

# Vaatwasser, 82 cm hoog

Type: GVW250L

Groene  
Keuze



## Specificaties

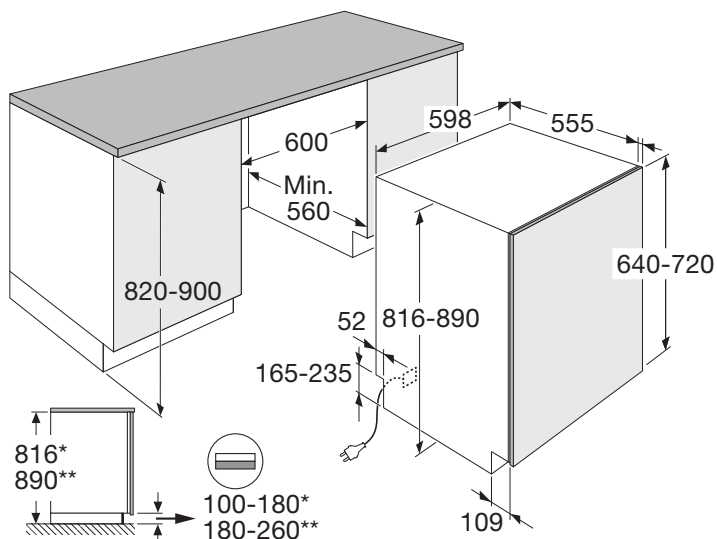
- 14 couverts; Flex bestekmandje
- 8 wasprogramma's
- Waterverbruik spaarprogramma 8,9 liter
- Geluidsniveau 39 dB(A)
- Energieklasse C
- Aansluitwaarde: 1900 W

## Gebruikersgemak

- LCD display met touch control
- Uitgestelde start van 1-24 uur
- Bovenkorf in hoogte verstelbaar (met volle belading)
- Handige wasprogramma's: Eco, intensief, SpeedWash
- AutoProgram: vuilsensoren meten de vervuilinggraad van het water en passen het wasprogramma daar automatisch op aan
- Extra opties voor wasprogramma's: extra hoge wastemperatuur (70 °C), tijdsduurverkortung
- NightProgram; extra stil wasprogramma van 37 dB(A)

## Schoonmaakgemak

- TotalDry; deur opent automatisch voor extra droogresultaat
- Zelfreinigingsprogramma; maakt vaatwasser automatisch schoon



EAN nummer: 8715393357298

# Product Information Sheet

COMMISSION DELEGATED REGULATION (EU) 2019/2017 with regard to energy labelling of household dishwashers

**Supplier's name or trade mark:** PELGRIM

**Supplier's address:** Pelgrim Service, Impact 83, 6921 RZ Duiven, NL

**Model identifier:** GVW250L

## General product parameters:

| Parameter  | Value | Parameter  | Value    |    |
|--|-------|--|----------|----|
| Rated capacity <sup>(a)</sup> (ps)   | 14    | Dimensions in cm   | Height   | 82 |
|  |       |  | Width    | 60 |
|  |       |  | Depth    | 56 |
| EEI <sup>(a)</sup>   | 43,5  | Energy efficiency class <sup>(a)</sup>   | C        |    |
| Cleaning performance index <sup>(a)</sup>  | 1,130 | Drying performance index <sup>(a)</sup>  | 1,070    |    |
| Energy consumption in kWh [per cycle], based on the eco programme using cold water fill. Actual energy consumption will depend on how the appliance is used. | 0,740 | Water consumption in litres [per cycle], based on the eco programme. Actual water consumption will depend on how the appliance is used and on the hardness of the water. | 8,9      |    |
| Programme duration <sup>(a)</sup> (h:min)  | 3:40  | Type   | Built-in |    |
| Airborne acoustical noise emissions <sup>(a)</sup> (dB(A) re 1 pW)   | 39    | Airborne acoustical noise emission class <sup>(a)</sup>  | B        |    |
| Off-mode (W) (if applicable)   | -     | Standby mode (W) (if applicable)   | 0,49     |    |
| Delay start (W) (if applicable)  | 3,99  | Networked standby (W) (if applicable)  | -        |    |

**Minimum duration of the guarantee offered by the supplier:** 24 months

## Additional information:

Weblink to the supplier's website, where the information in point 6 of Annex II to Commission Regulation (EU) 2019/2022 is found: <https://www.pelgrim.nl>

<sup>(a)</sup> for the eco programme.