

Vaatwasser XL, 86 cm hoog

Type: GVW230XLS

Groene
Keuze



Specificaties

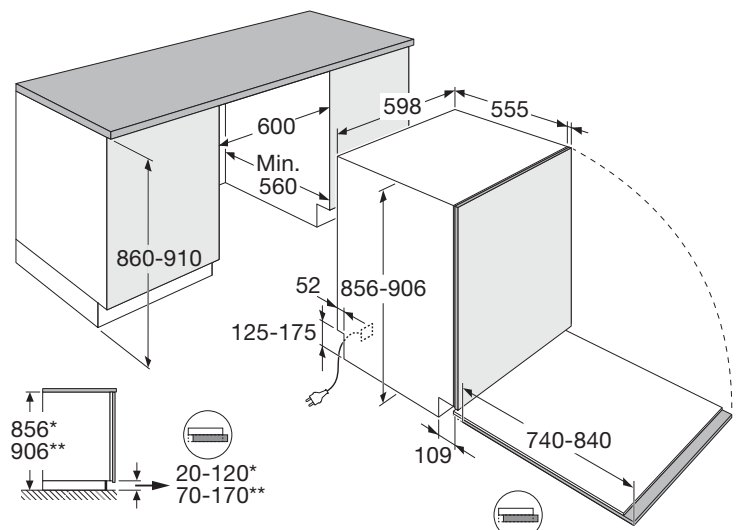
- 14 couverts; Flex bestekmandje
- 6 wasprogramma's
- Waterverbruik spaarprogramma 9,7 liter
- Geluidsniveau 44 dB(A)
- Energieklasse D
- Aansluitwaarde 1900 W

Gebruikersgemak

- LCD display met touch control
- Uitgestelde start van 1-24 uur
- Bovenkorf in hoogte verstelbaar (met volle belading)
- Handige wasprogramma's; Eco, intensief, SpeedWash
- AutoProgram: vuilsensoren meten de vervuilingsgraad van het water en passen het wasprogramma daar automatisch op aan
- Extra opties voor wasprogramma's: tijdsduurverkortung
- XL model; 86 cm hoog voor verhoogd aanrechtblad

Schoonmaakgemak

- TotalDry; deur opent automatisch voor extra droogresultaat
- Zelfreinigingsprogramma; maakt vaatwasser automatisch schoon



EAN nummer: 8715393357960

Product Information Sheet

COMMISSION DELEGATED REGULATION (EU) 2019/2017 with regard to energy labelling of household dishwashers

Supplier's name or trade mark: PELGRIM

Supplier's address: Pelgrim Service, Impact 83, 6921 RZ Duiven, NL

Model identifier: GVW230XLS

General product parameters:

Parameter	Value	Parameter	Value	
Rated capacity ^(a) (ps)	14	Dimensions in cm	Height	86
			Width	60
			Depth	56
EEI ^(a)	48,8	Energy efficiency class ^(a)	D	
Cleaning performance index ^(a)	1,130	Drying performance index ^(a)	1,070	
Energy consumption in kWh [per cycle], based on the eco programme using cold water fill. Actual energy consumption will depend on how the appliance is used.	0,830	Water consumption in litres [per cycle], based on the eco programme. Actual water consumption will depend on how the appliance is used and on the hardness of the water.	9,7	
Programme duration ^(a) (h:min)	3:10	Type	Built-in	
Airborne acoustical noise emissions ^(a) (dB(A) re 1 pW)	44	Airborne acoustical noise emission class ^(a)	B	
Off-mode (W) (if applicable)	-	Standby mode (W) (if applicable)	0,49	
Delay start (W) (if applicable)	3,99	Networked standby (W) (if applicable)	-	

Minimum duration of the guarantee offered by the supplier: 24 months

Additional information:

Weblink to the supplier's website, where the information in point 6 of Annex II to Commission Regulation (EU) 2019/2022 is found: <https://www.pelgrim.nl>

^(a) for the eco programme.