

# Vaatwasser, 82 cm hoog

Type: GVW221L



## Specificaties

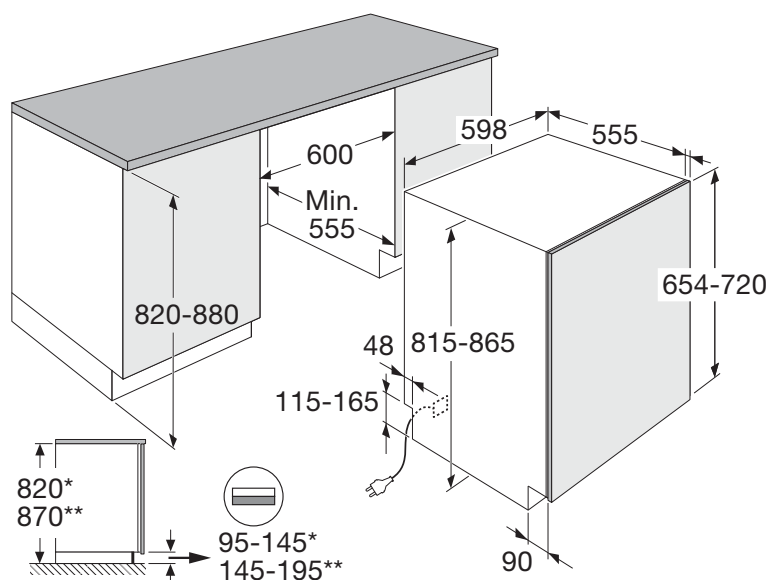
- 13 couverts
- 9 wasprogramma's
- Waterverbruik spaarprogramma 10,5 liter
- Geluidsniveau 44 dB(A)
- Energieklasse D
- Aansluitwaarde: 2100 W

## Schoonmaakgemak

- TotalDry; deur opent automatisch voor extra droogresultaat
- PowerStar sproeier: turbosproeier die het meest hardnekkige vuil wegspoelt

## Gebruikersgemak

- LED display met druktoetsen (RVS paneel)
- Uitgestelde start van 1-24 uur
- Bovenkorf in hoogte verstelbaar (met volle belading)
- Handige wasprogramma's: halve belading (handmatig), SpeedWash, intensief, eco
- AutoProgram: vuilsensoren meten de vervuilingsgraad van het water en passen het wasprogramma daar automatisch op aan
- 1 x LED-verlichting in de kuip voor optimaal zicht



EAN nummer: 8715393359520

# Product Information Sheet

COMMISSION DELEGATED REGULATION (EU) 2019/2017 with regard to energy labelling of household dishwashers

**Supplier's name or trade mark:** Pelgrim

**Supplier's address:** Pelgrim Service, Impact 83, 6921 RA Duiven, NL

**Model identifier:** GVW221L

## General product parameters:

Parameter	Value	Parameter	Value	
Rated capacity <sup>(a)</sup> (ps)	13	Dimensions in cm	Height	815
			Width	598
			Depth	555
EEI <sup>(a)</sup>	49,9	Energy efficiency class <sup>(a)</sup>	D	
Cleaning performance index <sup>(a)</sup>	1,125	Drying performance index <sup>(a)</sup>	1,065	
Energy consumption in kWh [per cycle], based on the eco programme using cold water fill. Actual energy consumption will depend on how the appliance is used.	0,836	Water consumption in litres [per cycle], based on the eco programme. Actual water consumption will depend on how the appliance is used and on the hardness of the water.	10,5	
Programme duration <sup>(a)</sup> (h:min)	3:18	Type	Built-in	
Airborne acoustical noise emissions <sup>(a)</sup> (dB(A) re 1 pW)	44	Airborne acoustical noise emission class <sup>(a)</sup>	B	
Off-mode (W) (if applicable)	0,49	Standby mode (W) (if applicable)	-	
Delay start (W) (if applicable)	1,00	Networked standby (W) (if applicable)	-	

**Minimum duration of the guarantee offered by the supplier:** 24 months

## Additional information:

Weblink to the supplier's website, where the information in point 6 of Annex II to Commission Regulation (EU) 2019/2022 is found: <https://www.pelgrim.nl/>

<sup>(a)</sup> for the eco programme.