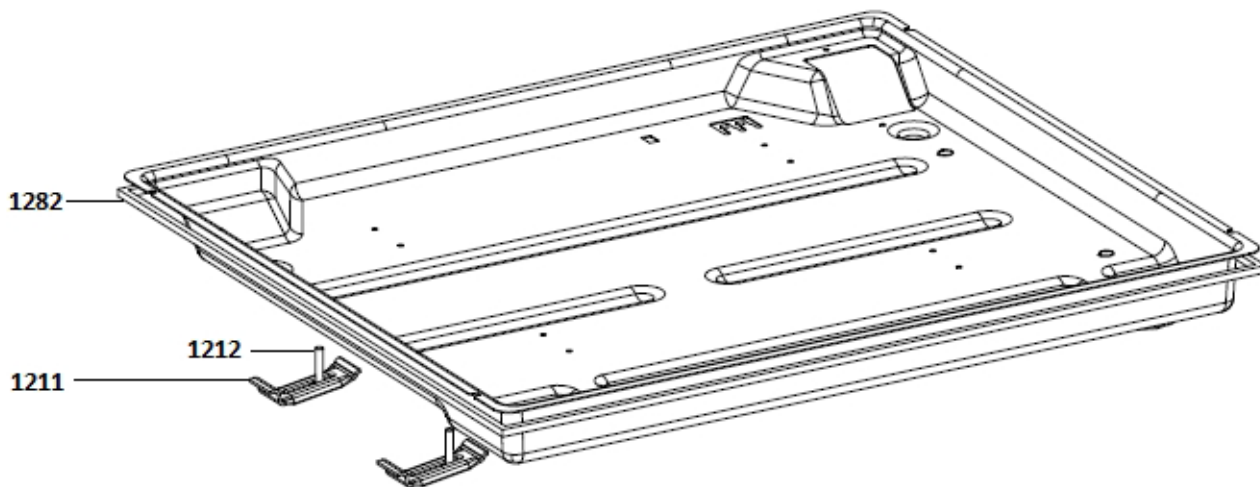
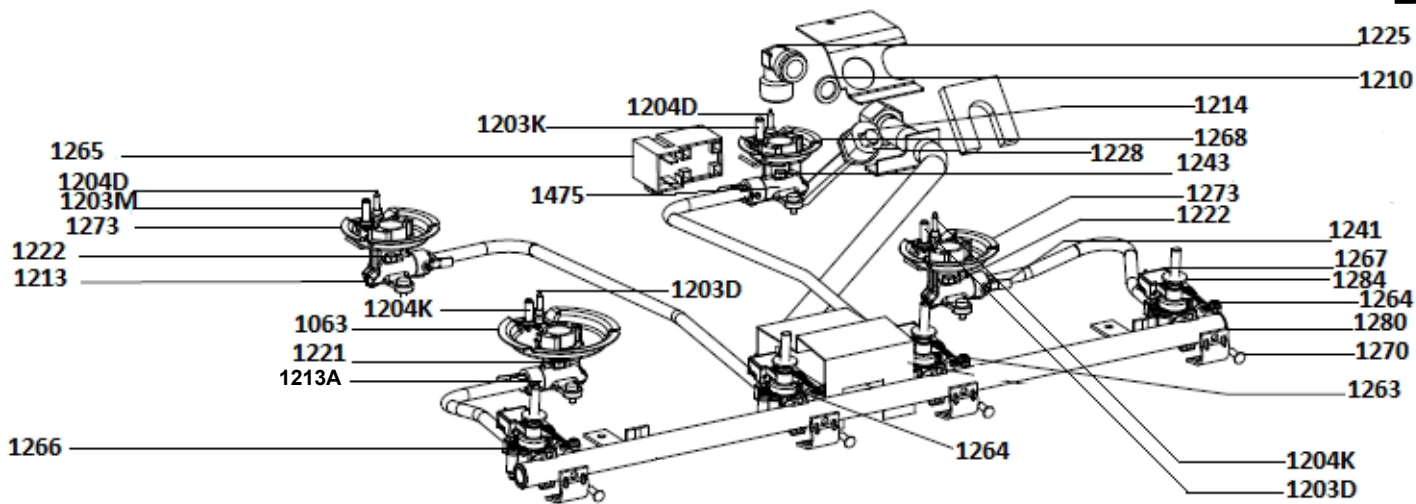


A

B



Position	Ident	Spare part description	Quantity	Price/pcs []	Validity	Asko
1221	477942	NOZZLE A134	1	0		
1222	477918	NOZZLE A108	2	0		
1225	263703	KNEE 1/2 OUT(STR)-OUT(CON) 900 G1/2XR1/2	1	0		
1227	263577	GASKET O-RING 7.65X1.63 GASTAP 7,65X1,63	8	0		
1228	460187	SUPPLY CORD ATAG HG6	1	0		
1241	272709	CLAMPSRING BURNERPIPE	4	0		
1243	272726	NOZZLE A077	1	0		
1263	310448	GAS TAP CAL22100 040 RD	1	0		
1264	310450	GAS TAP CAL22100 045 YE	2	0		
1265	272828	IGNITION DEVICE 4P BF80046-N00 230V	1	0		
1266	310451	GAS TAP CAL22100 053 GN	1	0		
1267	457143	IGNITION DEVICE SWITCH 4XHG64/GK964	1	0		
1270	331223	SCREW M4X16-4.6 H-A2F-ATAG	4	0		
1278	438226	MANIFOLD HG64 G	1	0		
1280	272837	GAS TAP CLAMP D16/21	4	0		
1284	317969	WASHER	4	0		