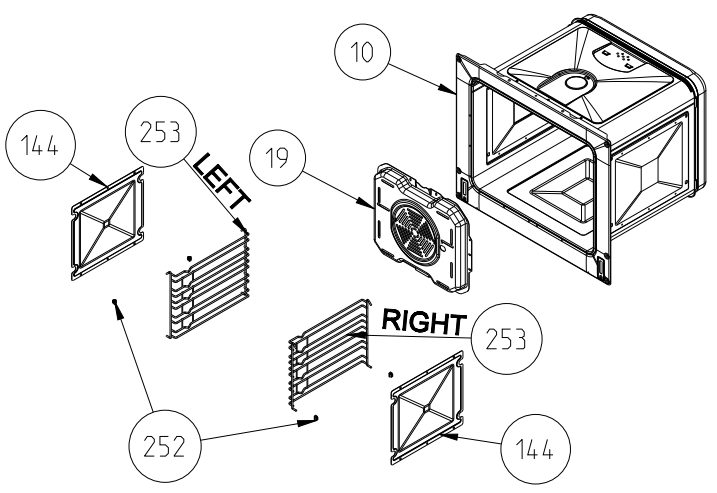
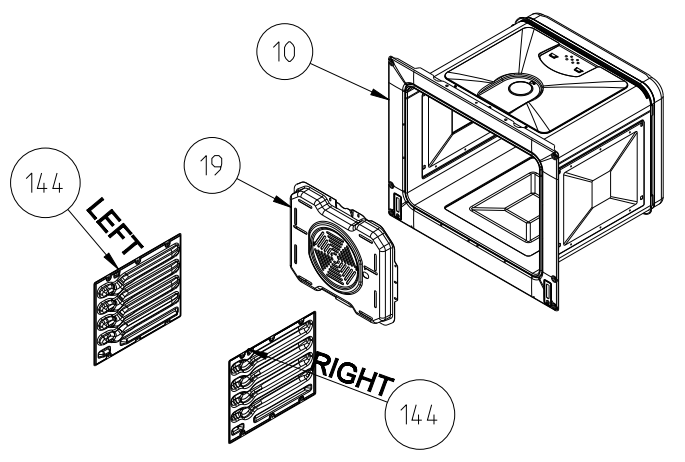


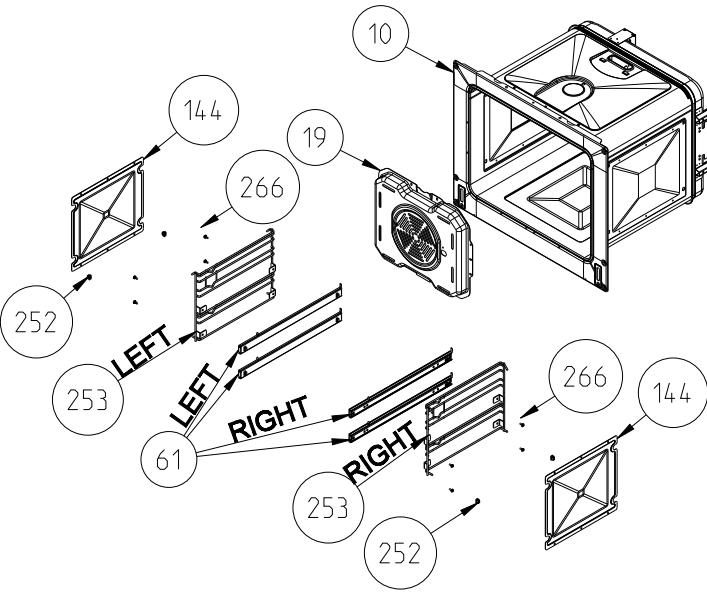
FOR THE PRODUCT WHICH HAS A+ ENERGY CLASS



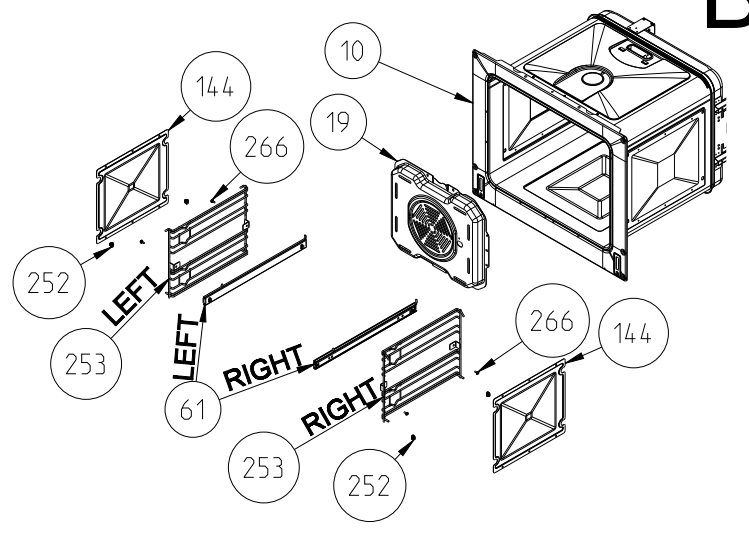
WIRE SHELF CAVITY ASSEMBLY WITH / WITHOUT CATALYTIC PANEL (OPTIONAL)



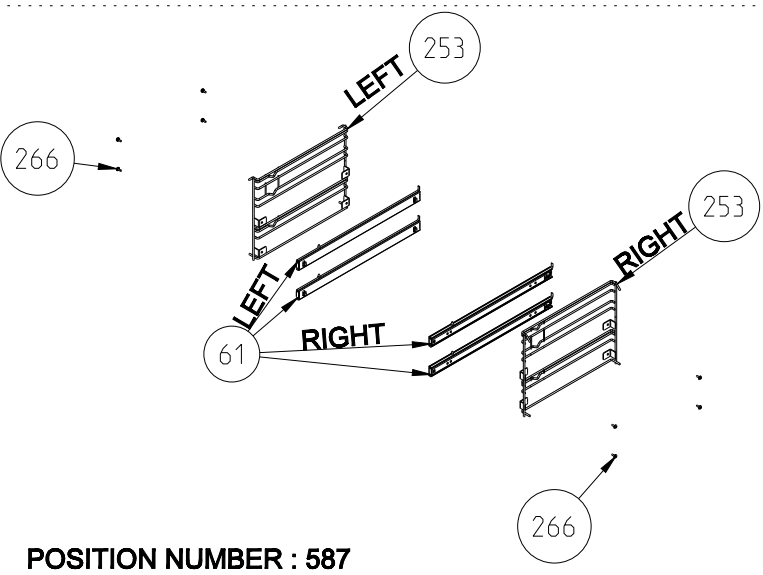
CAVITY ASSEMBLY WITH CATALYTIC SHELF (OPTIONAL)



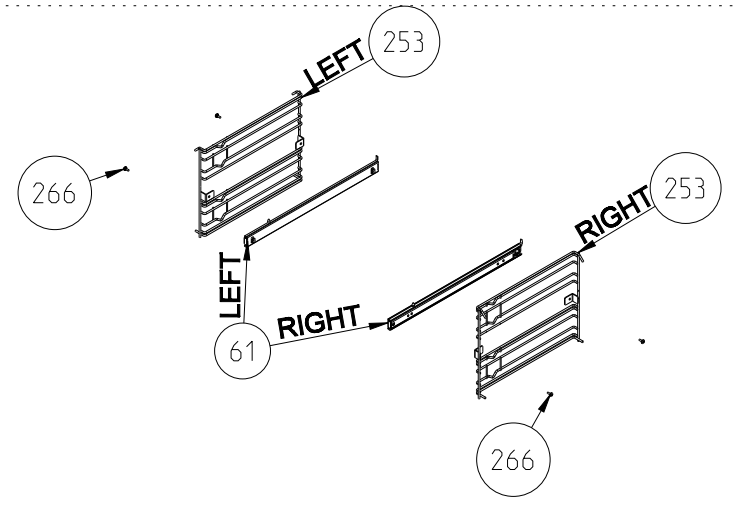
**WIRE SHELF CAVITY ASSEMBLY
WITH/ WITHOUT CATALYTIC PANEL
OPTIONAL:DOUBLE TELESCOPIC RAIL (R / L)**



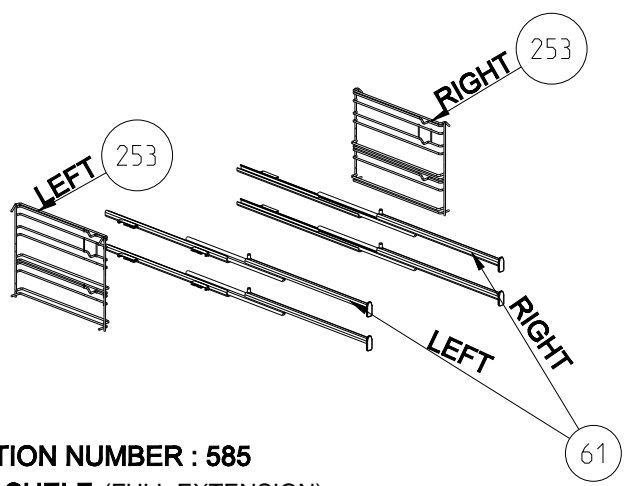
**WIRE SHELF CAVITY ASSEMBLY
WITH/ WITHOUT CATALYTIC PANEL
OPTIONAL:TELESCOPIC RAIL (R / L)**



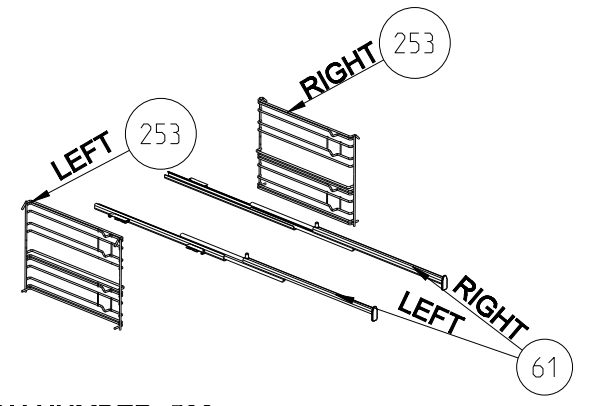
**POSITION NUMBER : 587
WIRE SHELF (SINGLE EXTENSION)
OPTIONAL:DOUBLE TELESCOPIC RAIL (R / L) GROUP**



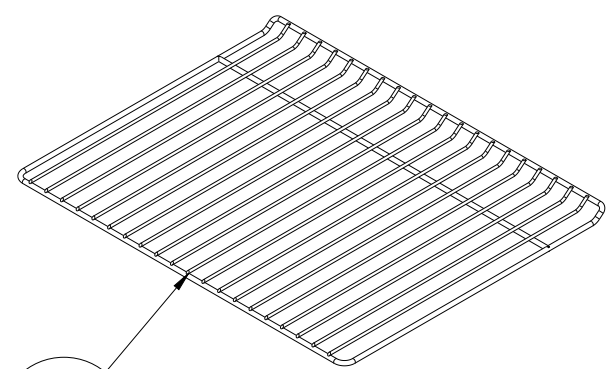
**POSITION NUMBER : 588
WIRE SHELF (SINGLE EXTENSION)
OPTIONAL: SINGLE TELESCOPIC RAIL (R / L) GROUP**



**POSITION NUMBER : 585
WIRE SHELF (FULL EXTENSION)
OPTIONAL:DOUBLE TELESCOPIC RAIL (R / L) GROUP**

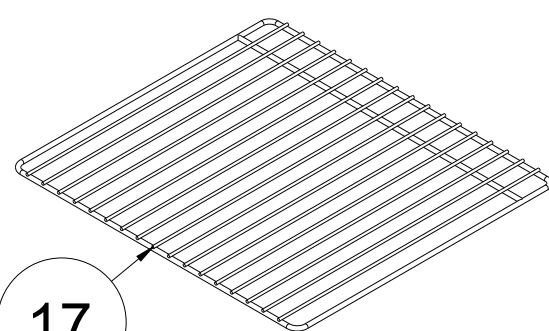


**POSITION NUMBER: 586
WIRE SHELF (FULL EXTENSION)
OPTIONAL: SINGLE TELESCOPIC RAIL (R / L) GROUP**



17

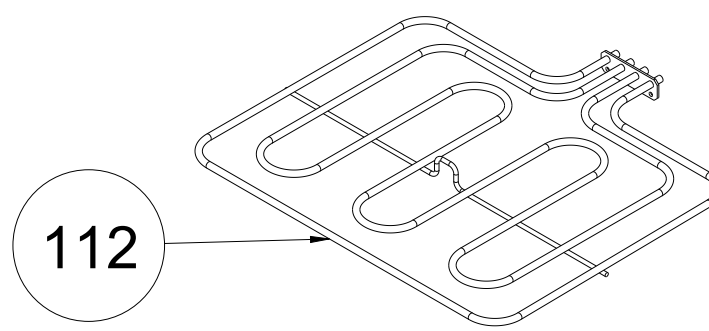
LOCKED



17

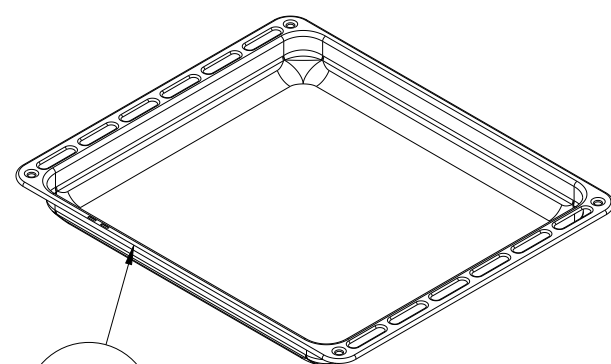
W. TELESCOPIC RAIL

GRID (OPTIONAL)



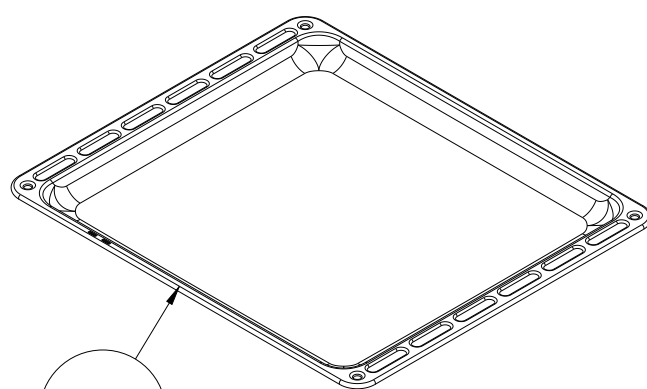
112

TOP AND GRILL HEATING ELEMENT (OPTIONAL)



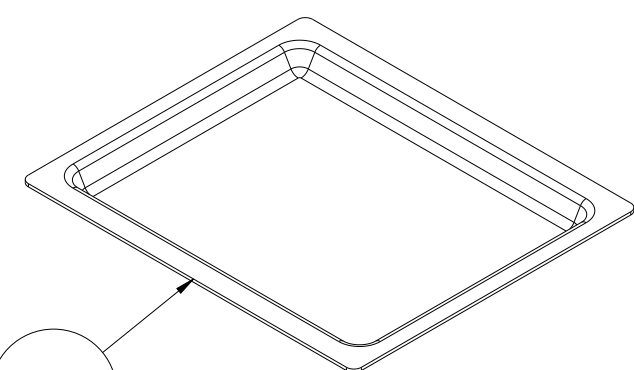
15

DEEP



15

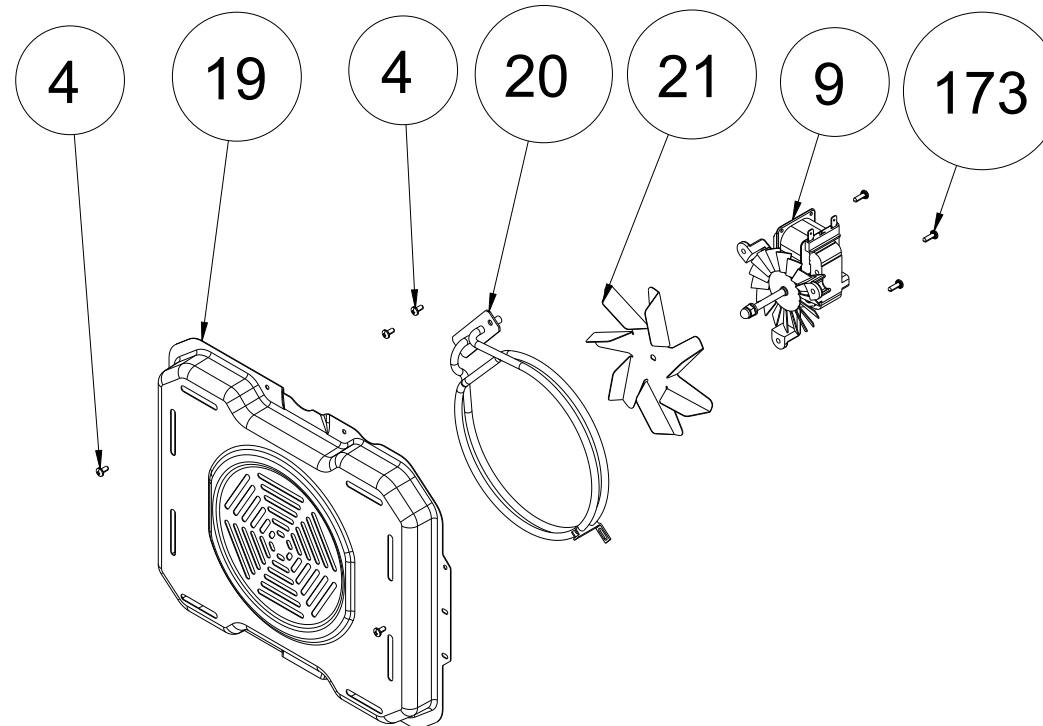
SHALLOW



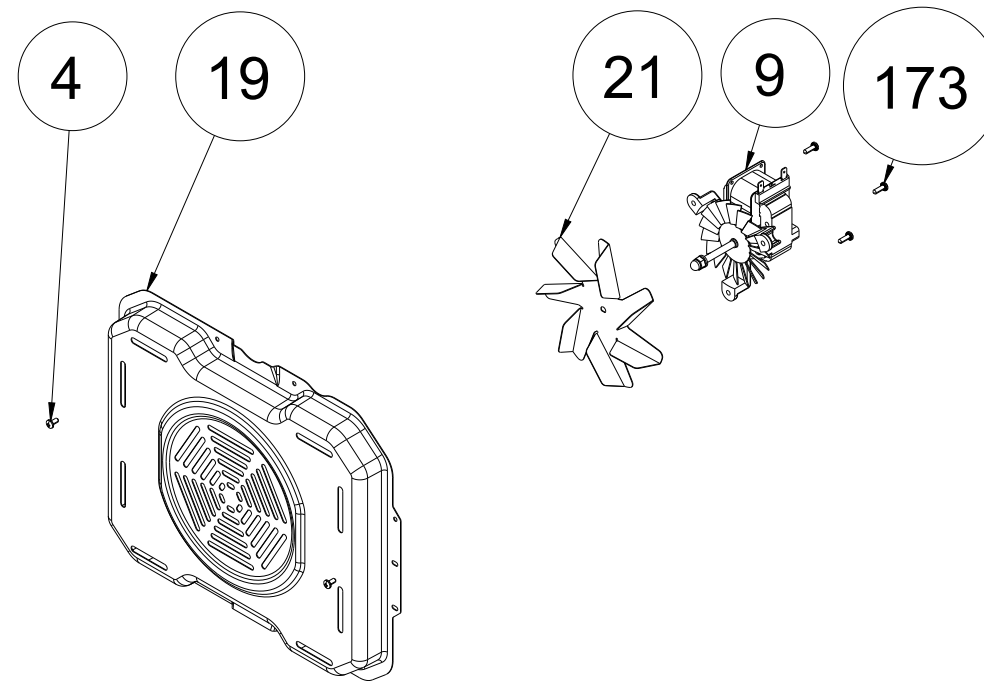
15

GLASS

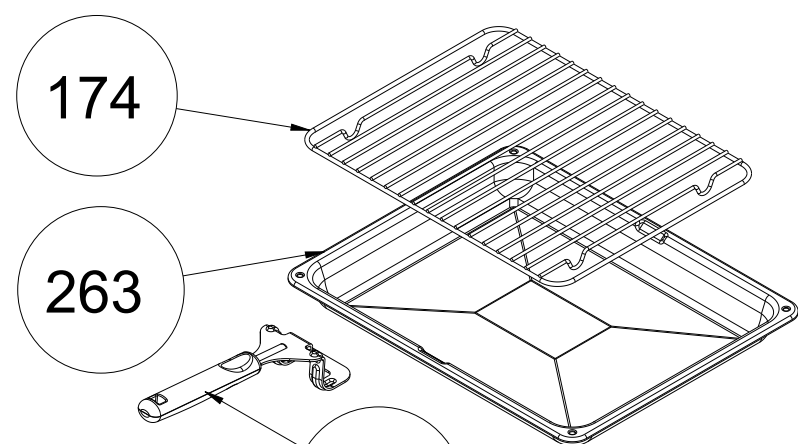
TRAYS (OPTIONAL)



RING HEATING ELEMENT WITH FAN (OPTIONAL)



(FAN COVER/ FAN IMPELLER(6 WINGS) / FAN MOTOR) (OPTIONAL)

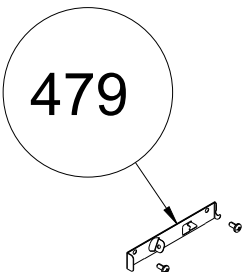


174

263

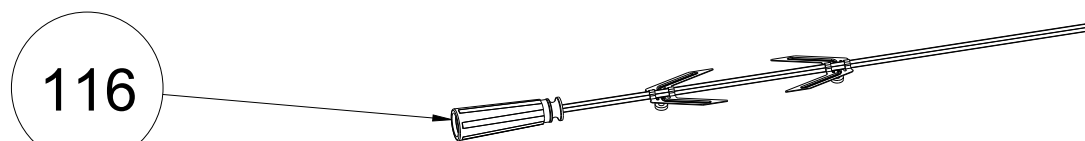
264

GRILL PAN AND HANDLE SET (TRAY SET FOR GRILL) - POSITION NO 265 (OPTIONAL)



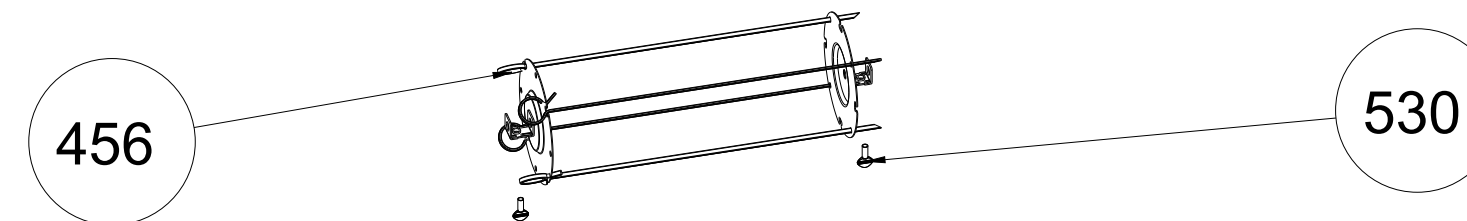
479

THERMST BULB HOLDER/BRACKET



116

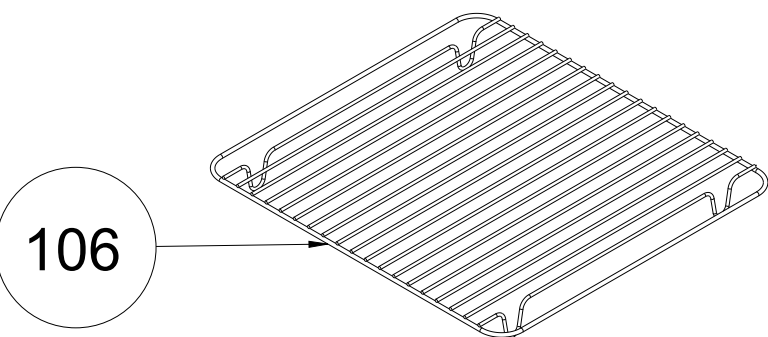
TURNSPIT SKEWER



456

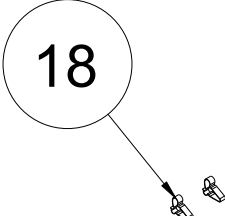
530

SHISH KEBAB ACCESSORY (OPTIONAL)

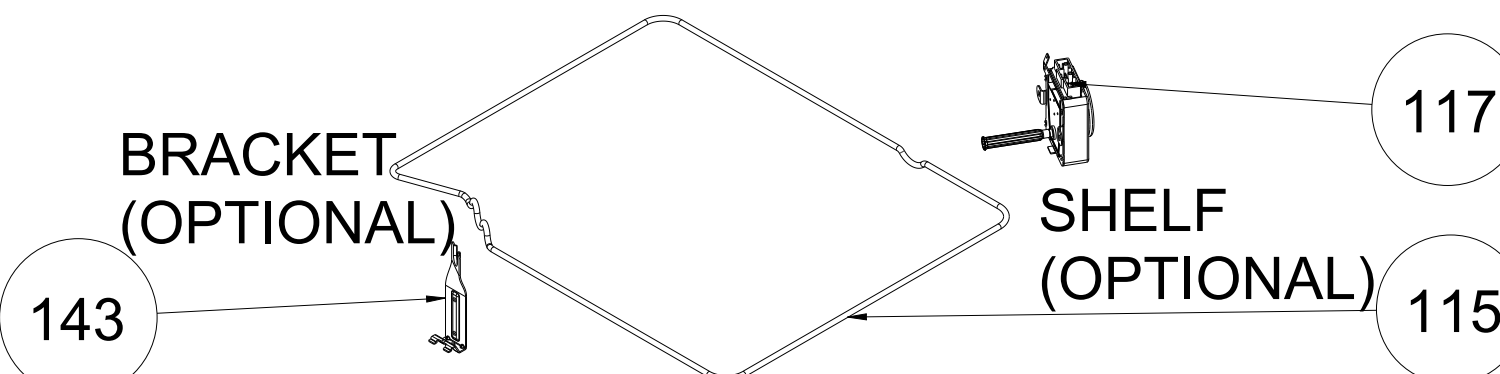


106

DEEP TRAY GRID (OPTIONAL)



18



143

117

115

BRACKET (OPTIONAL)

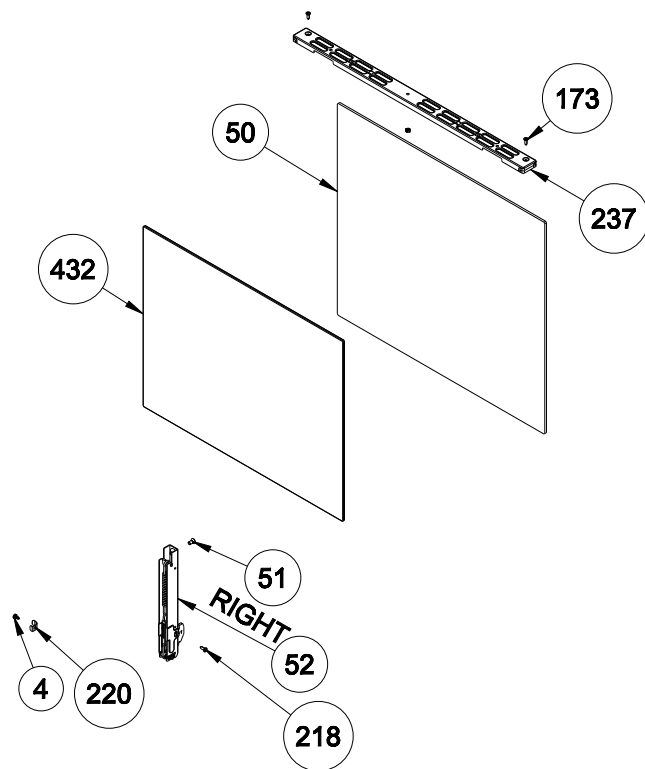
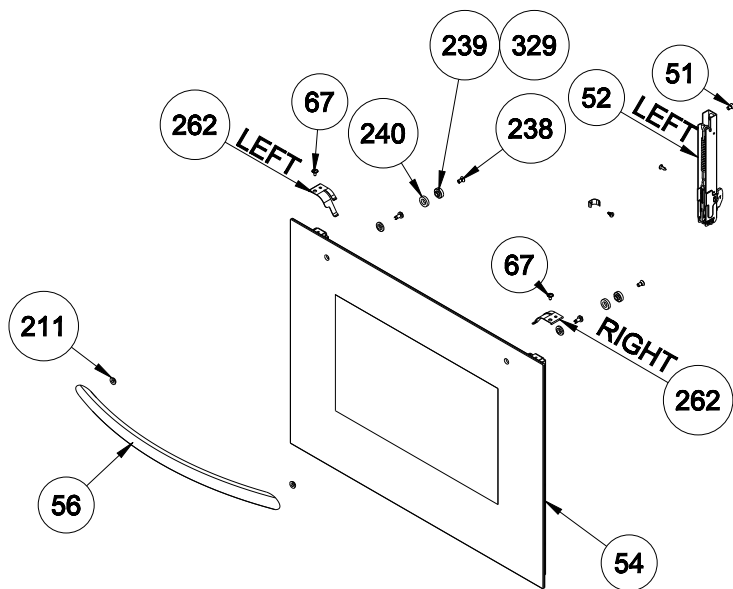
SHELF (OPTIONAL)

TURNSPIT (OPTIONAL)

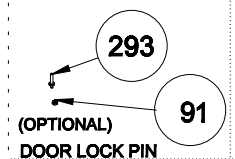
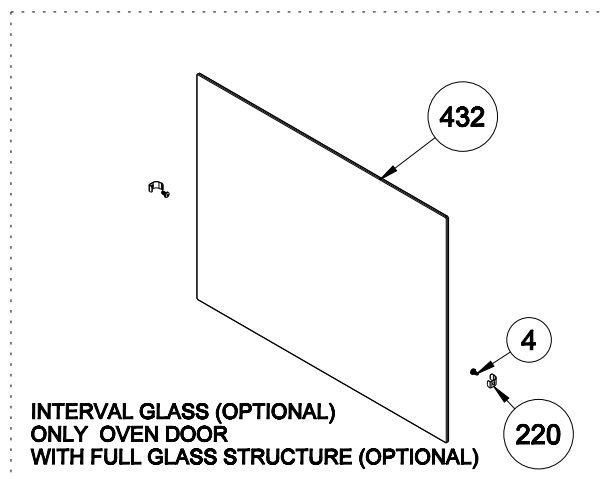
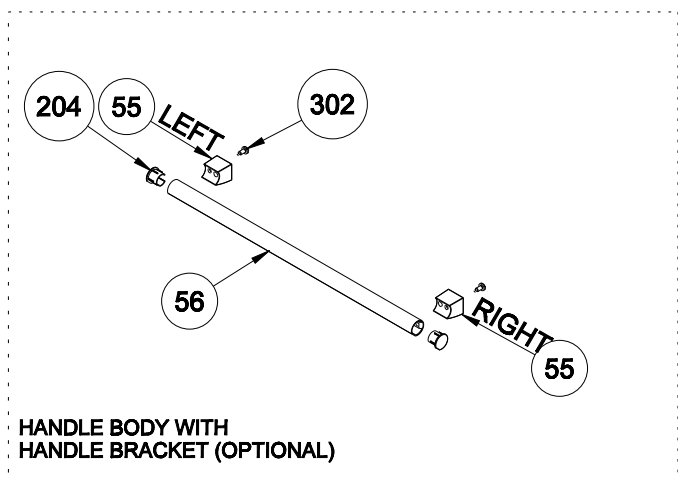
OVEN DOOR ASSEMBLY EXPLODED VIEW (OPTIONAL)

D

POSITION
NUMBER :377
(DOOR)



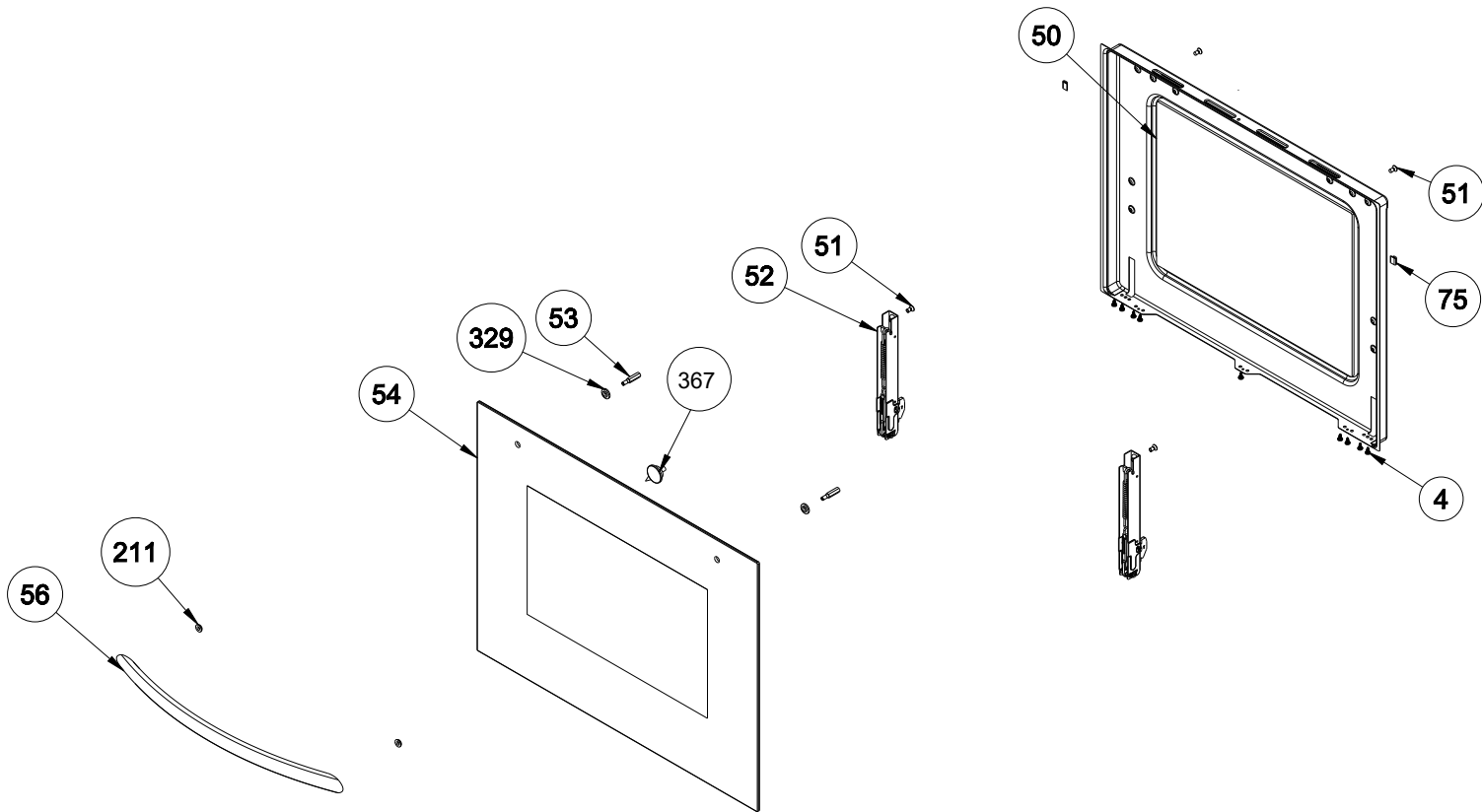
Note :
220,239,240,432 is for Removable Third Glass Versions
262,67 is for Removable Glass Versions



SOLID TYPE OVEN DOOR ASSEMBLY EXPLODED VIEW (FRONT VIEW OF GLASS) (OPTIONAL)

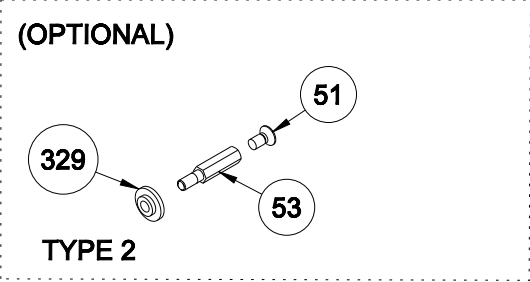
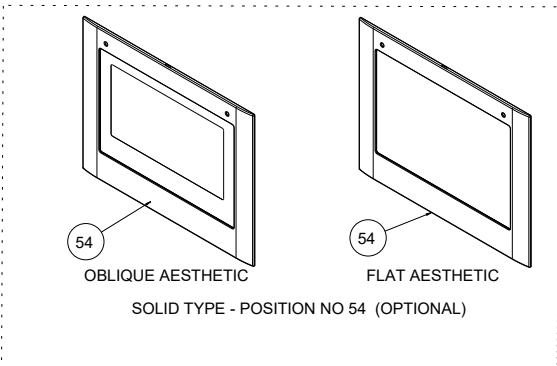
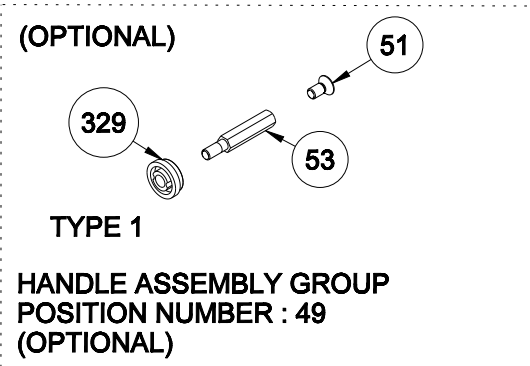
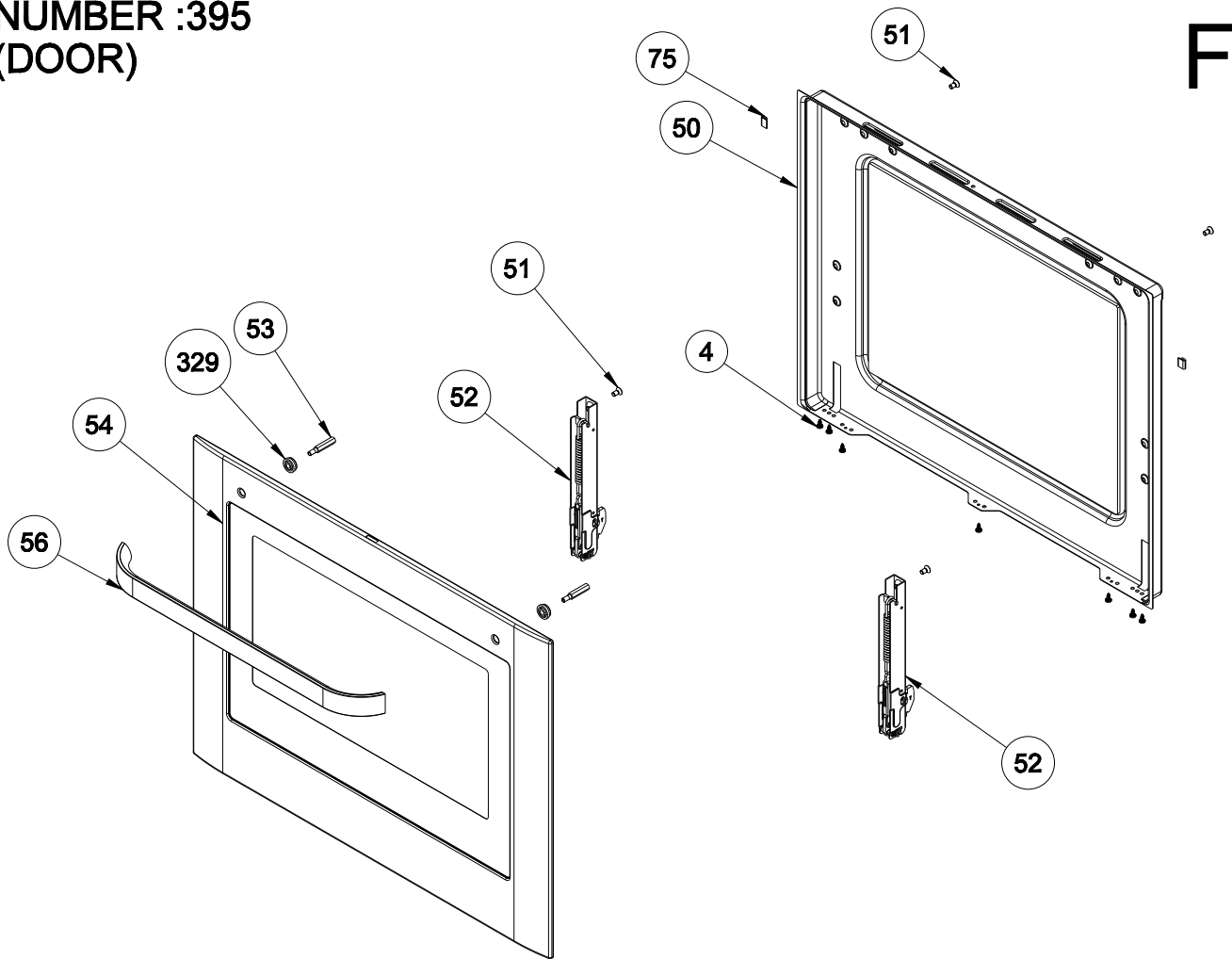
E

POSITION
NUMBER :376
(DOOR)

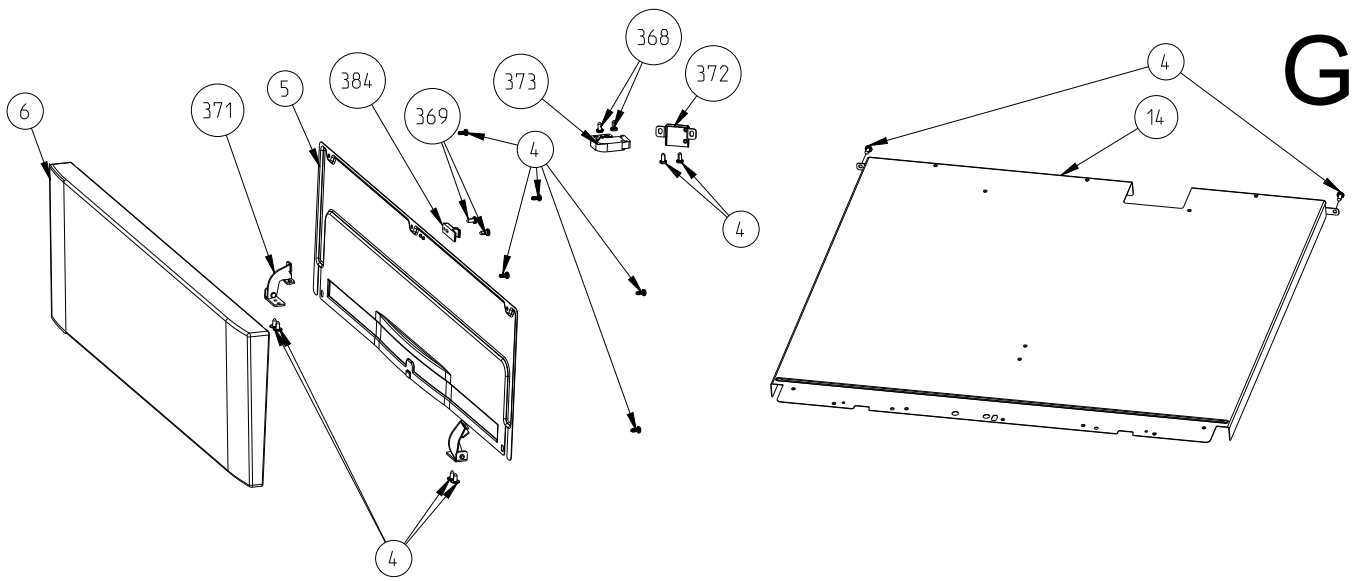


SOLID TYPE OVEN DOOR ASSEMBLY EXPLODED VIEW (FRONT VIEW OF METAL WITH GLASS) (OPTIONAL)

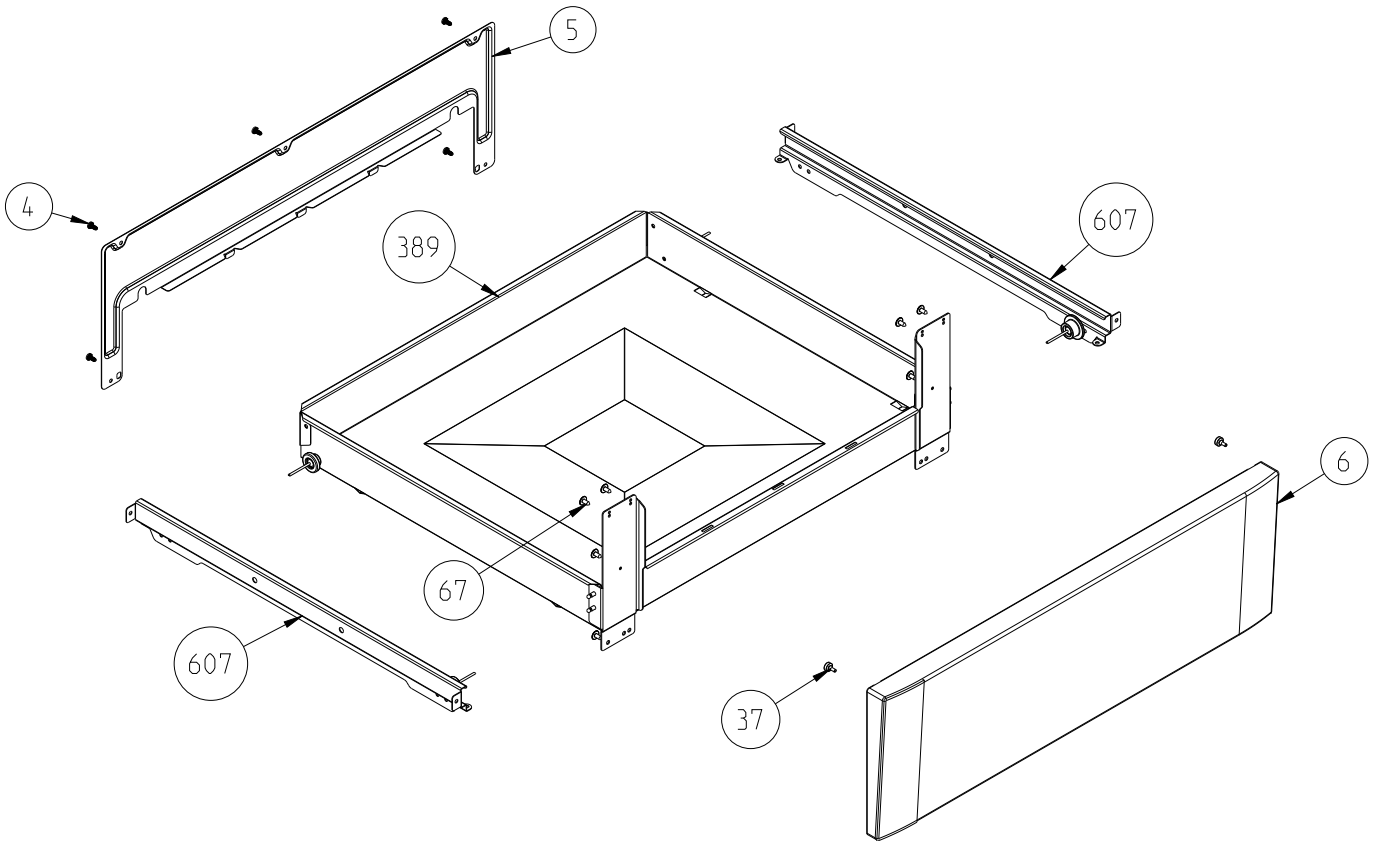
**POSITION
NUMBER :395
(DOOR)**



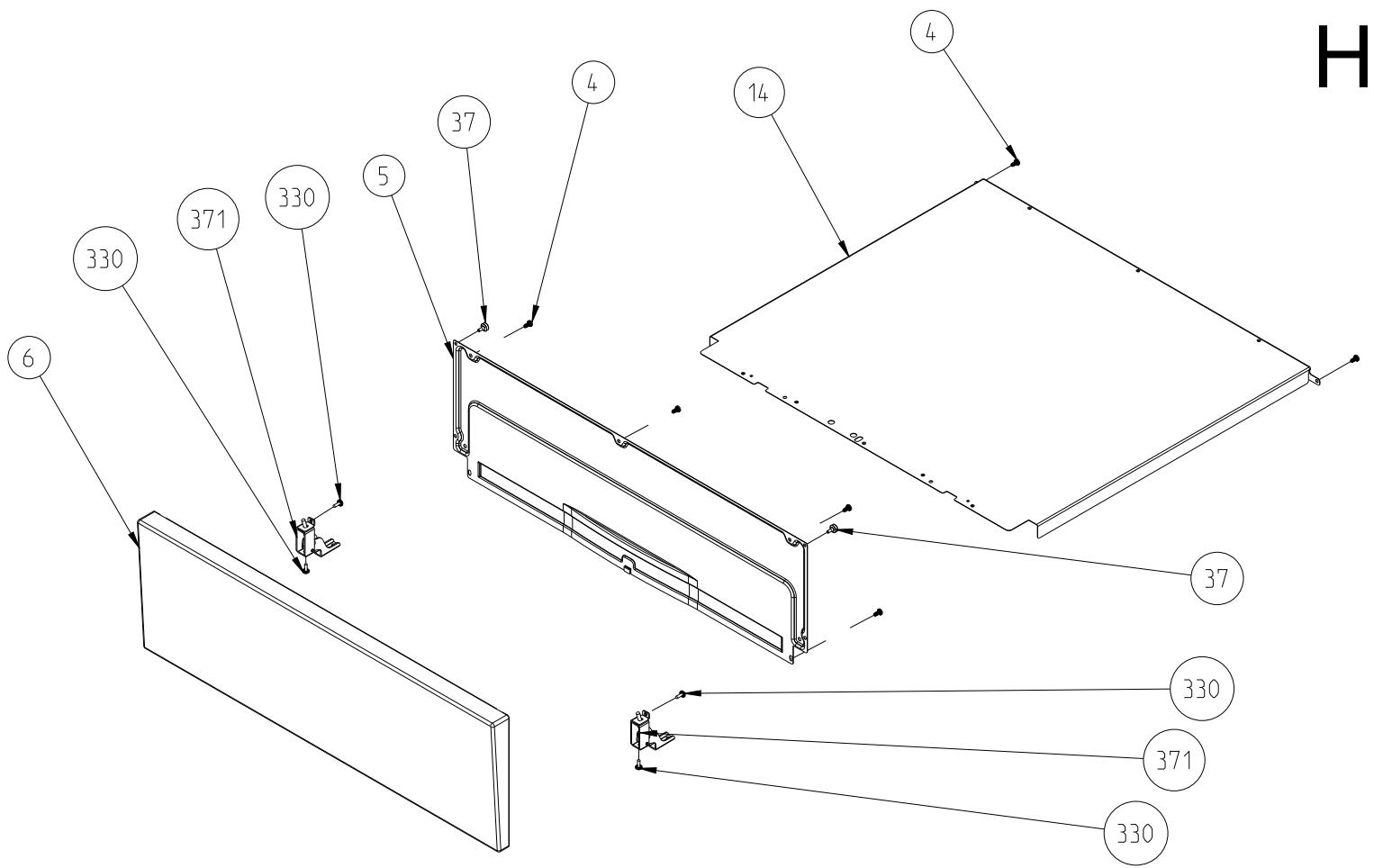
HANDLE ASSEMBLY GROUP
POSITION NUMBER : 49
(OPTIONAL)



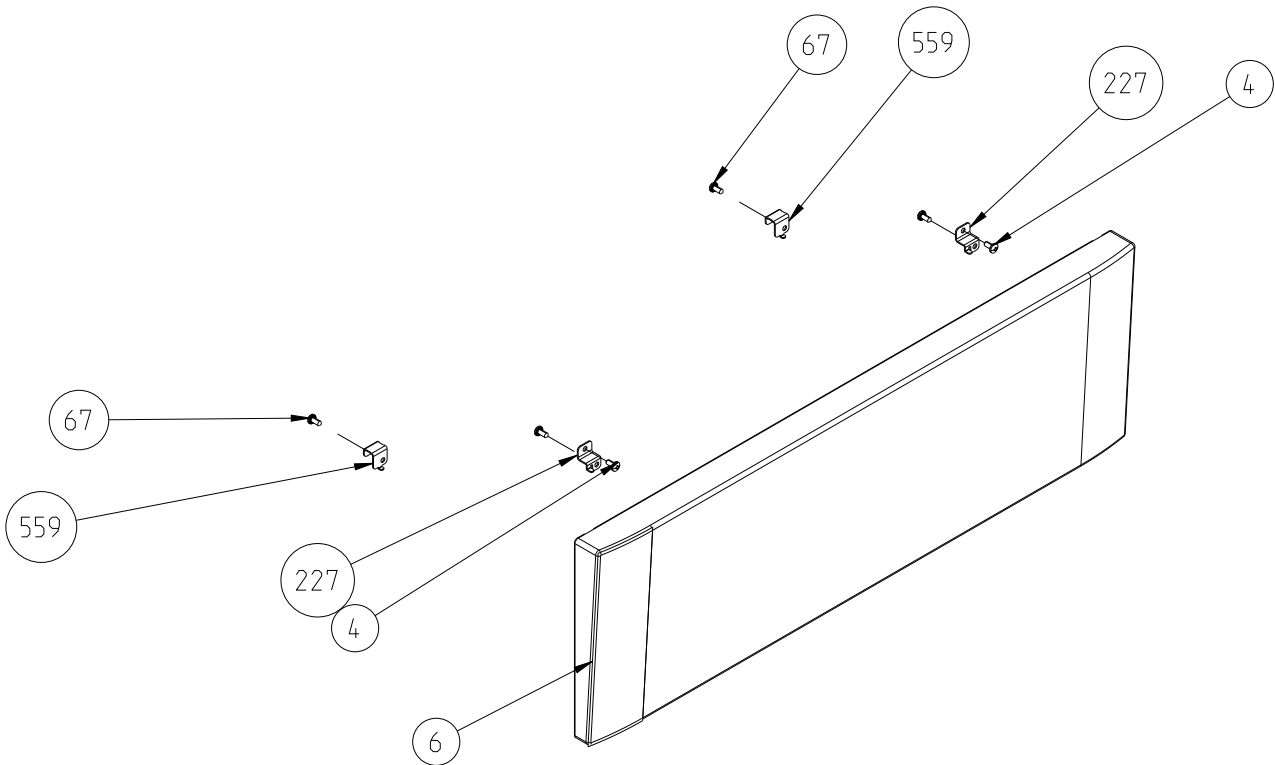
PUSH PULL FLAP DRAWER ASSEMBLY (OPTIONAL)



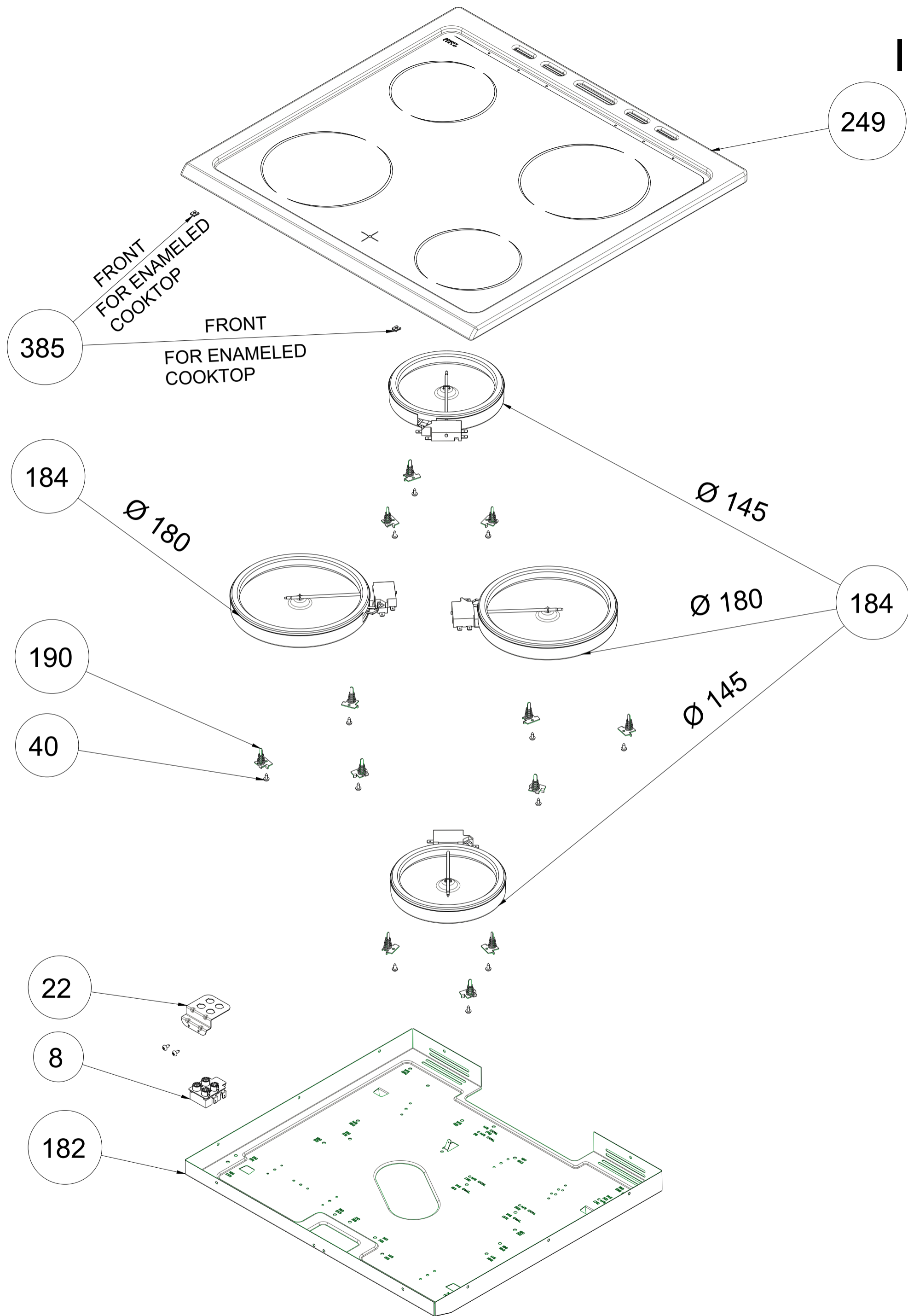
4WG DRAWER ASSEMBLY (OPTIONAL)



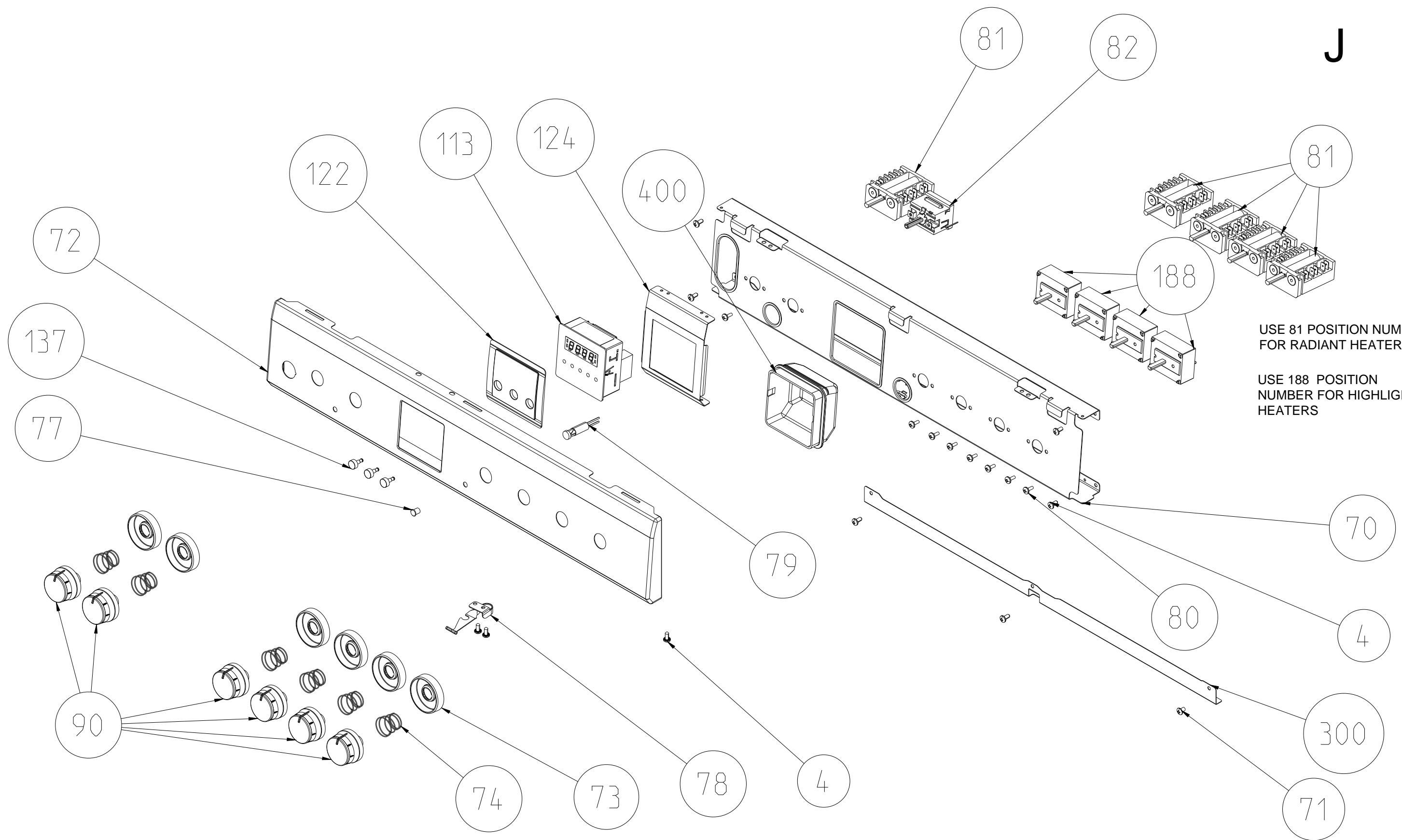
YNTB FLAP DRAWER ASSEMBLY



**FIXED DRAWER ASSEMBLY
(OPTIONAL)**

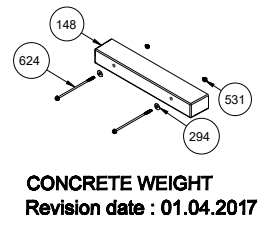
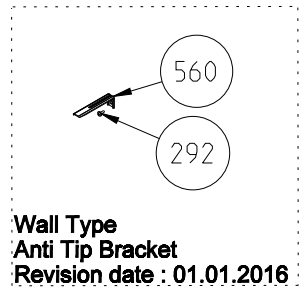
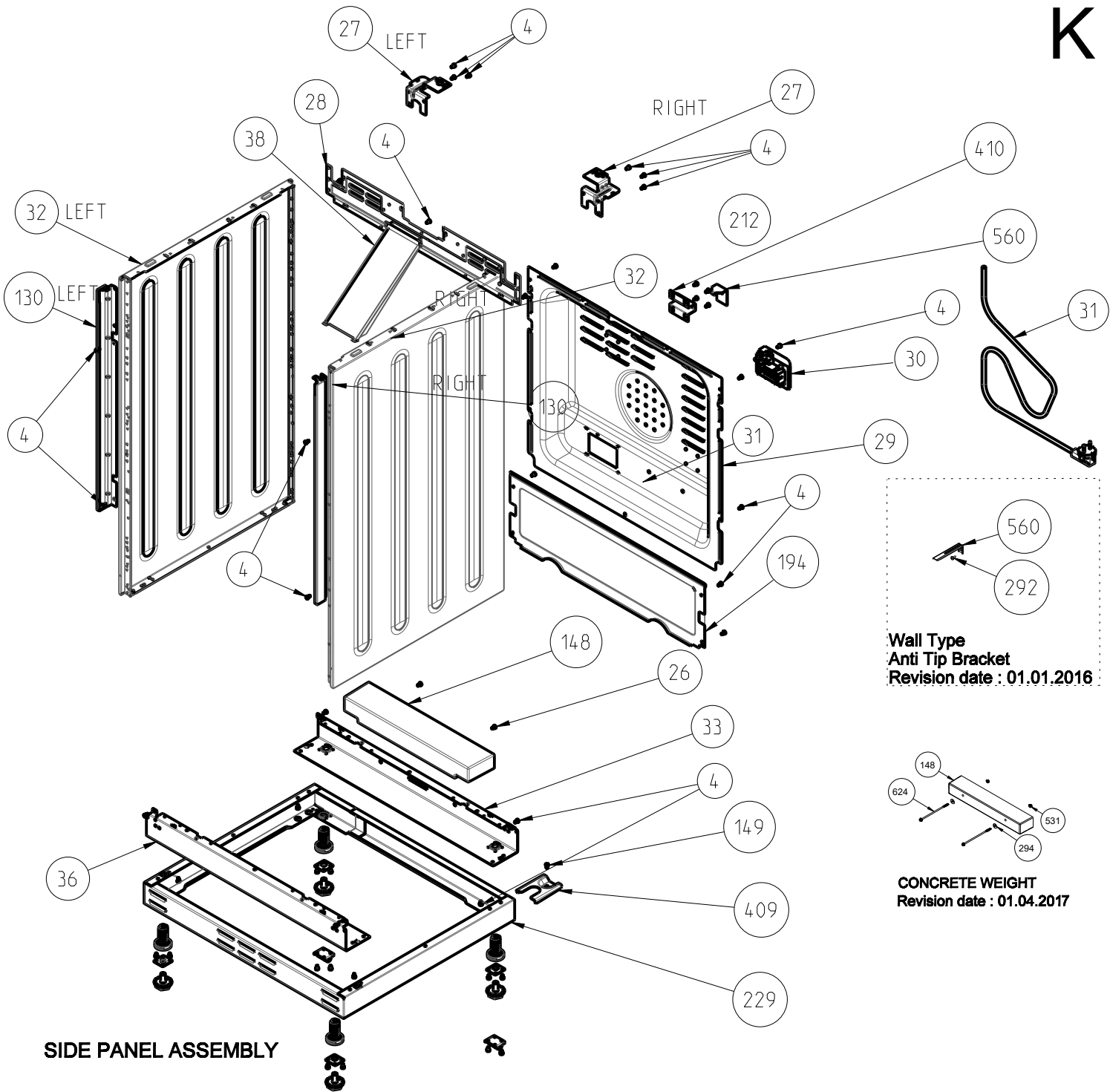


J

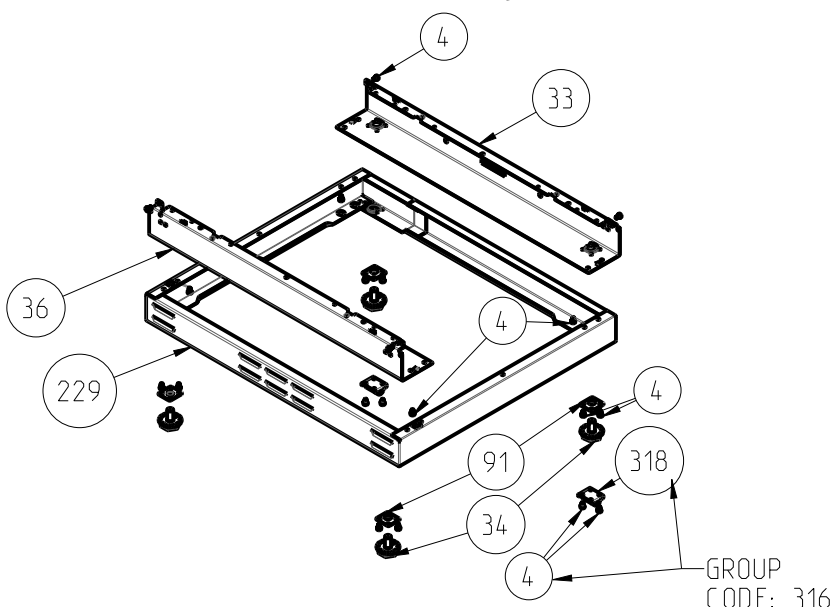


USE 81 POSITION NUMBER FOR RADIANT HEATERS

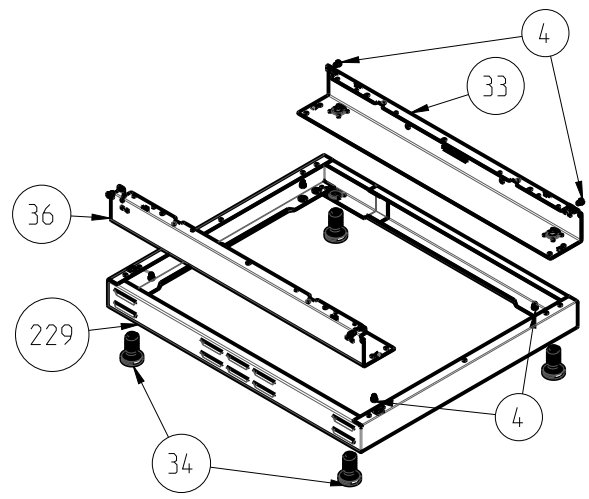
USE 188 POSITION NUMBER FOR HIGHLIGHT HEATERS



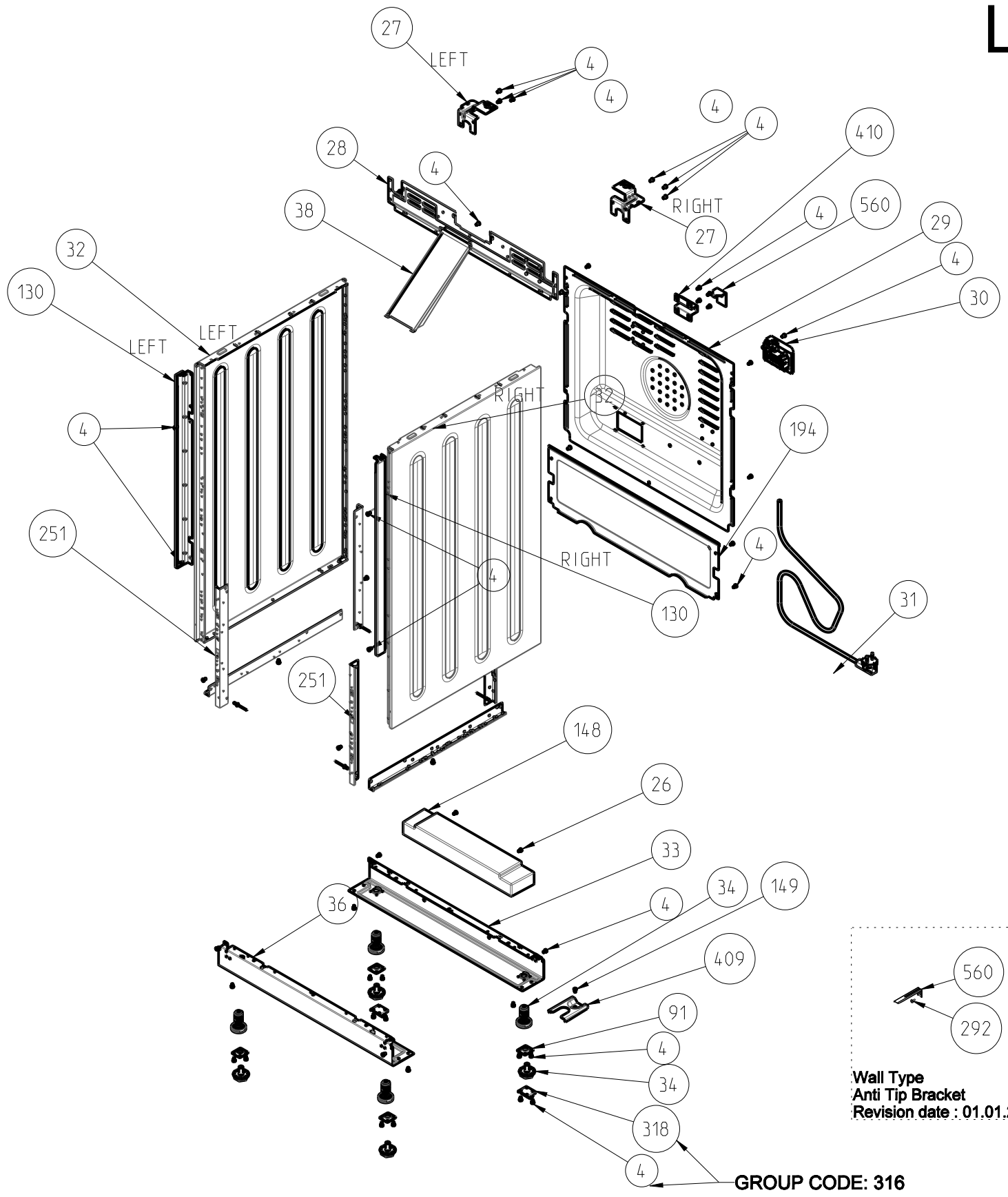
SIDE PANEL ASSEMBLY



METAL BOLT ADJUSTABLE LEG



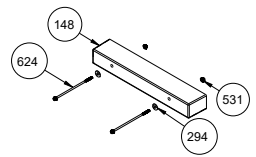
STANDARD PLASTIC ADJUSTABLE LEG



YNTB 85 CM SIDE PANEL ASSEMBLY

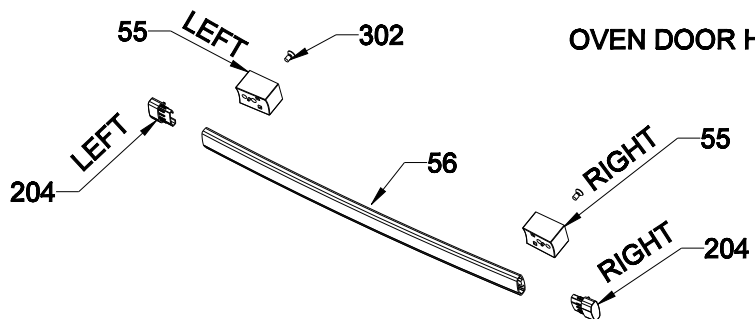
Wall Type
Anti Tip Bracket
Revision date : 01.01.2016

GROUP CODE: 316

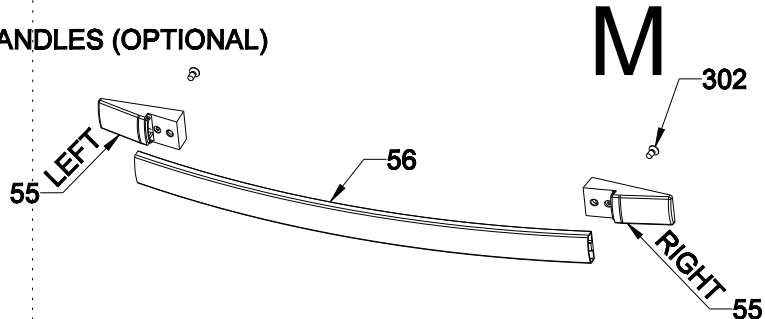


CONCRETE WEIGHT
Revision date : 01.04.2017

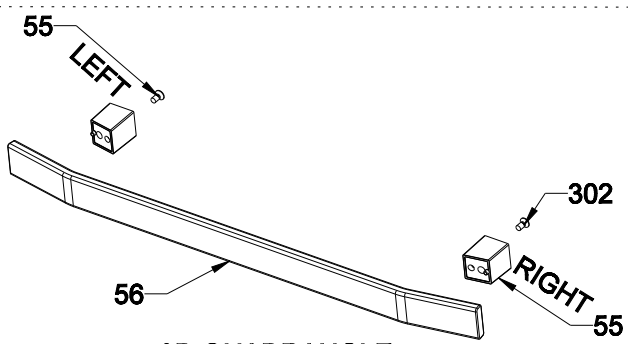
OVEN DOOR HANDLES (OPTIONAL)



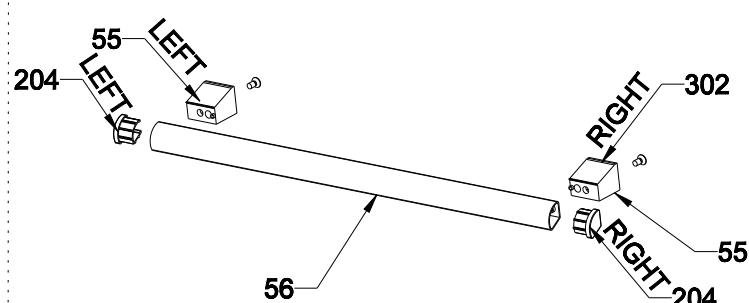
CURVED QUADRANGLE



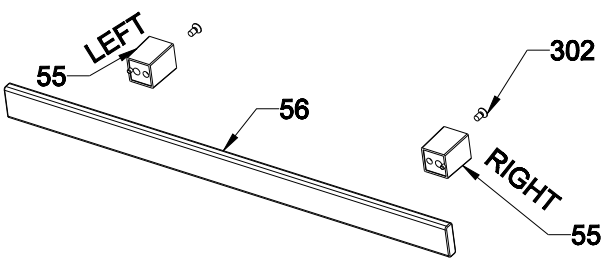
ARC QUADRANGLE



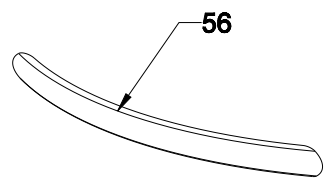
3D QUADRANGLE



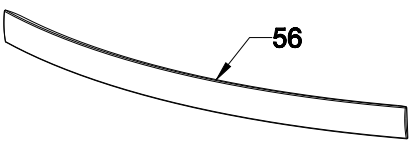
FLAT SLICE



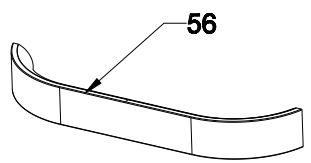
FLAT QUADRANGLE



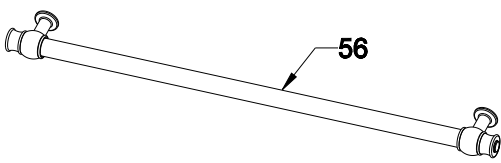
ELLIPSE ARC



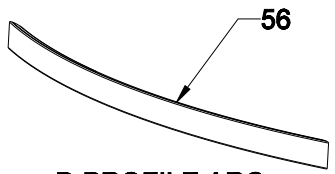
D PROFILE ARC, ELECTROLUX



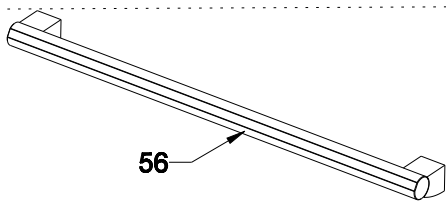
BOW



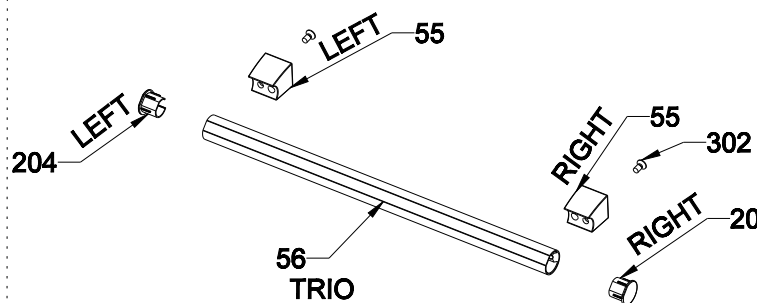
RUSTIK RISUS



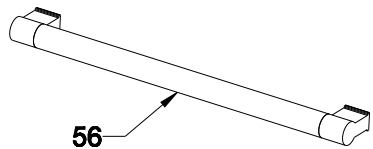
D PROFILE ARC



METALUX

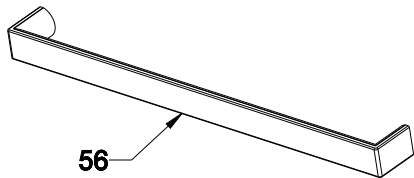


TRIO



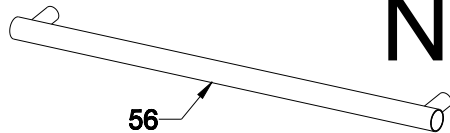
56

TROY



56

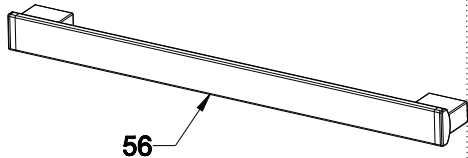
VERO



56

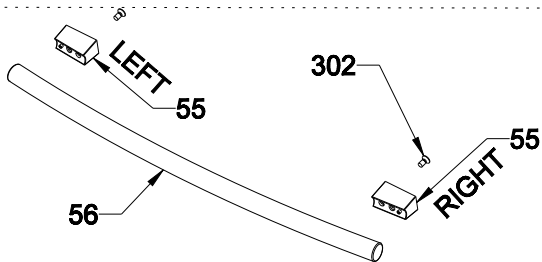
N

CYLINDER



56

JUNO VESTEL ONLY



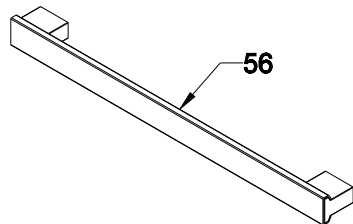
56

LEFT 55

302

RIGHT 55

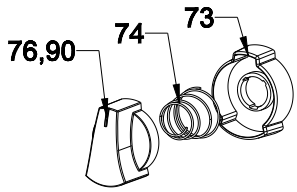
ARC TUBE



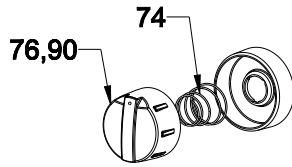
56

TITAN VESTEL & SHARP ONLY

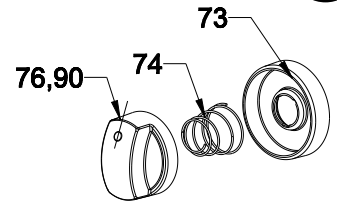
KNOBS (NEW FREESTANDING OVEN ONLY - OPTIONAL)



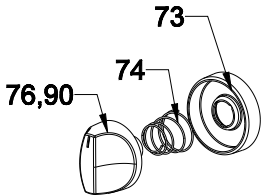
DELTA RING



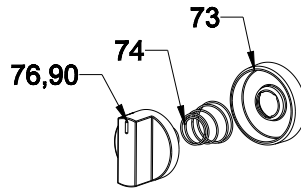
ANTERO



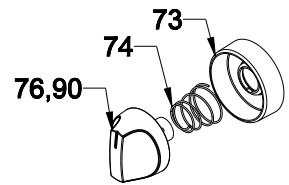
ECLIPSE RING



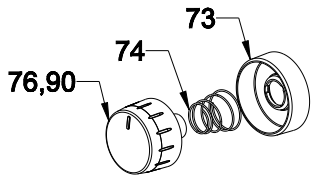
GAMA RING



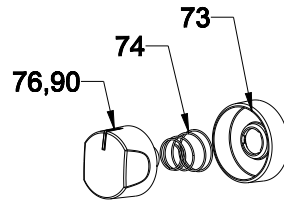
NORD RING



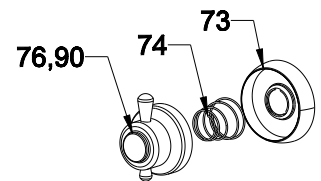
PELGIRIM



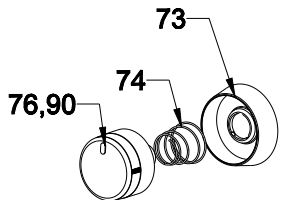
OMEGA



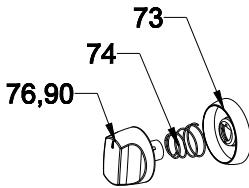
RIMO RING



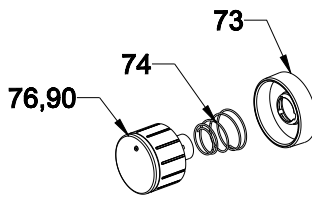
RUSTIK RISUS RING



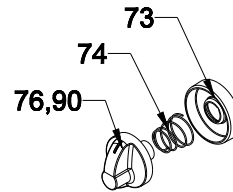
SIGMA



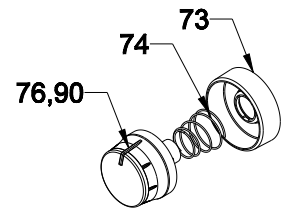
TRIO



SMALL MACRO RING



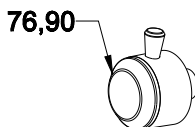
VARIO RING



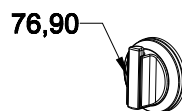
SPEKTRUM



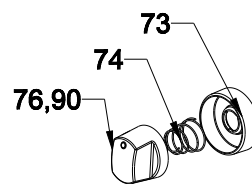
AGA CLASSIC ONLY



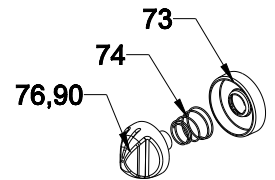
AGA KITCHENER ONLY



AGA PROFESSIONAL ONLY



VESTA



ZETA RING