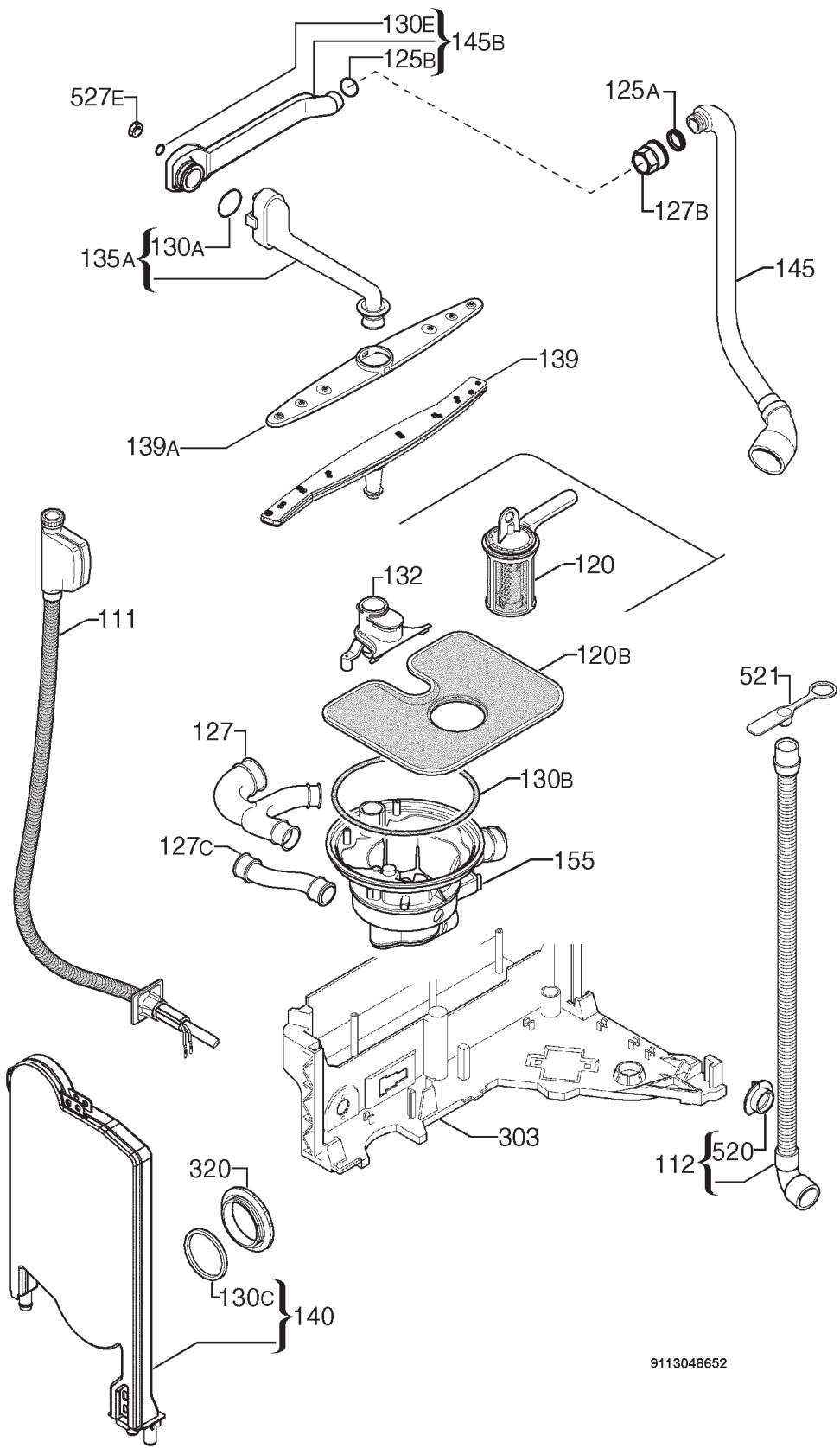
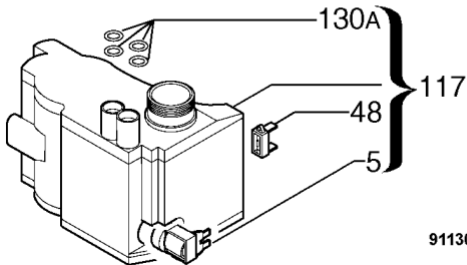
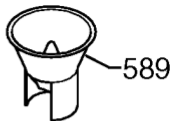
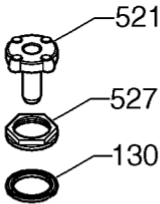
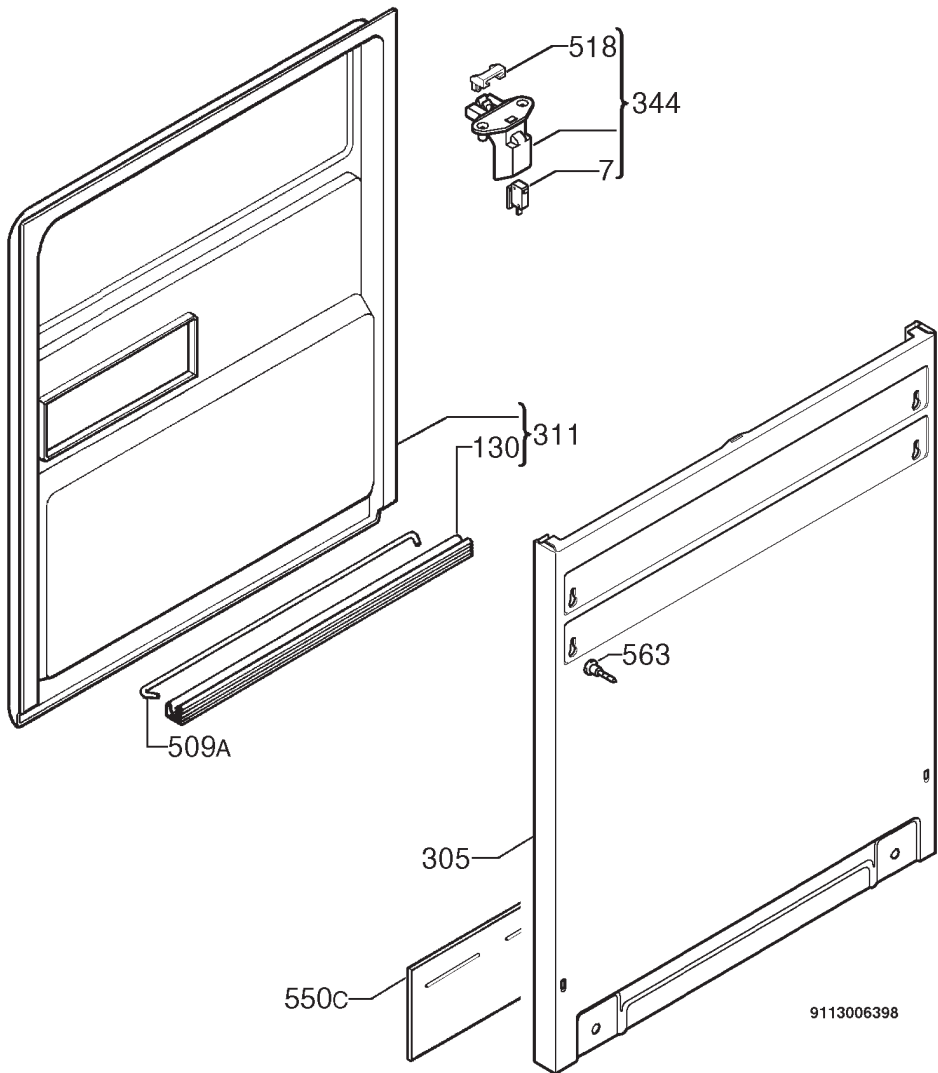


9113065065



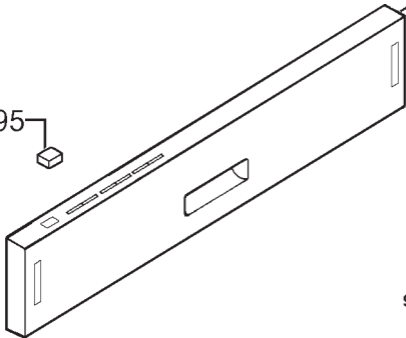


9113021581



9113006398

595

A small, square-shaped component with a slightly raised top surface, positioned below the main assembly.

510

9113031551

