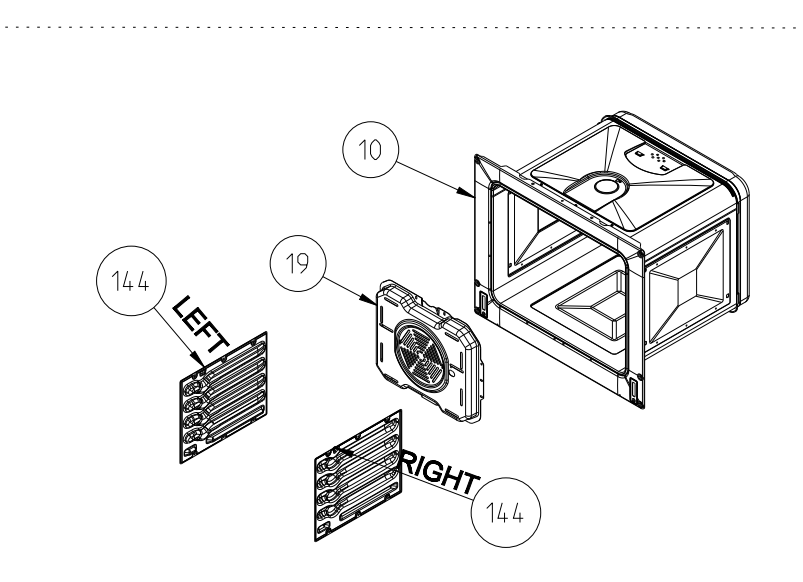
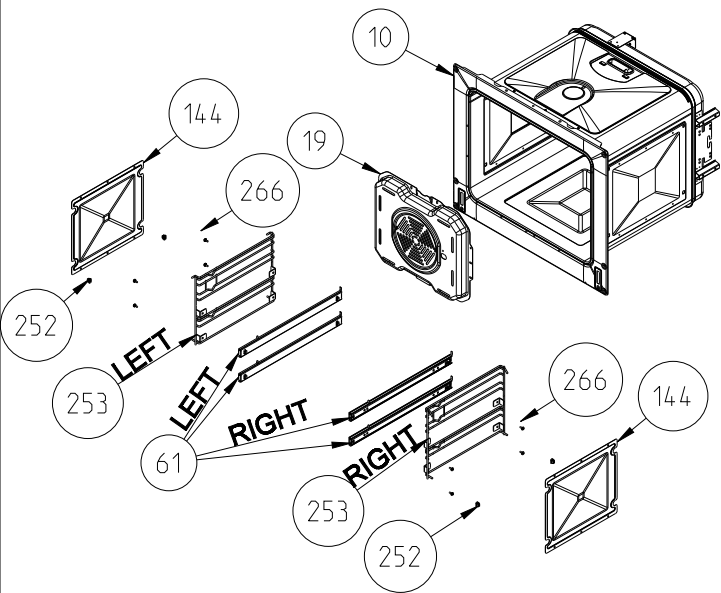


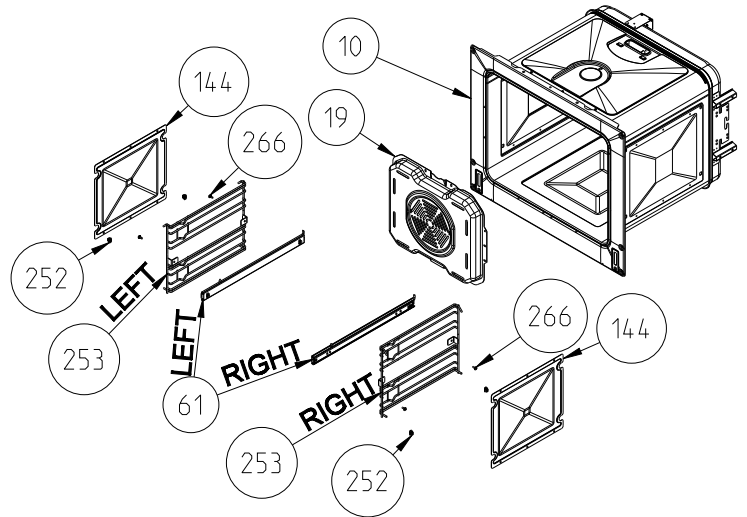
**WIRE SHELF CAVITY ASSEMBLY WITH / WITHOUT CATALYTIC PANEL (OPTIONAL)**



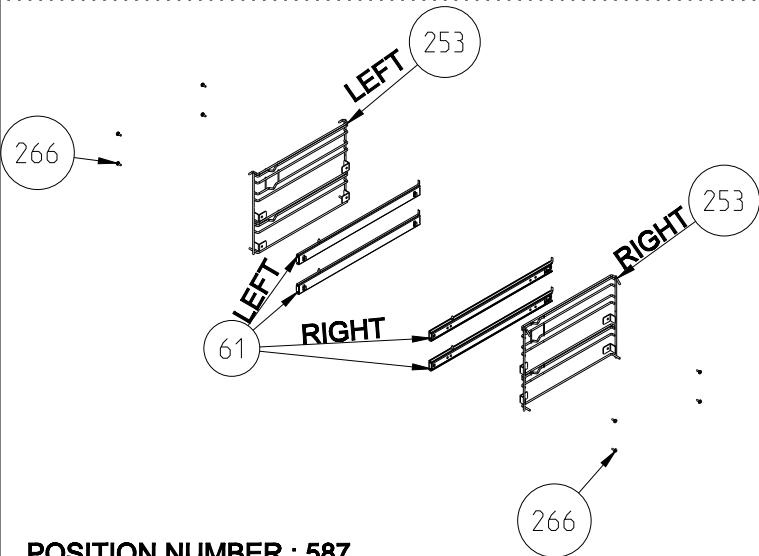
**CAVITY ASSEMBLY WITH CATALYTIC SHELF (OPTIONAL)**



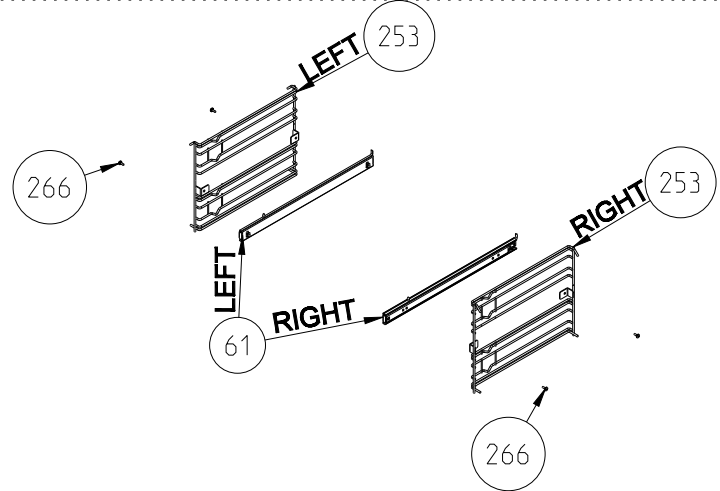
**WIRE SHELF CAVITY ASSEMBLY  
WITH/ WITHOUT CATALYTIC PANEL  
OPTIONAL:DOUBLE TELESCOPIC RAIL (R / L)**



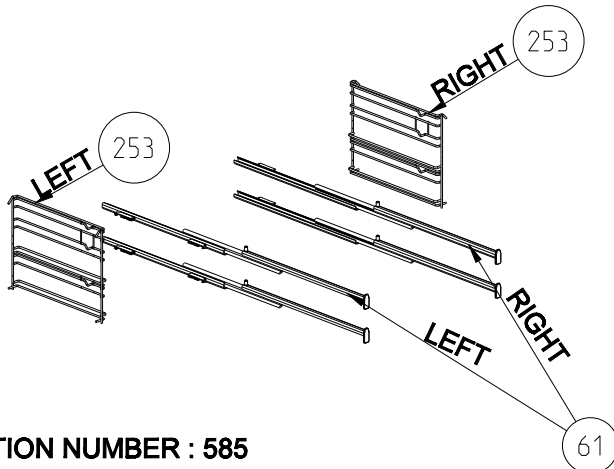
**WIRE SHELF CAVITY ASSEMBLY  
WITH/ WITHOUT CATALYTIC PANEL  
OPTIONAL:TELESCOPIC RAIL (R / L)**



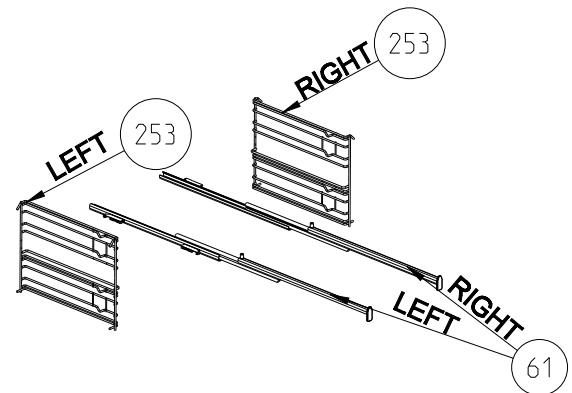
**POSITION NUMBER : 587  
WIRE SHELF (SINGLE EXTENSION)  
OPTIONAL:DOUBLE TELESCOPIC RAIL (R / L) GROUP**



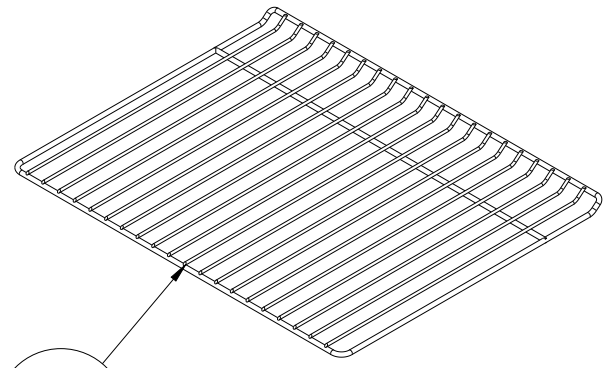
**POSITION NUMBER :588  
WIRE SHELF (SINGLE EXTENSION)  
OPTIONAL: SINGLE TELESCOPIC RAIL (R / L) GROUP**



**POSITION NUMBER : 585  
WIRE SHELF (FULL EXTENSION)  
OPTIONAL:DOUBLE TELESCOPIC RAIL (R / L) GROUP**



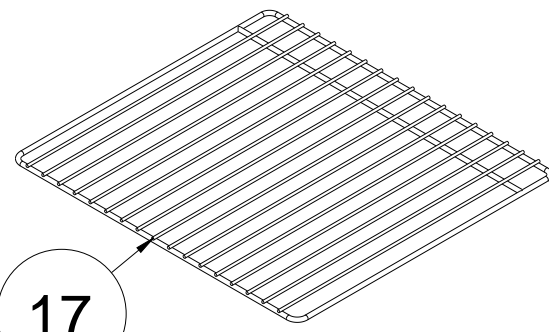
**POSITION NUMBER: 586  
WIRE SHELF (FULL EXTENSION)  
OPTIONAL: SINGLE TELESCOPIC RAIL (R / L) GROUP**



17

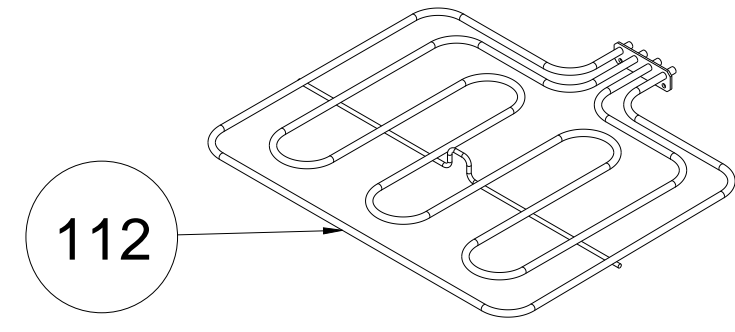
LOCKED

GRID ( OPTIONAL )



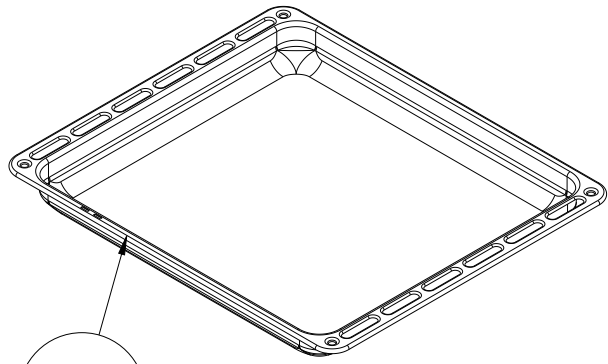
17

W. TELESCOPIC RAIL



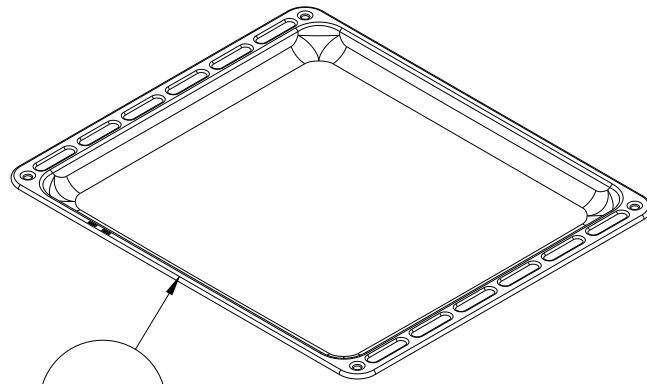
112

TOP AND GRILL HEATING ELEMENT  
( OPTIONAL )



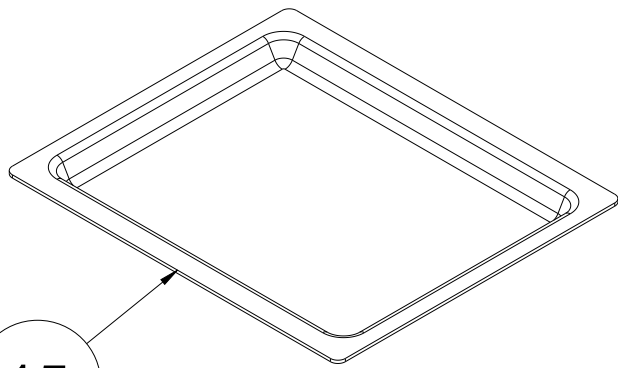
15

DEEP



15

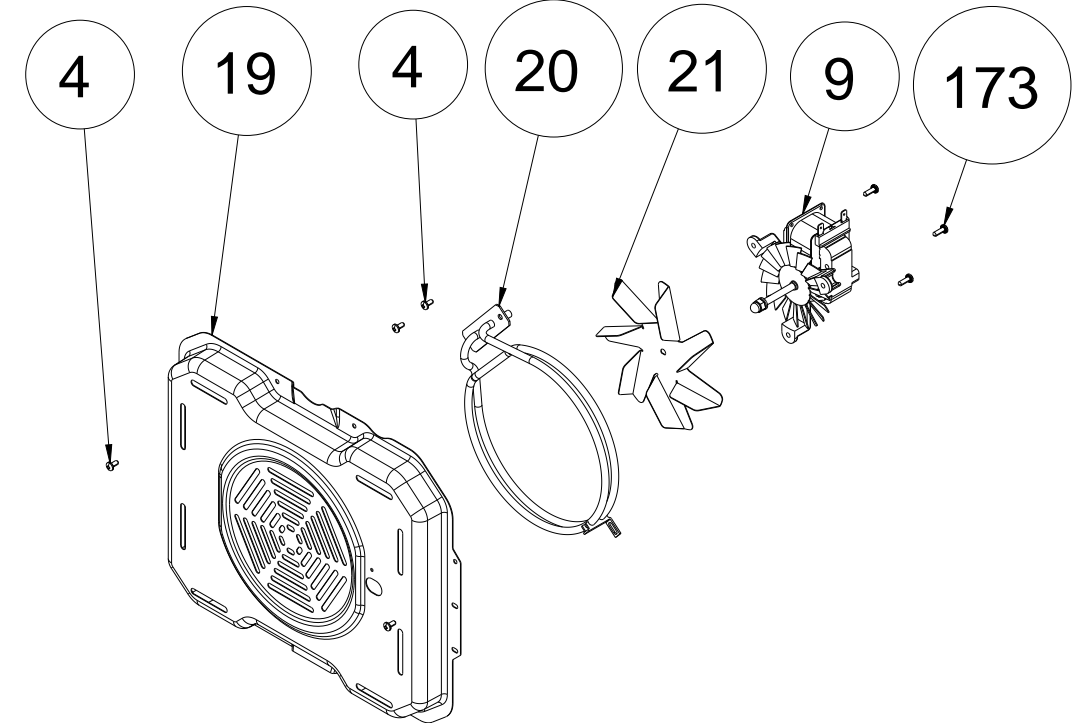
SHALLOW



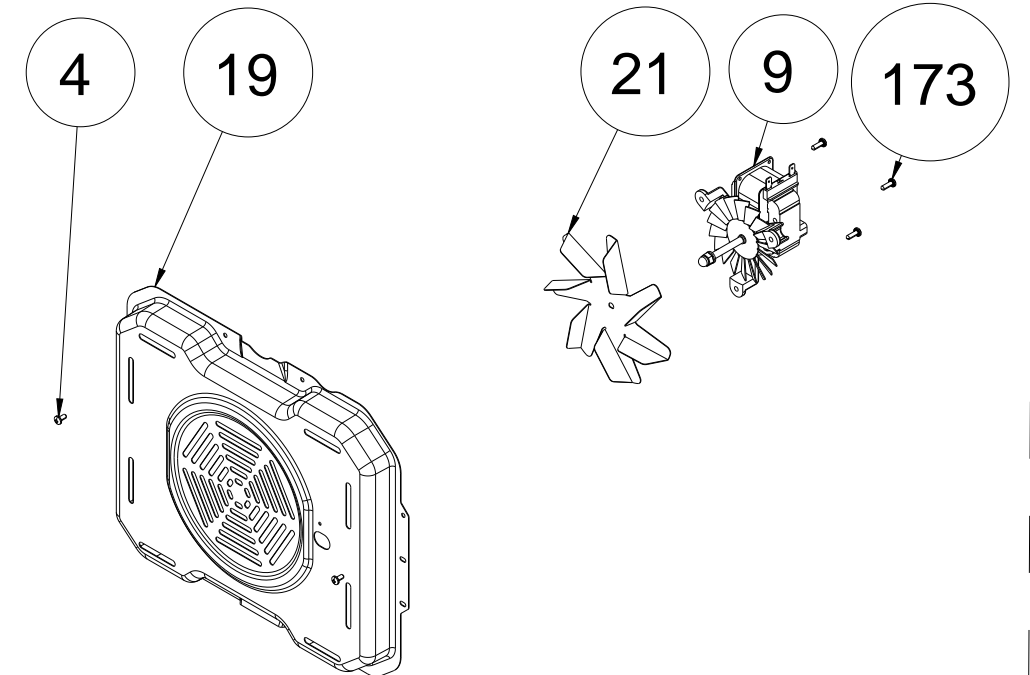
15

GLASS

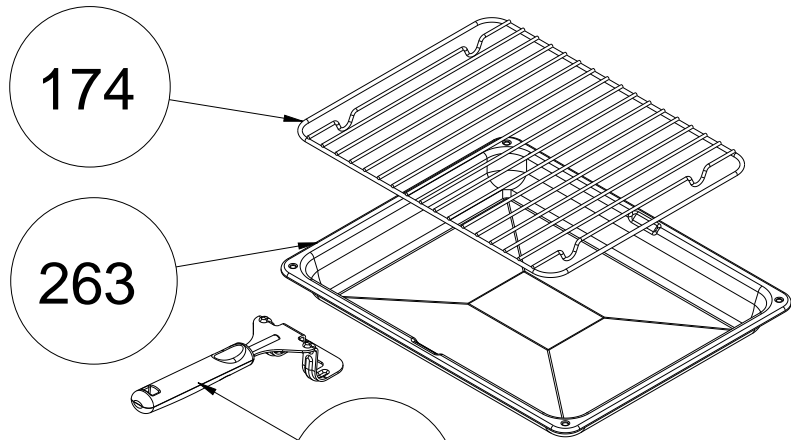
TRAYS ( OPTIONAL )



RING HEATING ELEMENT WITH FAN  
( OPTIONAL )



( FAN COVER/ FAN IMPELLER( 6 WINGS )  
/ FAN MOTOR ) ( OPTIONAL )

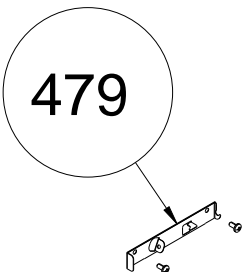


174

263

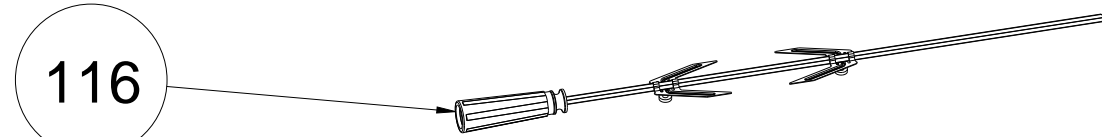
264

GRILL PAN AND HANDLE SET  
( TRAY SET FOR GRILL ) -  
POSITION NO 265 ( OPTIONAL )



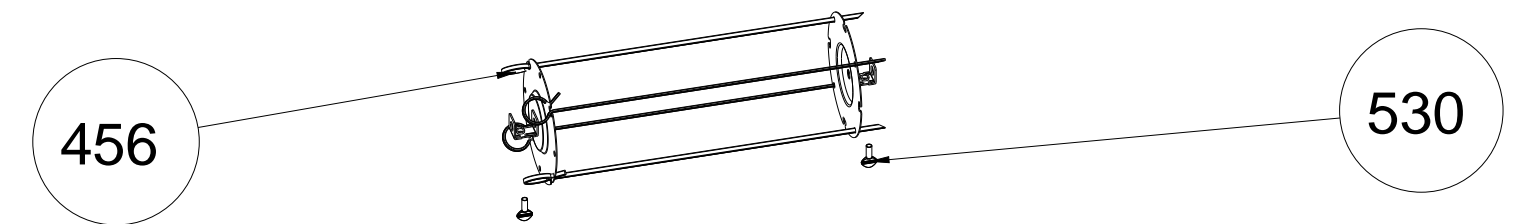
479

THERMIST BULB  
HOLDER/BACKET



116

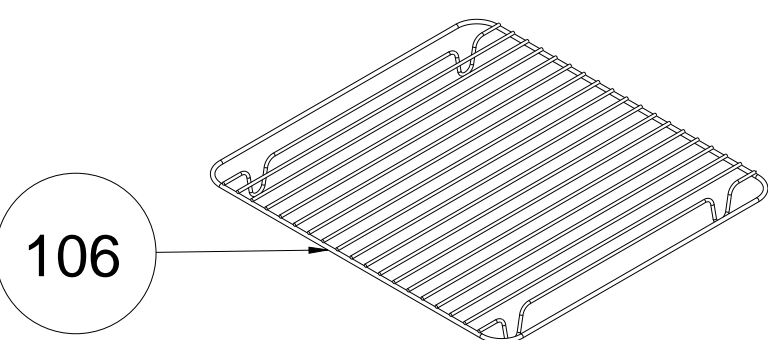
TURNSPIT SKEWER



456

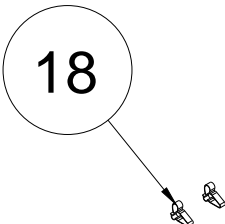
530

SHISH KEBAB ACCESSORY ( OPTIONAL )

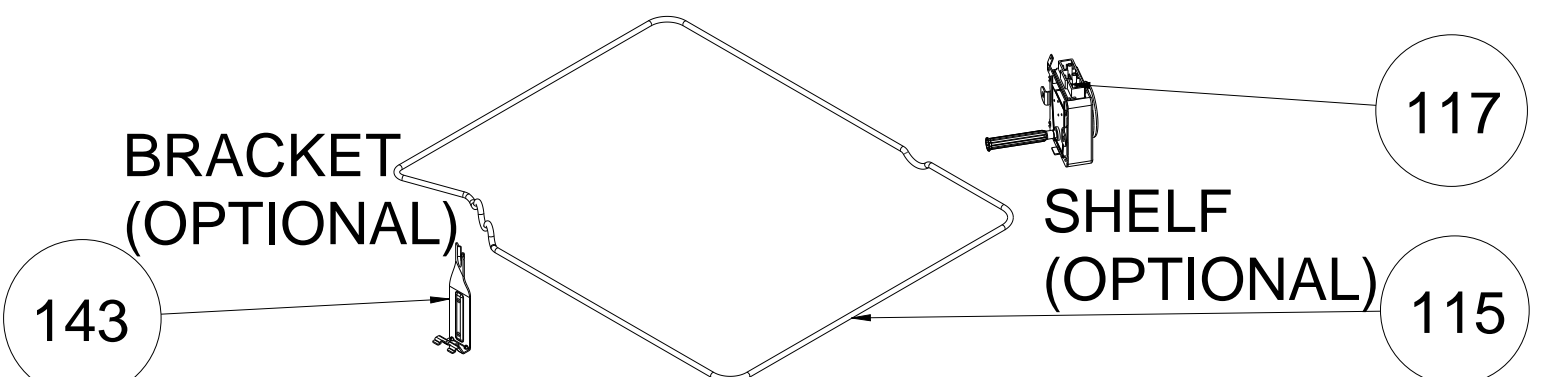


106

DEEP TRAY GRID  
( OPTIONAL )



18



143

117

115

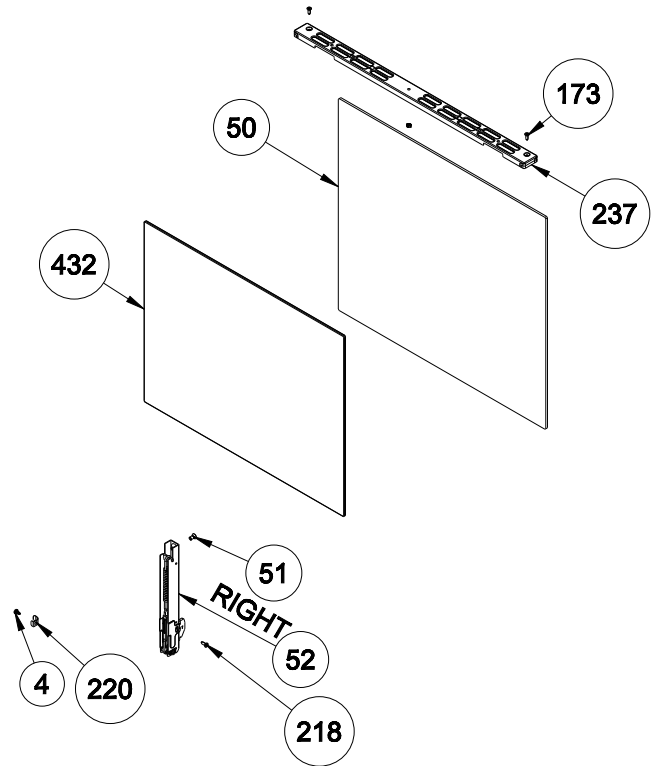
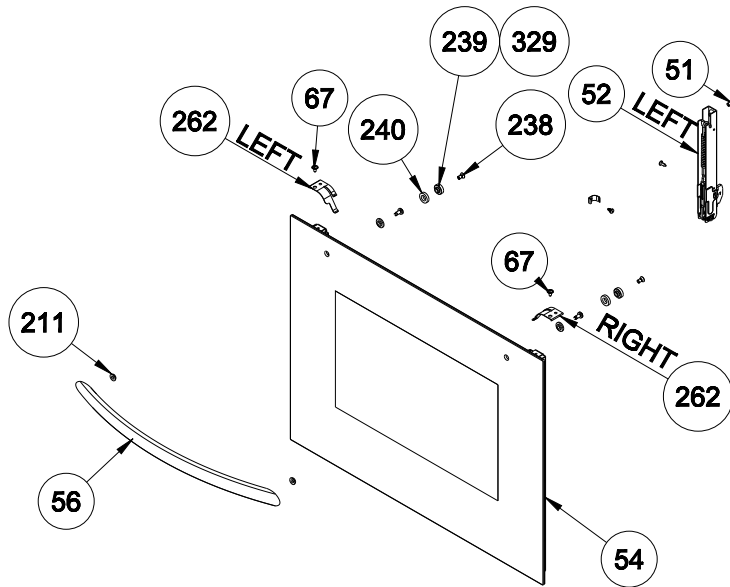
BRACKET  
( OPTIONAL )

SHELF  
( OPTIONAL )

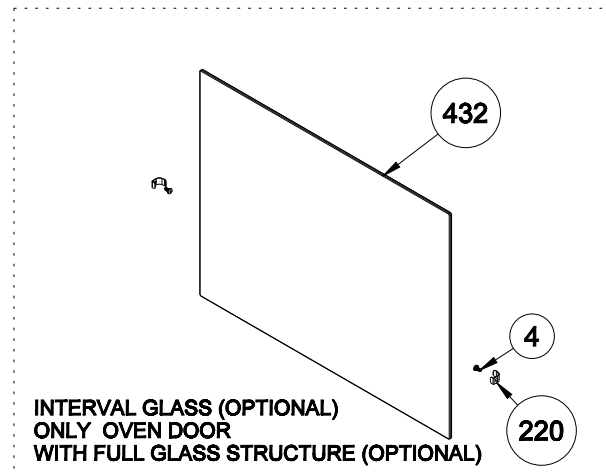
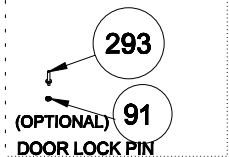
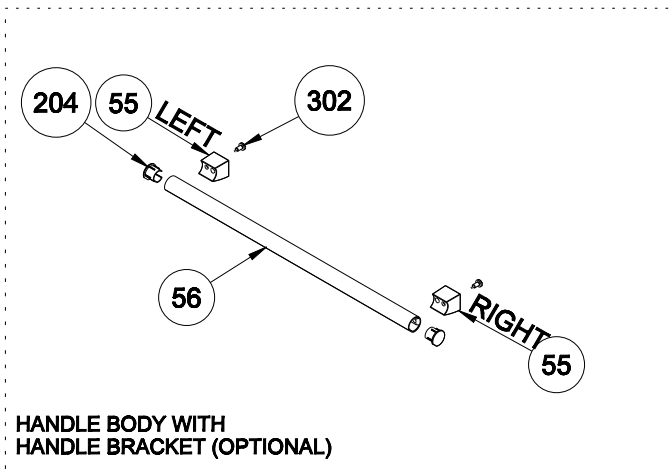
TURNSPIT ( OPTIONAL )

# OVEN DOOR ASSEMBLY EXPLODED VIEW (OPTIONAL)

POSITION  
NUMBER :377  
(DOOR)

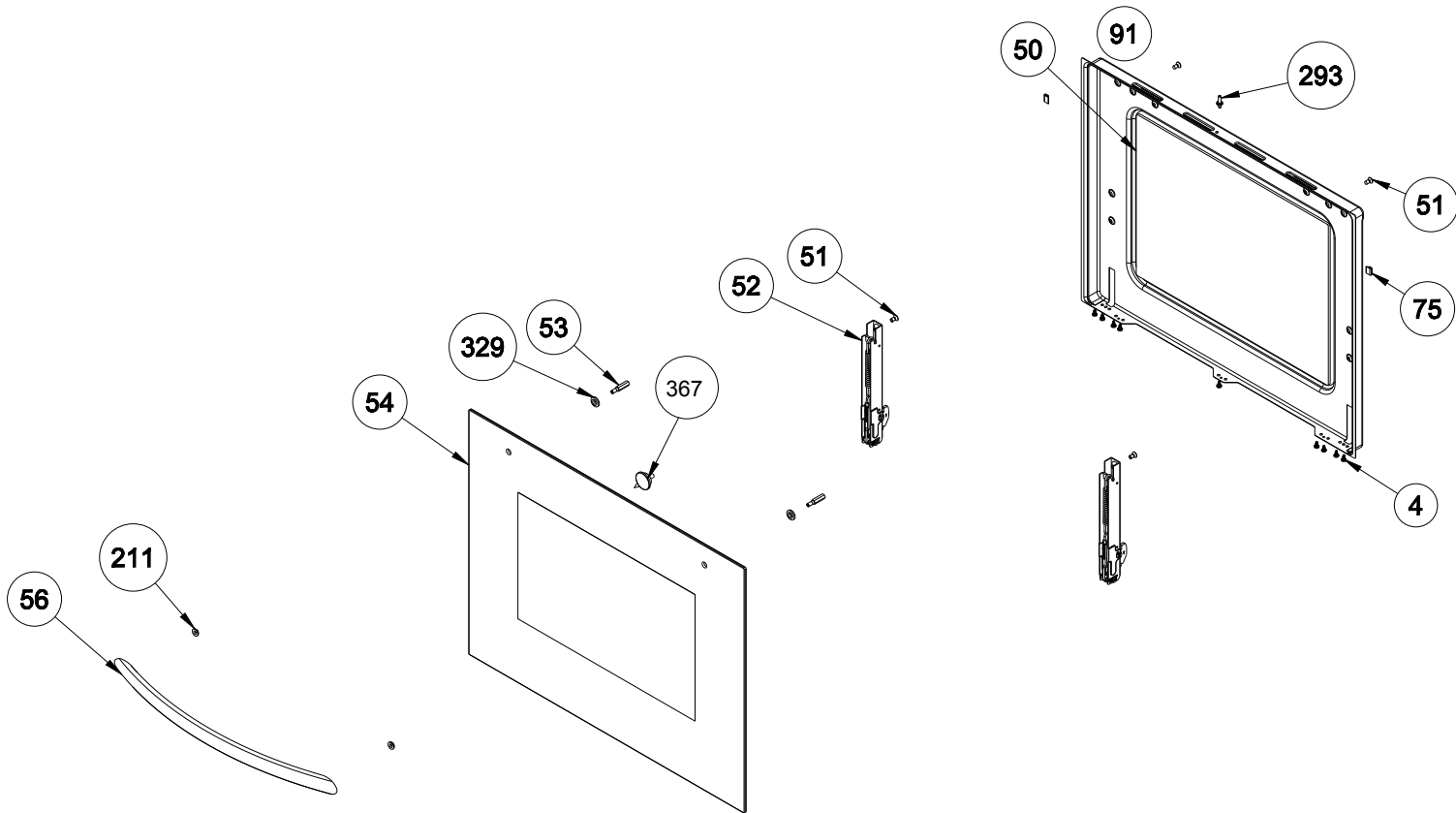


Note :  
220,239,240,432 is for Removable Third Glass Versions  
262,67 is for Removable Glass Versions



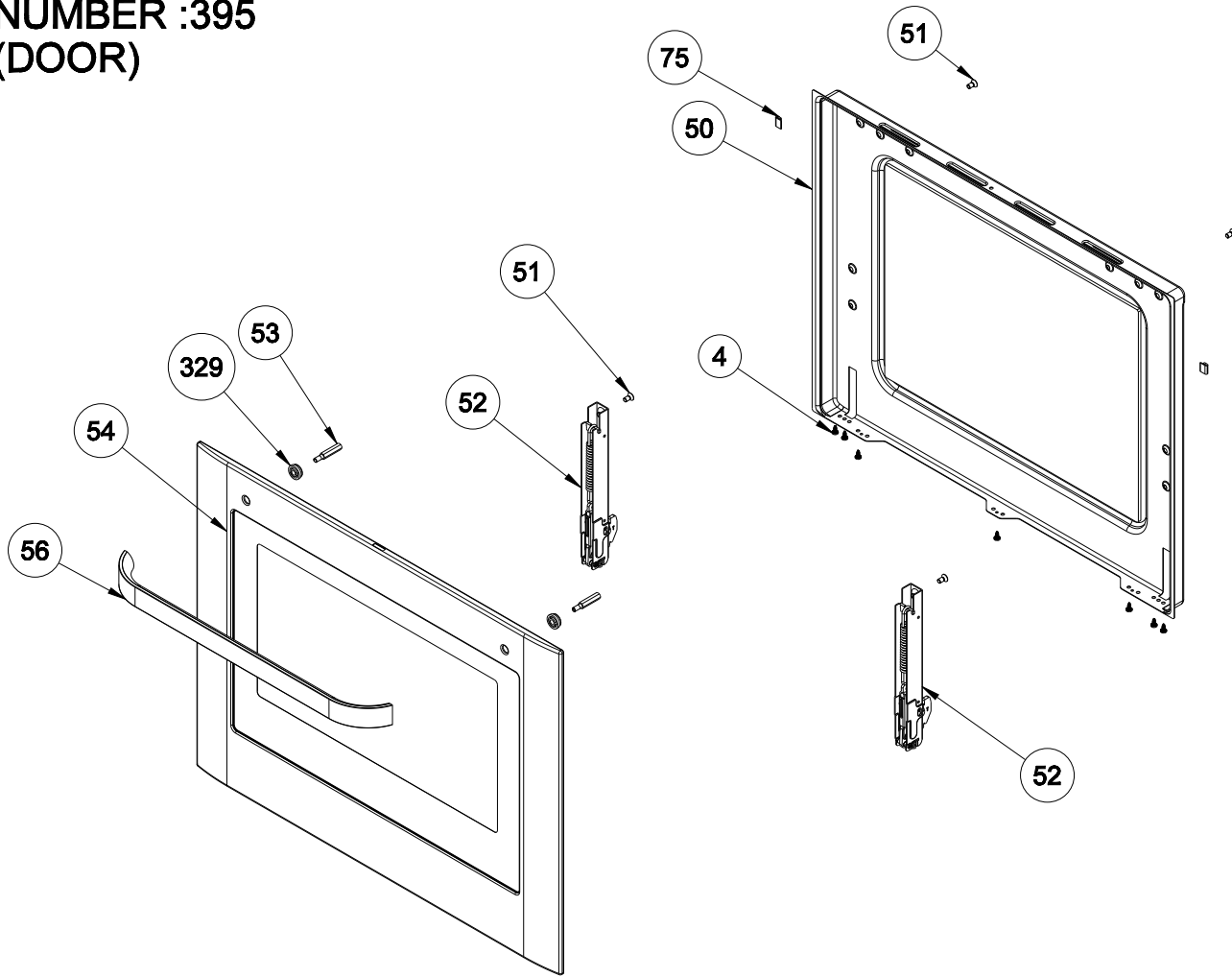
SOLID TYPE OVEN DOOR ASSEMBLY EXPLODED VIEW  
(FRONT VIEW OF GLASS)  
(OPTIONAL)

POSITION  
NUMBER :376  
(DOOR)

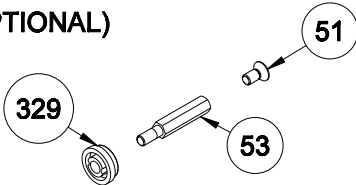


# SOLID TYPE OVEN DOOR ASSEMBLY EXPLODED VIEW (FRONT VIEW OF METAL WITH GLASS ) (OPTIONAL)

**POSITION  
NUMBER :395  
(DOOR)**

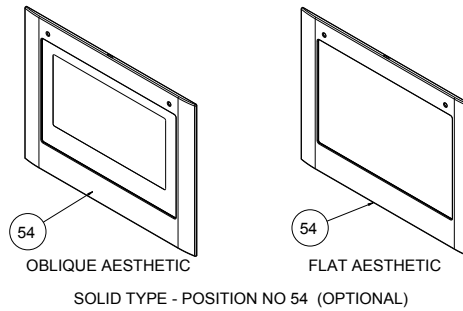


(OPTIONAL)

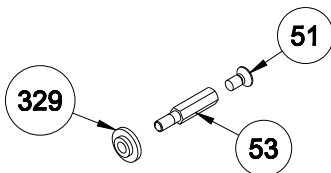


**TYPE 1**

**HANDLE ASSEMBLY GROUP  
POSITION NUMBER : 49  
(OPTIONAL)**

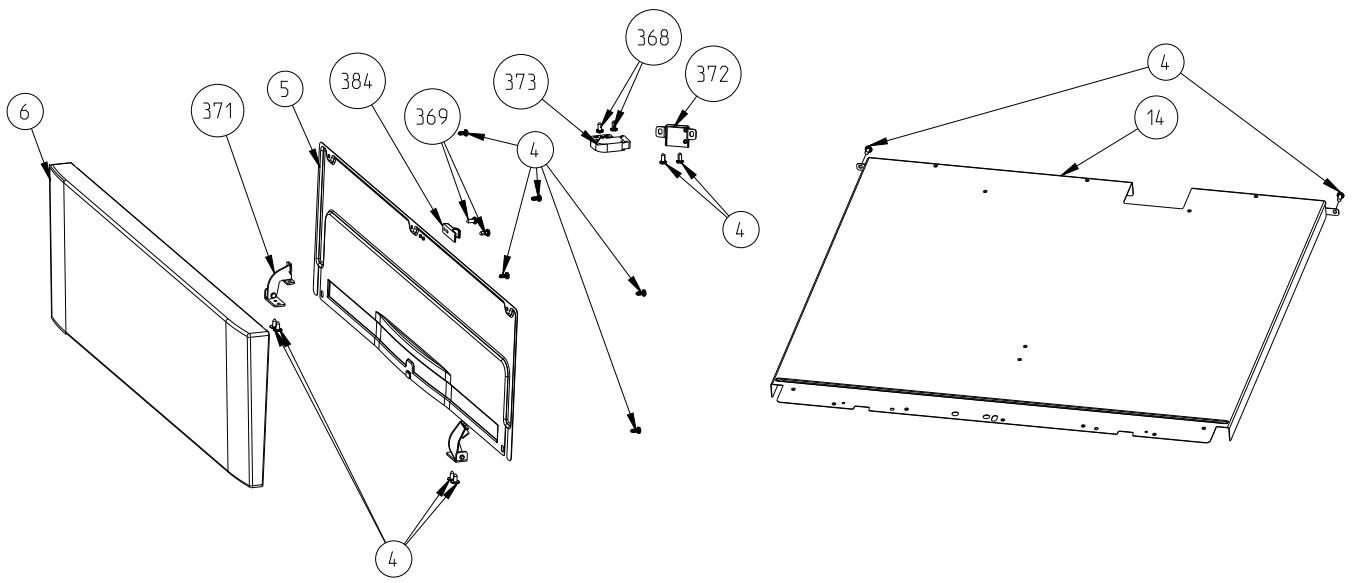


(OPTIONAL)

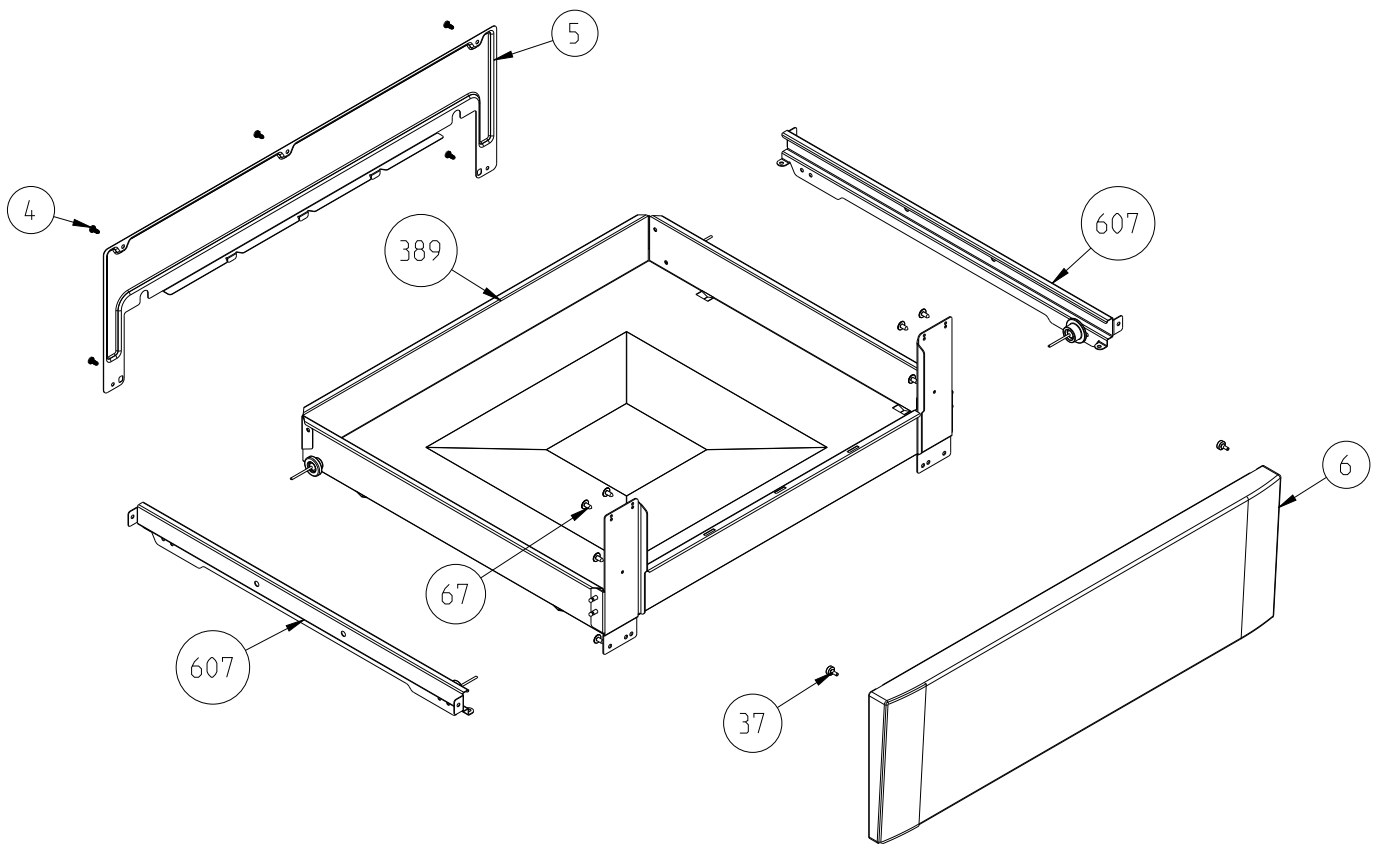


**TYPE 2**

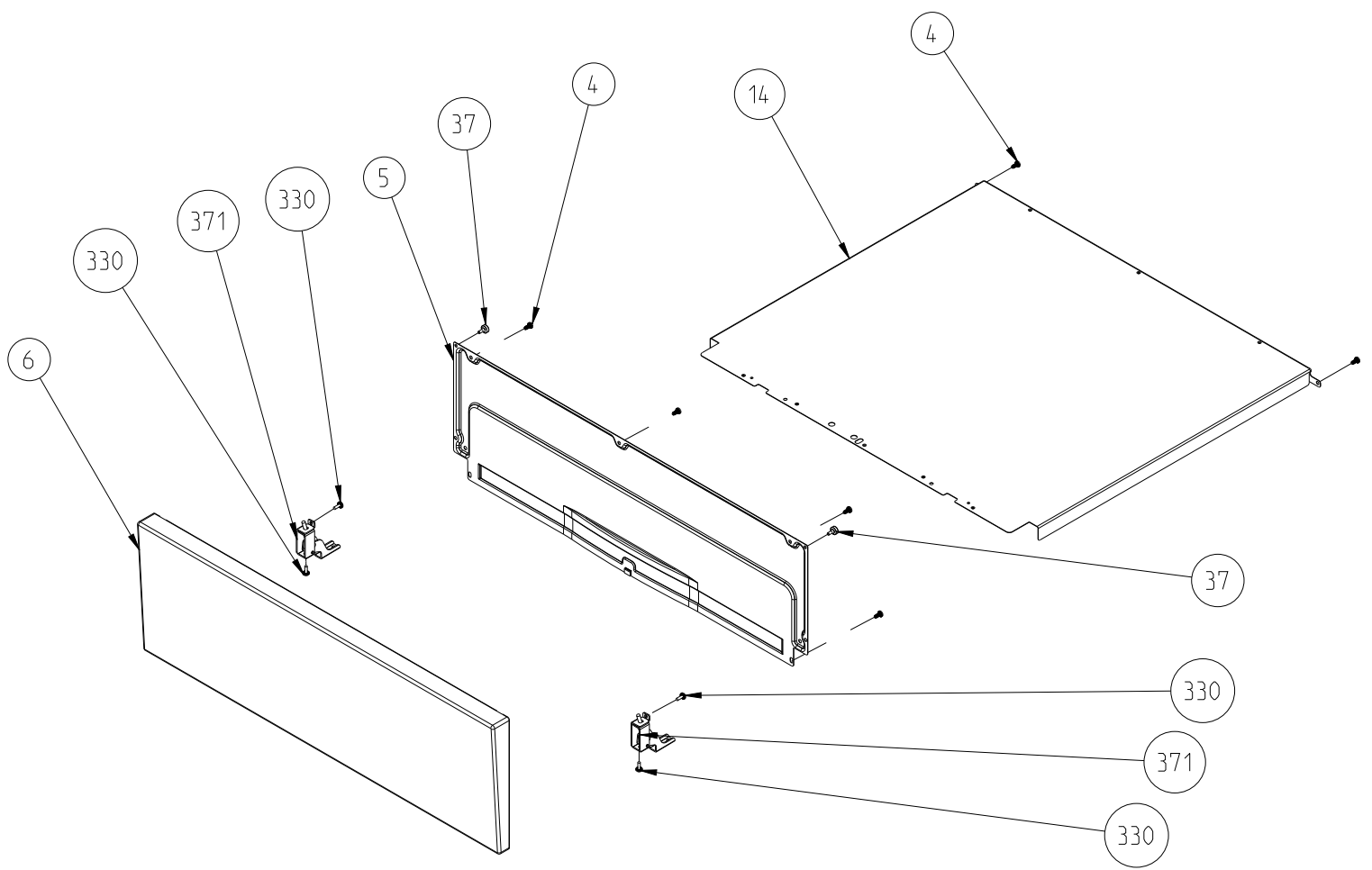
**HANDLE ASSEMBLY GROUP  
POSITION NUMBER : 49  
(OPTIONAL)**



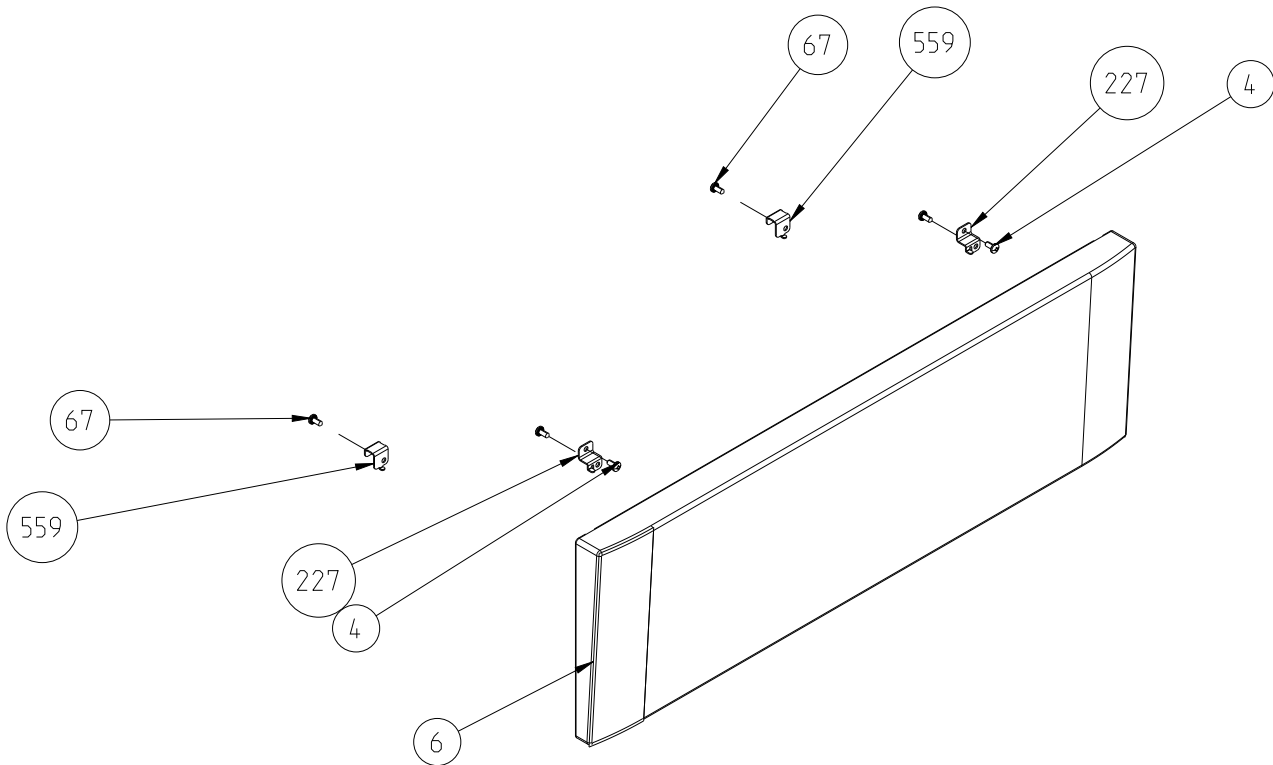
**PUSH PULL FLAP DRAWER ASSEMBLY (OPTIONAL)**



**4WG DRAWER ASSEMBLY (OPTIONAL)**



**YNTB FLAP DRAWER ASSEMBLY**

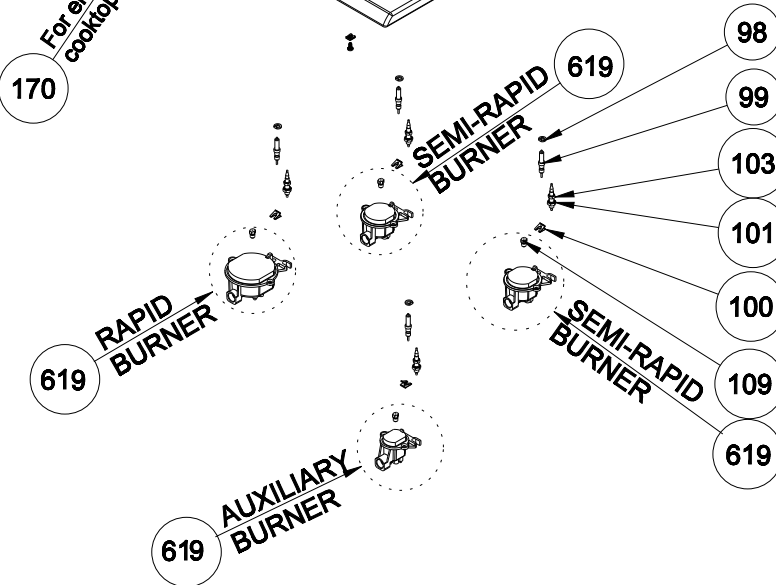
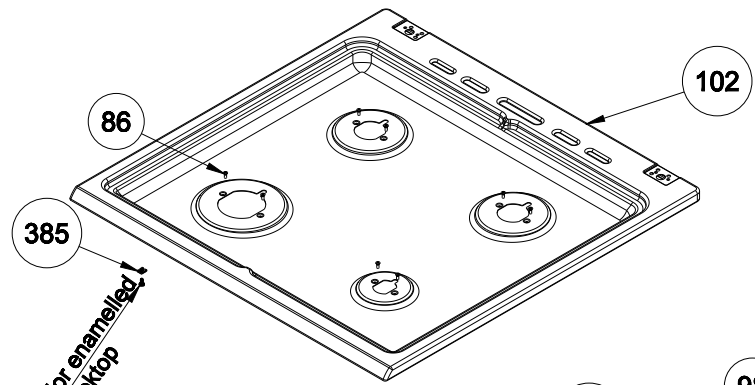
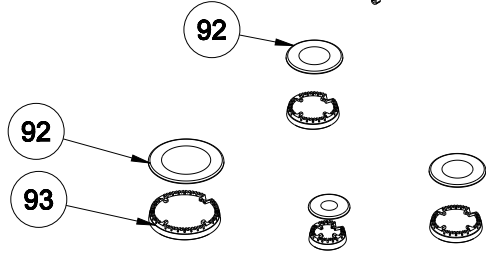
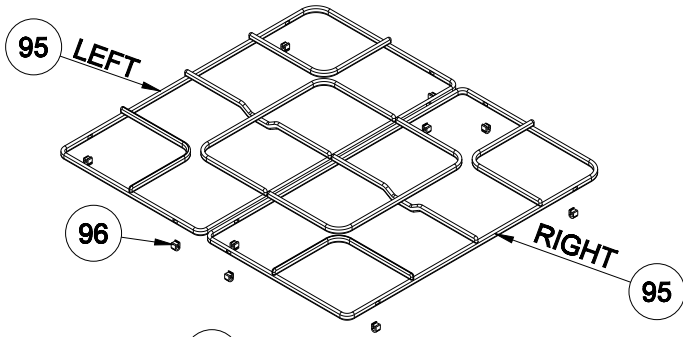


**FIXED DRAWER ASSEMBLY  
(OPTIONAL)**

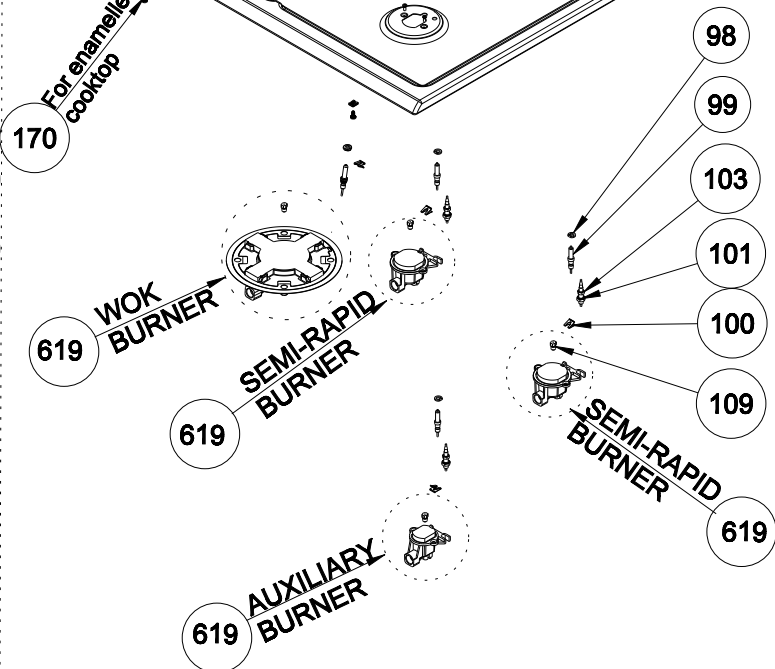
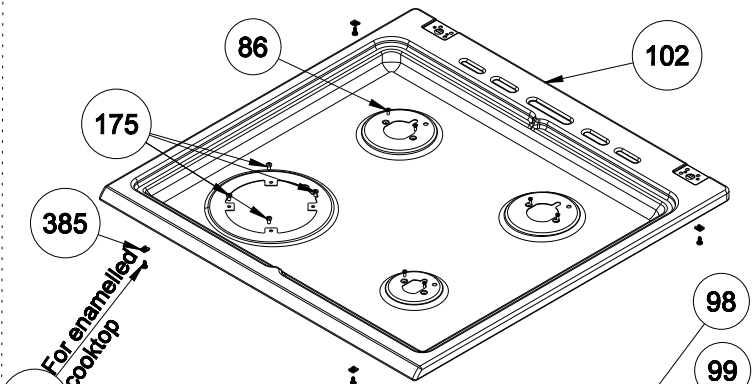
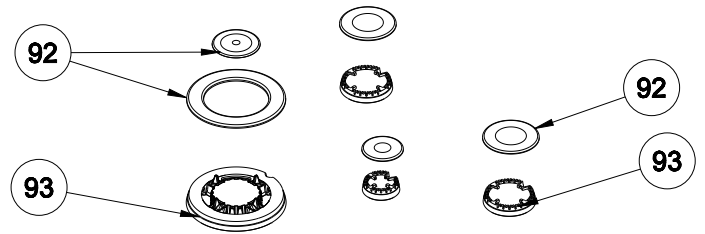
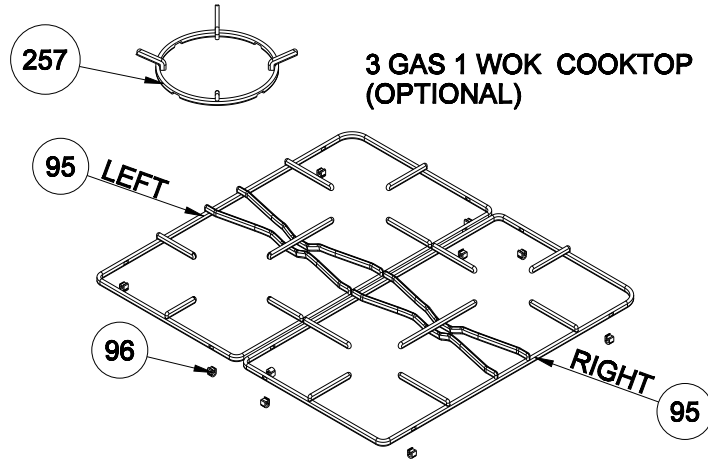


# FREE STANDING COOKTOP VERSIONS

## 4 GAS COOKTOP (OPTIONAL)

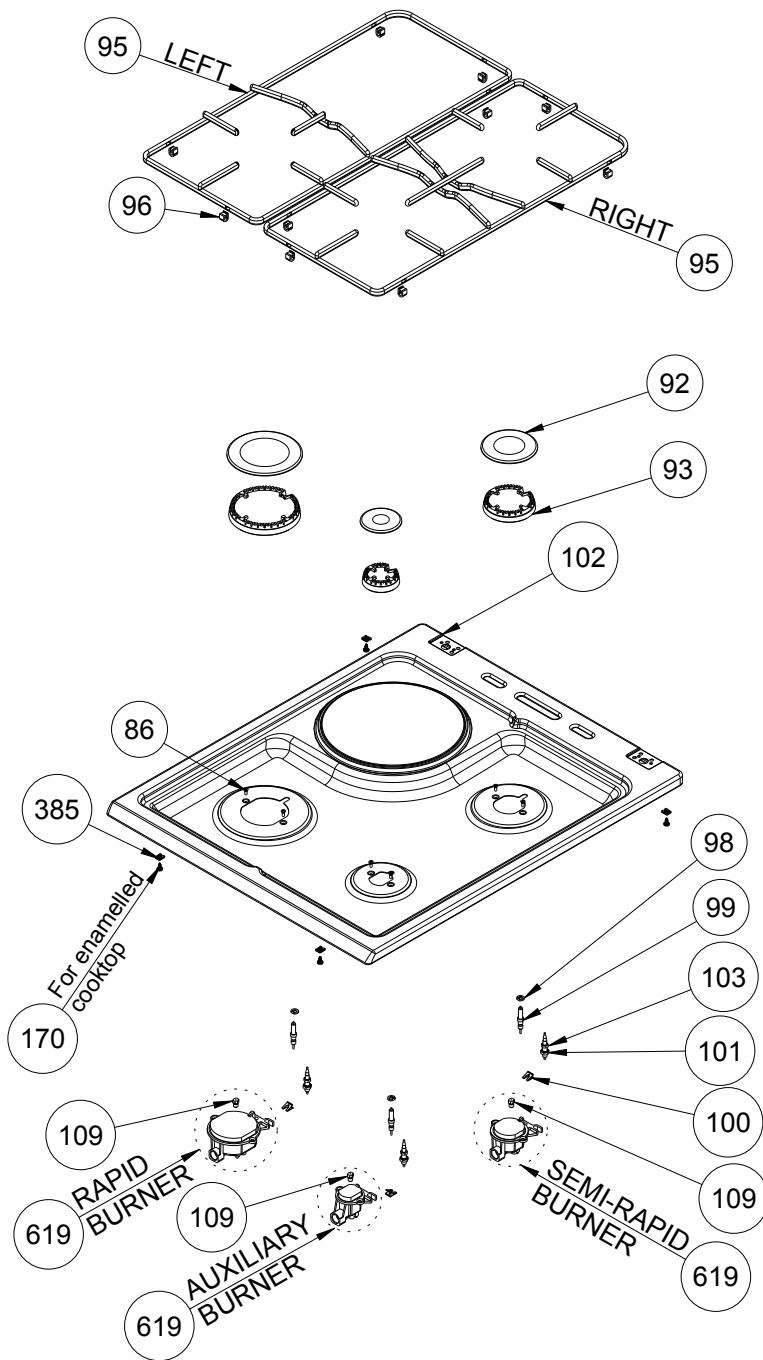
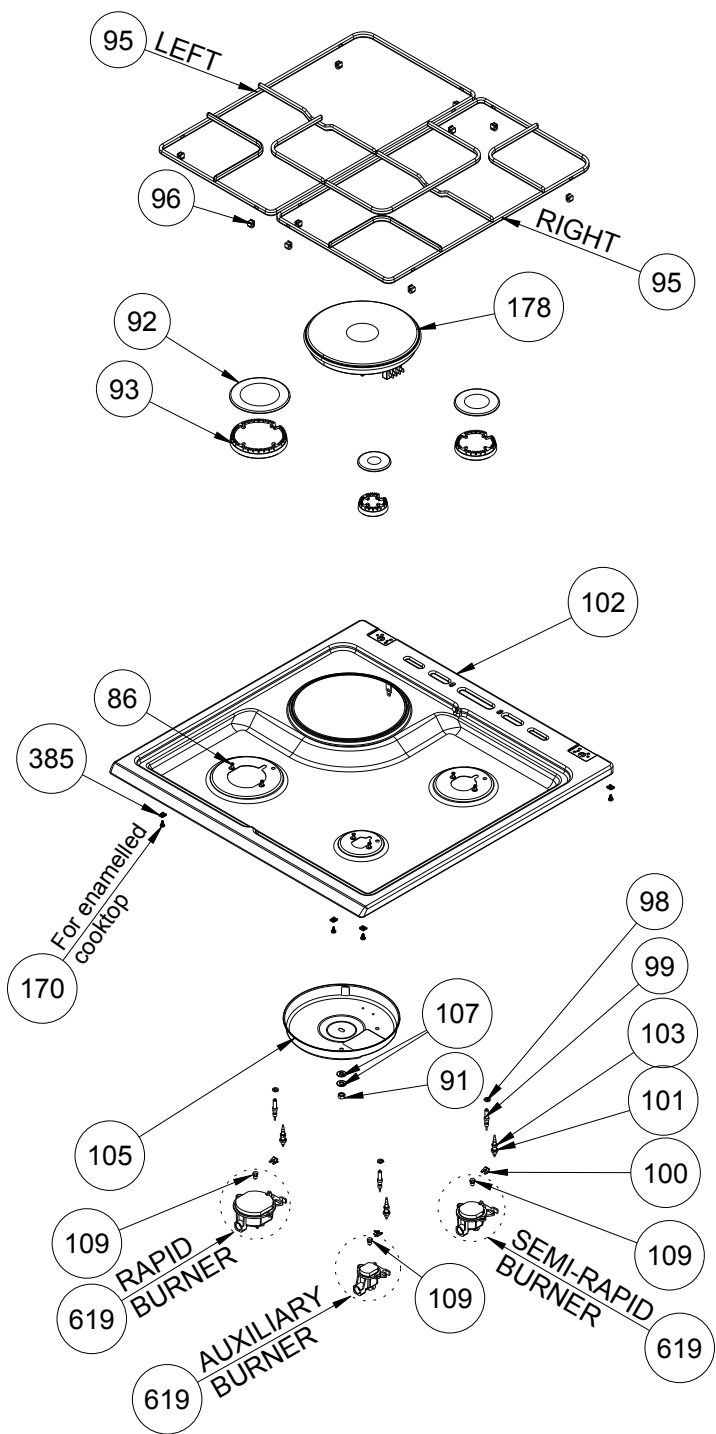


## 3 GAS 1 WOK COOKTOP (OPTIONAL)

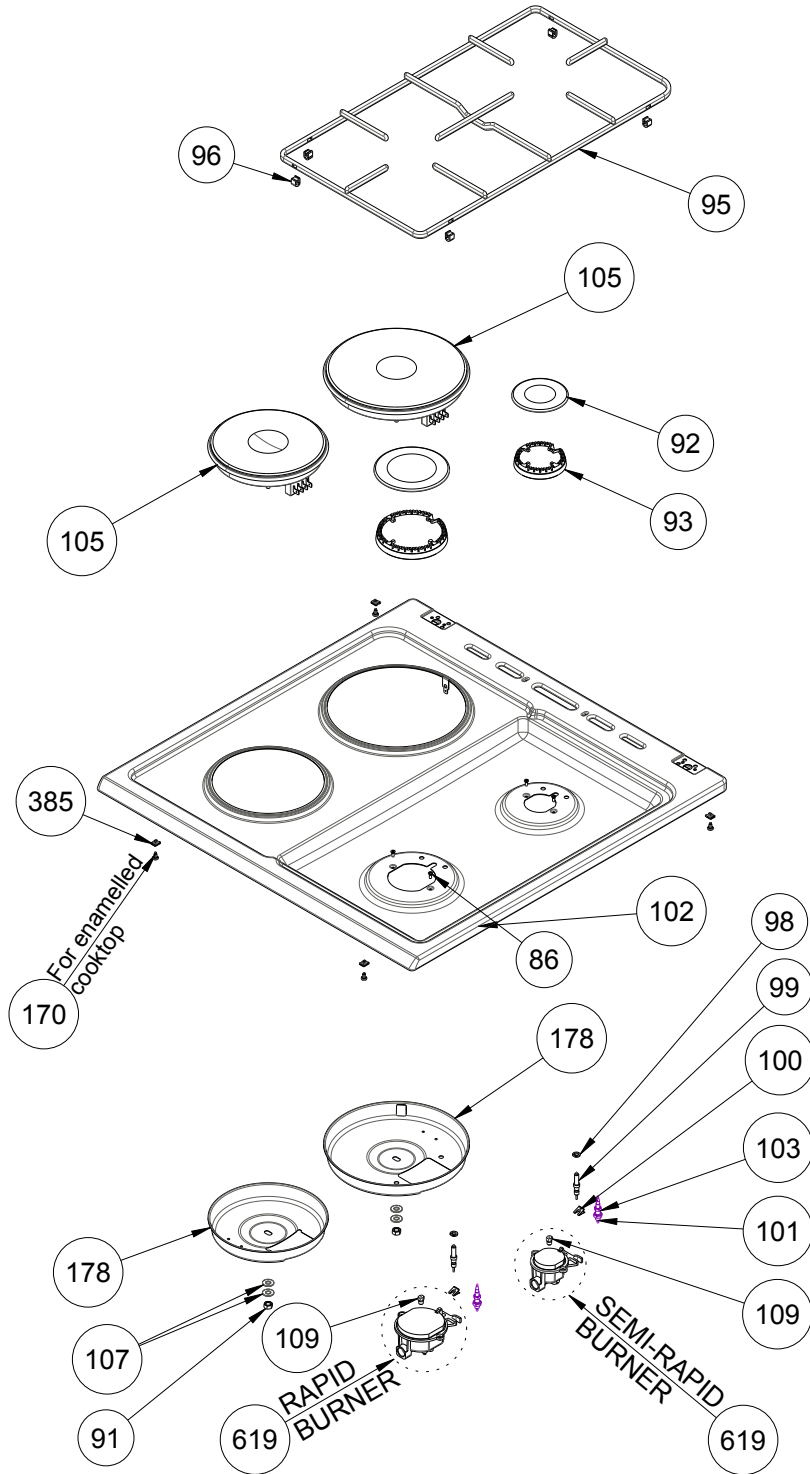


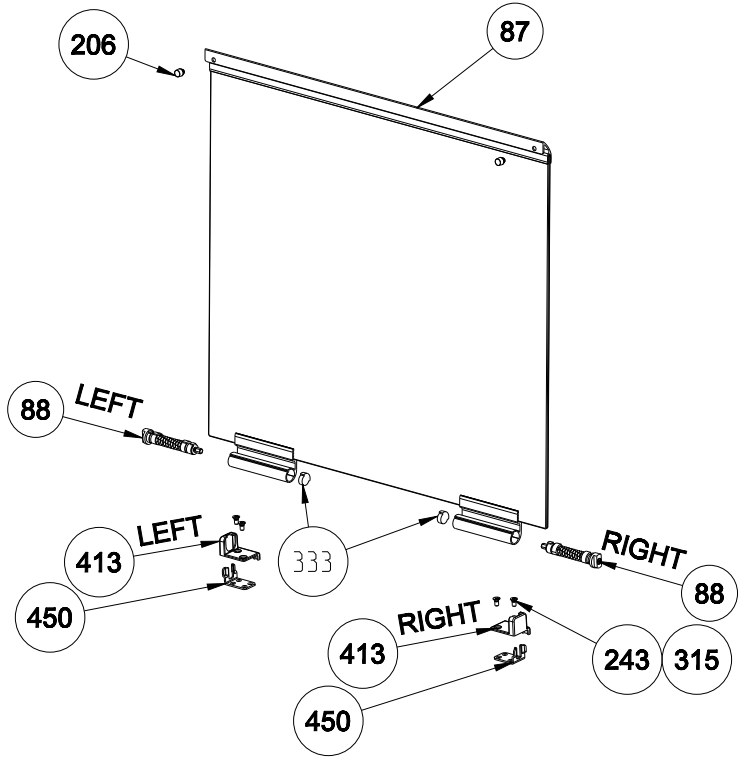
3 GAS 1 ELECTRIC COOKTOP  
(OPTIONAL)

3 GAS COOKTOP  
(OPTIONAL)

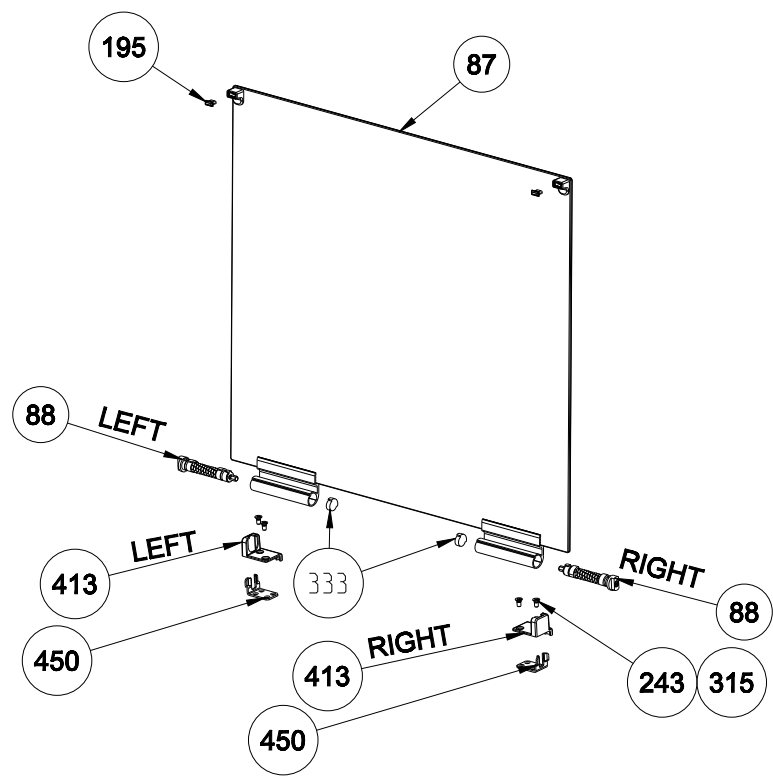


2 GAS 2 ELECTRIC COOKTOP  
(OPTIONAL)

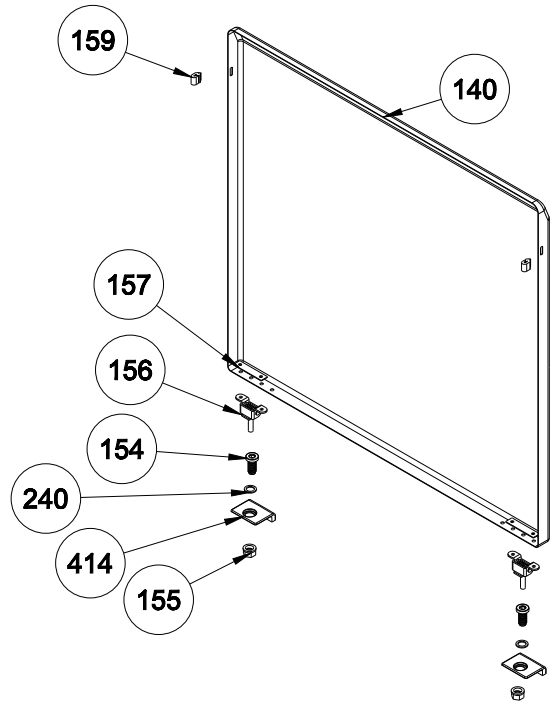




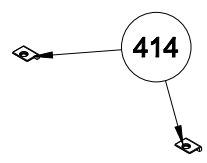
**GLASS LID WITH SHORT PROFILE  
(OPTIONAL)**



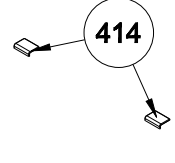
**GLASS LID WITH BUMPER  
(OPTIONAL)**



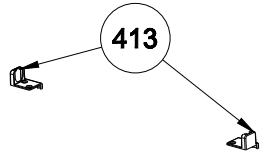
**METAL LID (OPTIONAL)  
POSITION NUMBER :153**



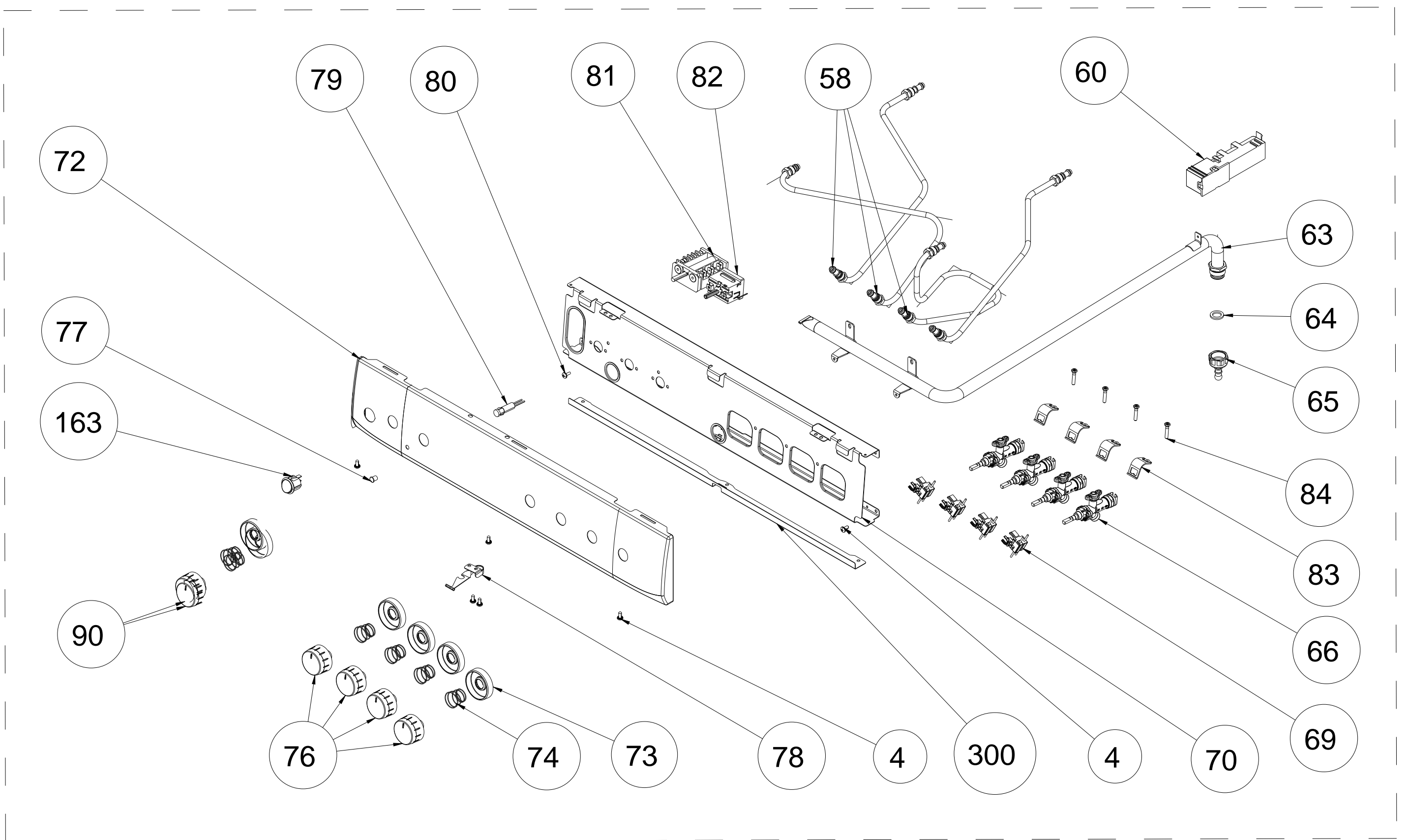
**ONLY FOR  
METAL LID**



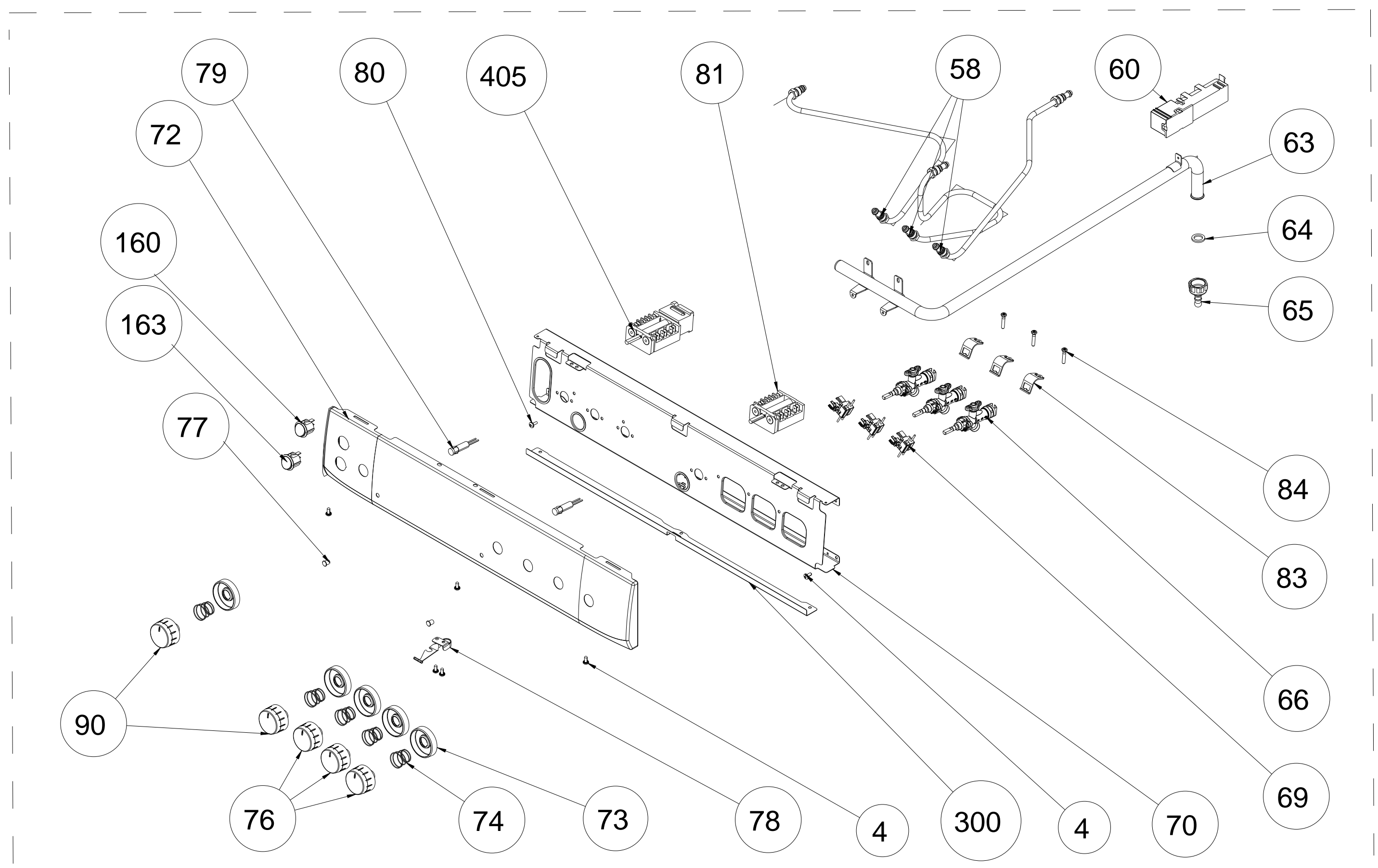
**ONLY FOR  
NONE LID**



**ONLY FOR  
GLASS LID**

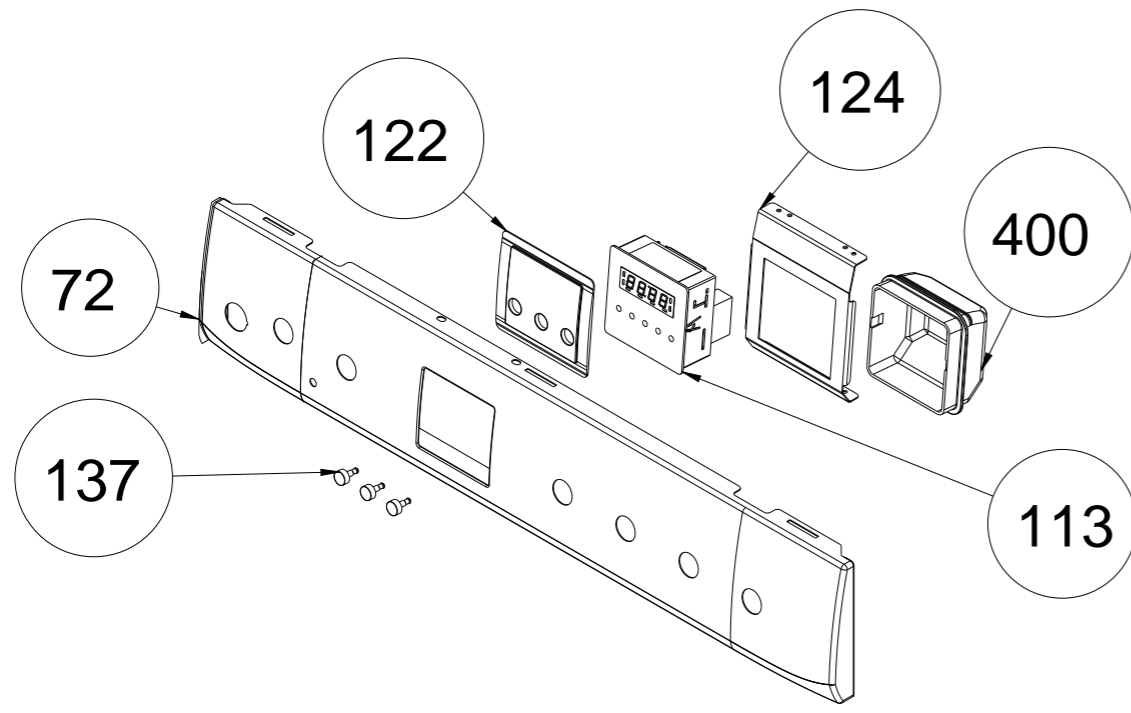


3D- 4GAS - NO TIMER CONTROL PANEL ASSEMBLY

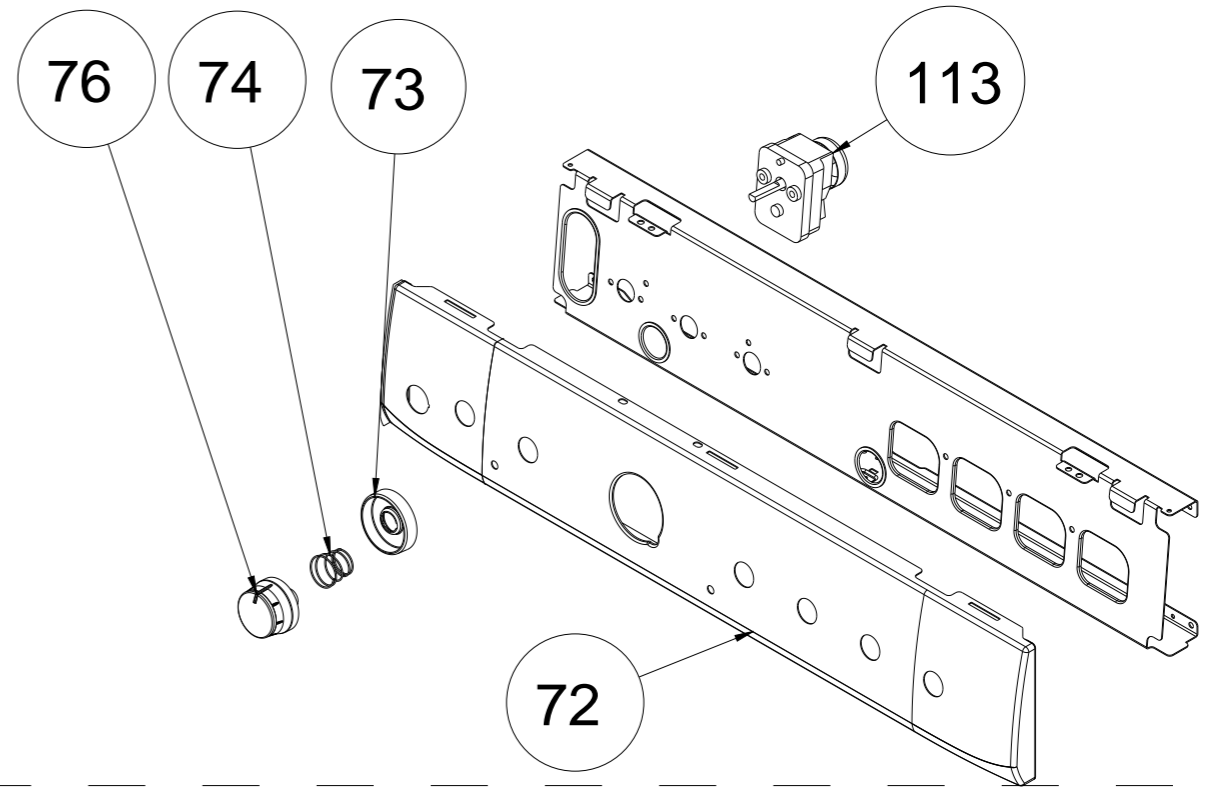


3D- 3GAS+1ELECTRIC - NO TIMER CONTROL PANEL ASSEMBLY

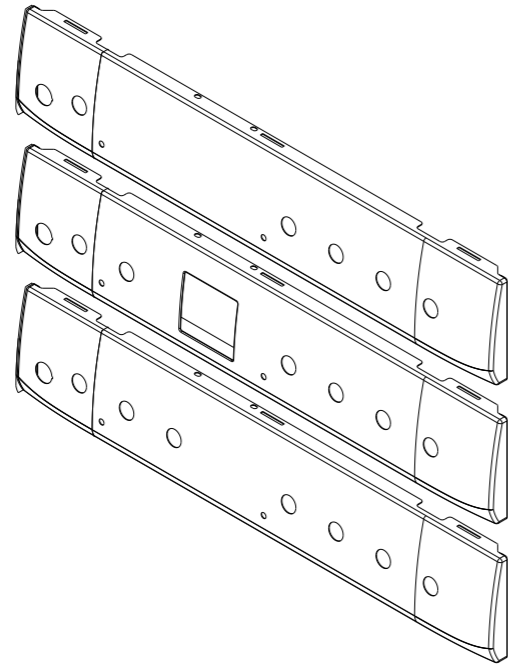
EXPLODED VIEW - CONTROL PANEL ASSEMBLY



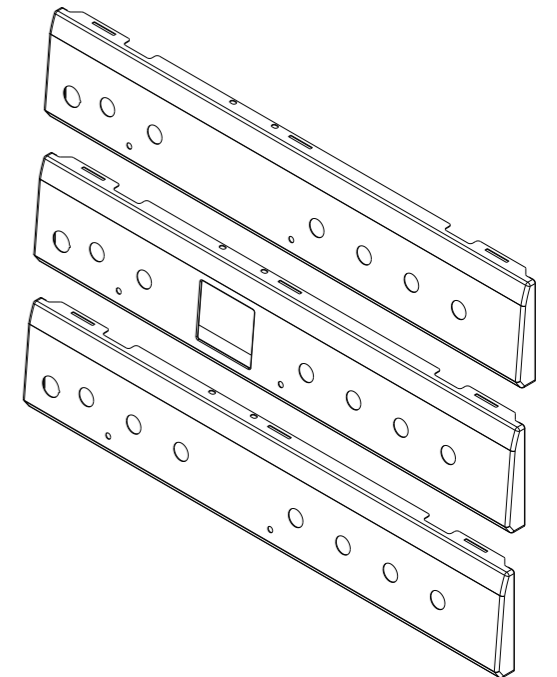
DIGITAL TIMER ( OPTIONAL )



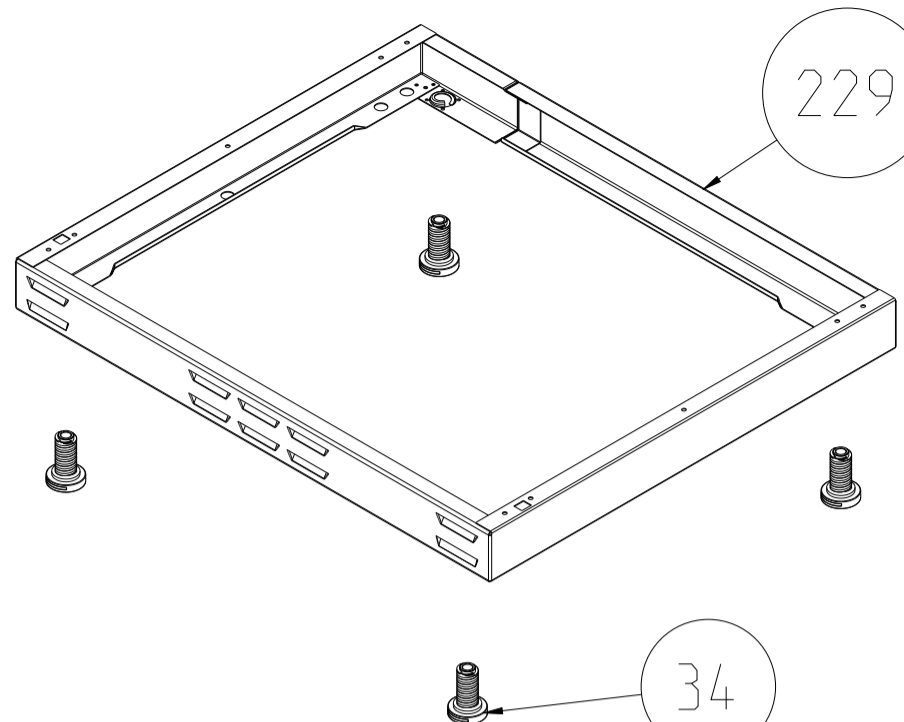
MECHANIC TIMER ( OPTIONAL )



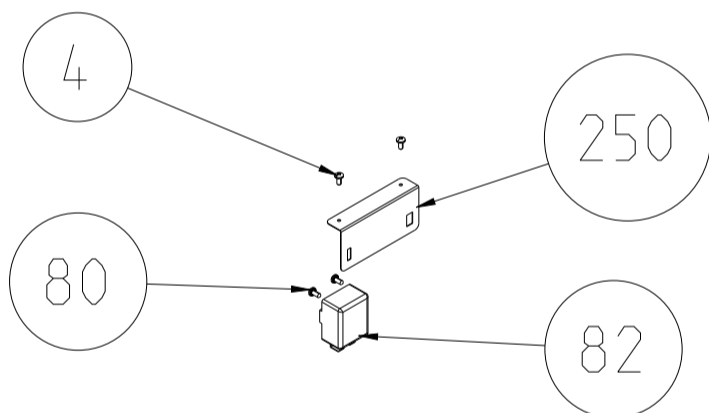
3D METAL CONTROL PANELS  
( OPTIONAL )



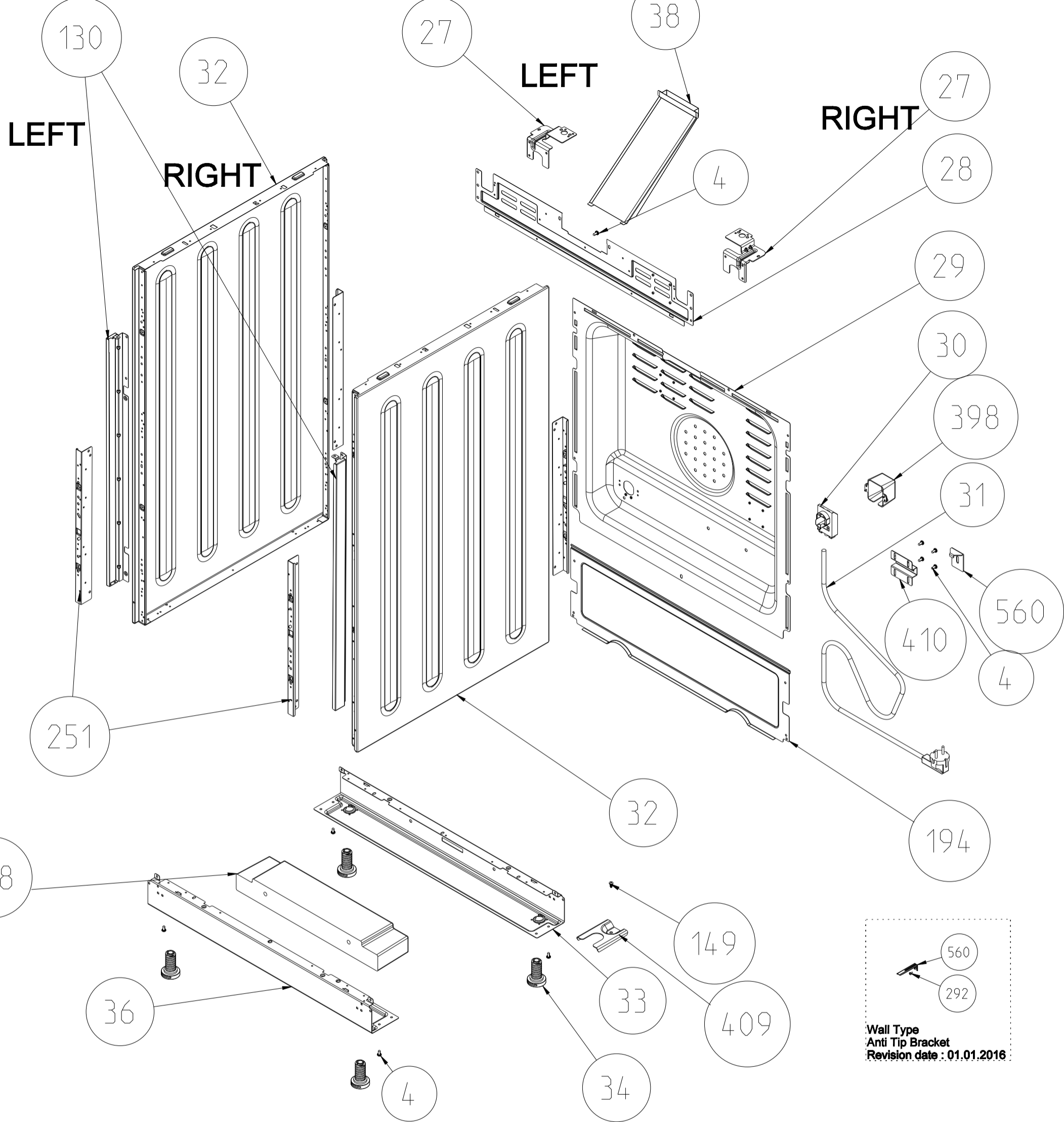
FLAT METAL CONTROL PANELS  
( OPTIONAL )



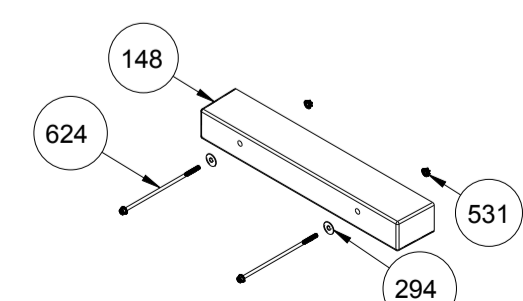
**EXTRA BOTTOM SUPPORT  
(WITH LOUVRES)**



**( OPTIONAL ONLY FOR  
ELECTRIC GRILL FS GAS )**

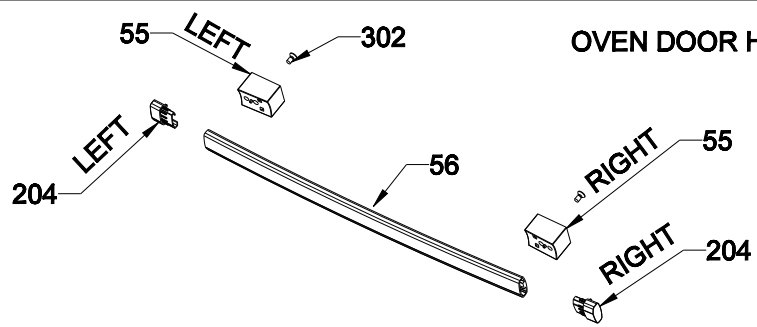


Wall Type  
Anti Tip Bracket  
Revision date : 01.01.2016

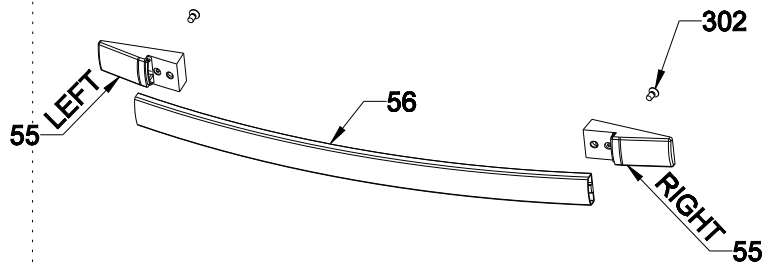


**CONCRETE WEIGHT**  
Revision date : 01.04.2017

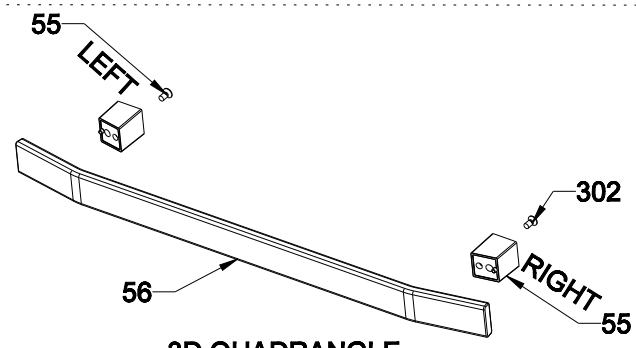
OVEN DOOR HANDLES (OPTIONAL)



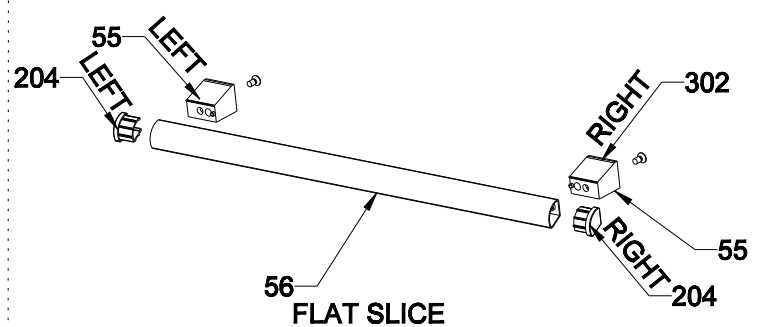
CURVED QUADRANGLE



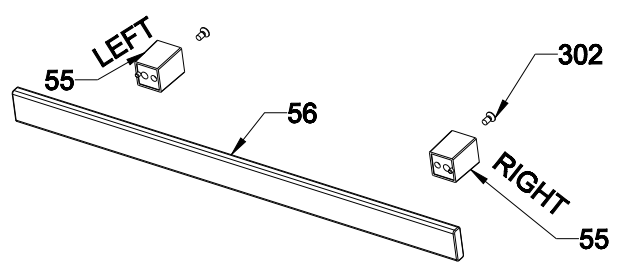
ARC QUADRANGLE



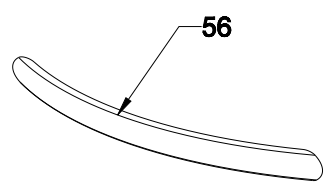
3D QUADRANGLE



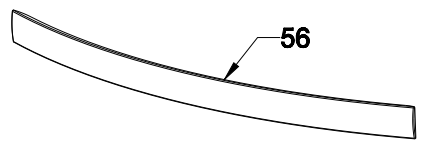
FLAT SLICE



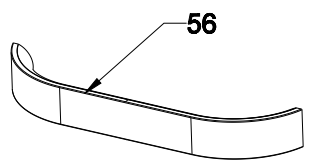
FLAT QUADRANGLE



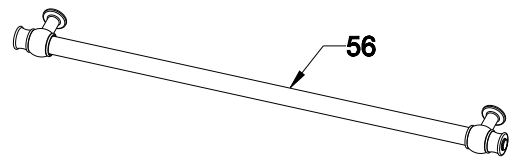
ELLIPSE ARC



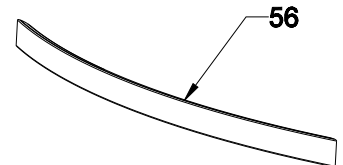
D PROFILE ARC, ELECTROLUX



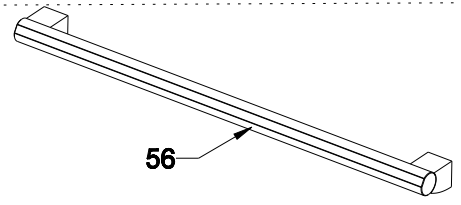
BOW



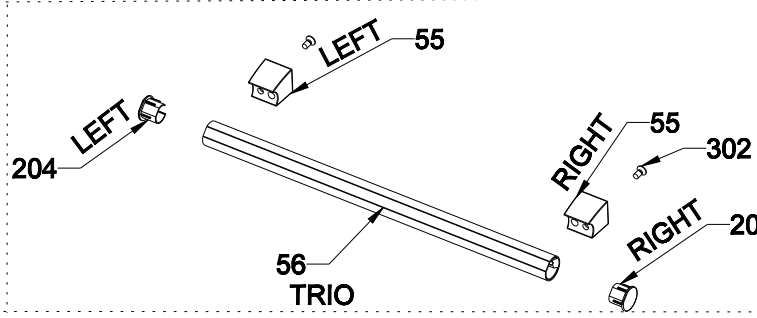
RUSTIK RISUS



D PROFILE ARC

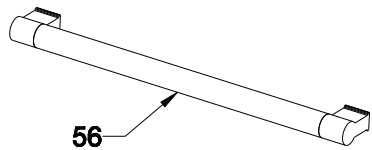


METALUX



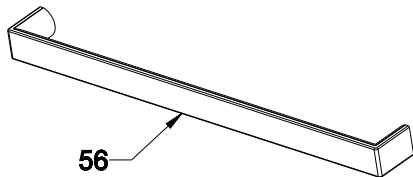
TRIO





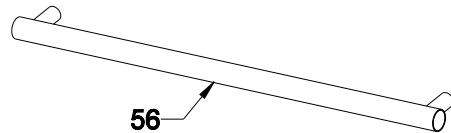
56

TROY



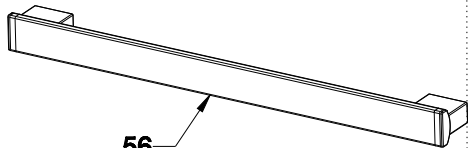
56

VERO



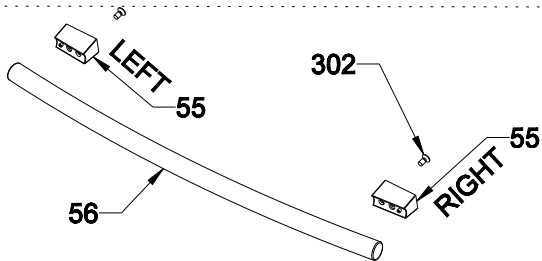
56

CYLINDER



56

JUNO VESTEL ONLY



56

LEFT

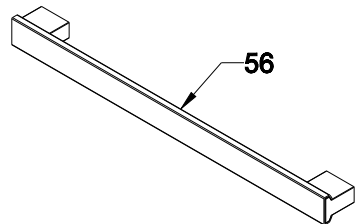
55

302

RIGHT

55

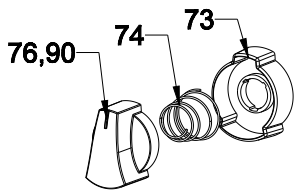
ARC TUBE



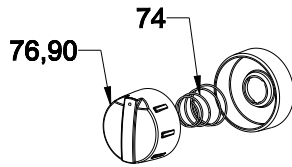
56

TITAN VESTEL & SHARP ONLY

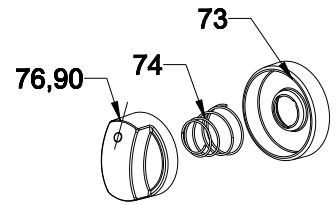
**KNOBS ( NEW FREESTANDING OVEN ONLY - OPTIONAL )**



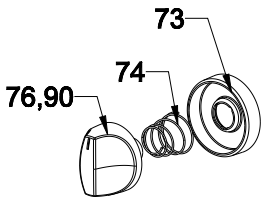
**DELTA RING**



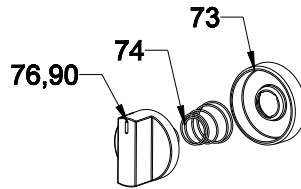
**ANTERO**



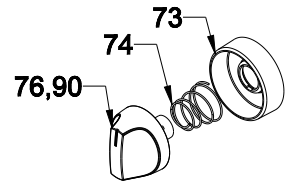
**ECLIPSE RING**



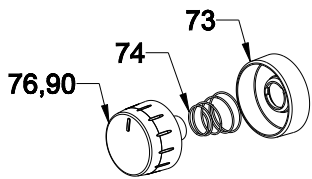
**GAMA RING**



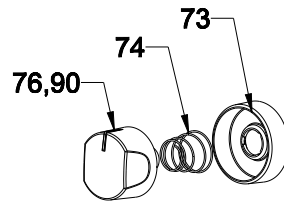
**NORD RING**



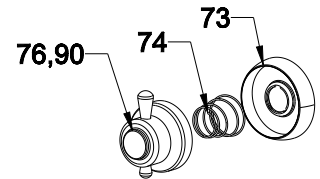
**PELGIRIM**



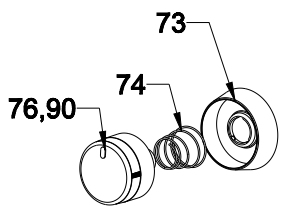
**OMEGA**



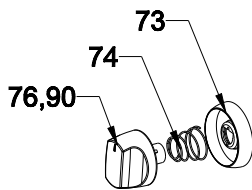
**RIMO RING**



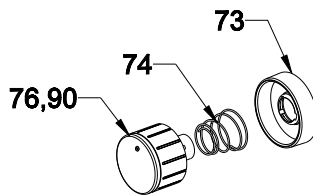
**RUSTIK RISUS RING**



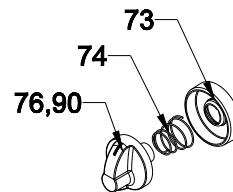
**SIGMA**



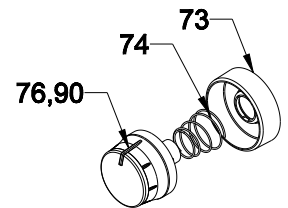
**TRIO**



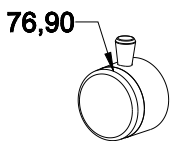
**SMALL MACRO RING**



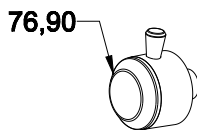
**VARIO RING**



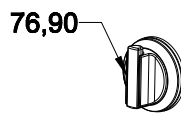
**SPEKTRUM**



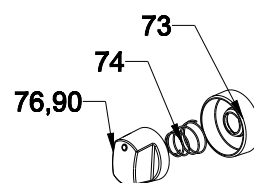
**AGA CLASSIC ONLY**



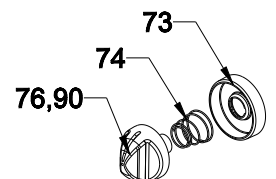
**AGA KITCHENER ONLY**



**AGA PROFESSIONAL ONLY**



**VESTA**



**ZETA RING**