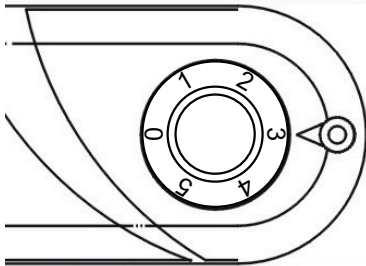


Description



Operation

Setting the temperature

The thermostat automatically regulates the temperature inside the refrigerator and freezer compartment.

- Under normal conditions, the recommended setting is setting 3. At 0, the refrigerator is switched off.
- Set a higher temperature by turning the tuning knob to setting 1 or 2.
- Set a lower temperature by turning the tuning knob to setting 4 or 5.

The temperature you set depends on the following factors:

- how often the door is opened;
- the room temperature of the installation location;
- the nature, temperature and amount of food.

Recommended temperature setting: 5 °C

In the freezer compartment, this will achieve an average temperature of -18 °C. The temperature can be adjusted continuously.



Please note!

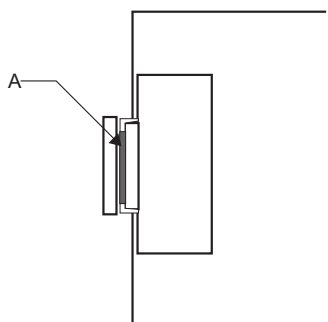
If you use the appliance for the first time, only fill it when the desired temperature is reached. If the appliance is switched off, you must wait at least 5 minutes before switching it on again. This prevents damage to the compressor.

There can be a foul smell when you switch on the appliance for the first time. This disappears when the appliance starts cooling.

Red "Door open" indication

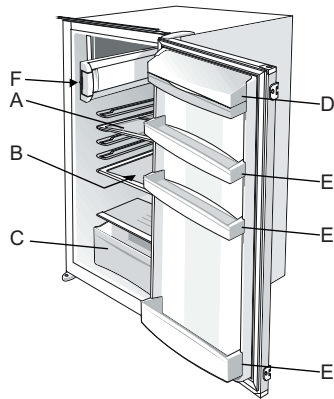
The red "door open" indicator (A) at the end of the freezer door indicates if the door is shut properly.

- Door not shut properly; indicator is visible;
- Door shut properly; indicator is not visible.



Always make sure the freezer door is shut properly. This prevents food in the freezer from defrosting and causing excessive ice formation. It also prevents unnecessary energy consumption.

Storing food



- **Storage platform position A**
 - ▷ Can be used for various types of food (cooked dishes) and drinks.
- **Storage platform position B**
 - ▷ Can be used for fish and meat, among other things.
- **Vegetable drawers C**
 - ▷ Can be used for fruit and vegetables.
- **Dairy shelf D**
 - ▷ Can be used for small dairy products, such as butter, margarine, yoghurt, cheese or whipped cream.
- **Door racks E**
 - ▷ Can be used for bottles, milk cartons, etc., among other things.
- **Freezer F**
 - ▷ Can be used for frozen food.



Caution; storing vegetables with a high water content may lead to condensation on the glass shelves of the vegetable and fruit drawer: this does not affect the proper functioning of the appliance.

Refrigerator section

The refrigerator is used for storing fresh food for a few days.

- Do not place any food directly against the back of the refrigerator. Leave a little space between the different foods to ensure ventilation.
- Do not put very hot food or steaming liquids in the refrigerator.
- Always cover food (airtight).
- Always cover jugs. This prevents excessive moisture and ice formation in the refrigerator.
- It is recommended to keep meat (products) packaged on the glass plate above the vegetable drawer, where it is coldest.
- Vegetables and fruit can be stored unwrapped in the vegetable drawer.

Freezer

The freezer is used for freezing fresh food and to store frozen foods. Check the maximum storage period indicated on the packaging. The freezer can also be used for making ice cubes.



- Make sure food to be frozen is packaged leakfree and airtight. Special freezer bags are ideal.
- **Please note!** Do not let food to be frozen come into contact with food that is already frozen.
- Always note the content and the freezing date on the packaging and do not exceed the storage period.
- In the event of a power failure or malfunction, the freezer will remain cold enough to store food for some time. However, avoid opening the door of the freezer as much as possible to prevent an increase in temperature.
- Place frozen foods in the freezer as soon as possible after purchase. Once food is defrosted, do not freeze it again.
- Never put hot food in the freezer.
- Check the packaging of food for damage before freezing it.
- When freezing fresh food (a maximum of 2 kg), set the thermostat to the highest setting (a maximum of 24 hours). Turn the thermostat back to the normal position as soon as the food is frozen.



See the manual for additional user information and safety instructions.

