

# ATAG



---

## **INSTRUCTIONS FOR USE**

Cooker hood

EN

CU902511RM

CU902555RM

CU122511RM

CU122555RM


# Contents

<b>Pictograms used</b> .....	<b>3</b>	<b>Wi-Fi-connectivity</b> .....	<b>14</b>
<b>Safety</b> .....	<b>4</b>	Wi-Fi/ConnectLife-app .....	14
.....	4	<b>Maintenance</b> .....	<b>20</b>
<b>Your cooker hood</b> .....	<b>7</b>	Cleaning .....	20
Dear customer! .....	7	Filter indication .....	22
Description hood .....	8	Lighting .....	22
Description user interface .....	8	Battery of the remote .....	23
<b>Operation</b> .....	<b>9</b>	<b>Technical data</b> .....	<b>24</b>
Description remote control .....	9	EU Product Sheet .....	24
Pairing the remote .....	9	EU Product Fiche .....	25
Switching extraction on and off .....	10	Compliance information .....	26
Switch on the boost setting .....	10	<b>Installation</b> .....	<b>27</b>
Switching on the timer .....	10	.....	27
Switching on recirculation mode .....	11	Preparations for installation .....	29
Switching off recirculation mode .....	11	Appliance dimensions .....	30
Clean Air function .....	12	Built-in .....	31
Switching the light on and off .....	12	<b>Environment</b> .....	<b>39</b>
Changing the colour lighting temperature ....	12	Tips for energy-efficient cooking with	
Making the connection between cooker hood		hoods .....	39
and hob .....	13	Disposal of the appliance and packaging ....	39
		<b>Your notes</b> .....	<b>40</b>

The following symbols are used throughout the manual, and they have the following meanings:

 INFORMATION!


**Information, advice, tip, or recommendation**

 WARNING!


**Warning – general danger**

 ELECTRIC SHOCK!

**Warning – danger of electric shock**

 HOT SURFACE!

**Warning – danger of hot surface**

 DANGER OF FIRE!

**Warning – danger of fire**

It is important that you carefully read the instructions.

## WARNING!

READ CAREFULLY AND KEEP IT FOR FUTURE REFERENCE!

### Safe use

- This appliance is only designed for household use.
- **CAUTION:** Accessible parts may become hot when used with cooking appliances.
- This appliance can be used by children aged from 8 years and above and persons with reduced physical, sensory or mental capabilities or lack of experience and knowledge if they have been given supervision or instruction concerning use of the appliance in a safe way and understand the hazards involved.
- Do not allow children to play with the appliance.
- Do not allow children to clean or maintain the appliance unless supervised.
- Always provide adequate ventilation!
- There shall be adequate ventilation of the room when the range hood is used at the same time as appliances burning gas or other fuels.
- When the range hood and appliances supplied with energy other than electricity are simultaneously in operation, the negative pressure in the room must not exceed 4 Pa ( $4 \times 10^{-5}$  bar).
- Local regulations concerning the discharge of air have to be fulfilled.
- Never use a pressure cleaner or steam cleaner to clean the appliance.

## ELECTRIC SHOCK!

Avoid the risk of electric shock; make sure the appliance is switched off before cleaning the appliance.

- Only use the appliance inside the home.

- Do not use the cooker hood if the grease filter has not been fitted properly!
- Do not lean against the cooker hood.
- Never use the cooker hood as a working surface unless this is indicated explicitly.
- Grease and oil are inflammable when overheated. Remain in the cooking area when preparing meals.
- To prevent hot fat from catching fire, you should only deep-fry under continuous supervision.
- The cooker hood should be cleaned regularly both on the outside as well as the inside (at least 1 x per month). Insufficient cleaning or a delay in the replacement of filters can cause a fire hazard.
- Clean the filters on time.
- The grease filters can become hot during use. After cooking wait at least 30 minutes before cleaning.
- **Please note!** Intensive use can lead to condensation on the cooker hood. Condensation is simple to remove with a dry cloth.
- Follow the instructions in the manual for cleaning or replacing the grease filters and/or carbon filters!



## DANGER OF FIRE!

There is a risk of fire if the instructions for cleaning or replacing grease filters and/or carbon filters are not followed.

Through grease deposits in the metal grease filter. Never work with open flame under the appliance (eg. flambéing). Always use the appliance with the metal grease filter. Clean the grease filter regularly.

Through overheated fat or oil. Never extinguish a fire with water; always use a fire blanket, lid or plate.

- The appliance may have sharp edges; please be careful during cleaning.

# Safety

- The light emitted by LED lights is very dazzling and can damage the eyes. Do not look directly into the switched on LED lights for longer than 100 seconds.
- When washing grease filters in the dishwasher it is recommended to use a short, non-intensive programme. Check the grease filter after washing in the dishwasher for wear (loose material). Wear can occur as a result of frequent washing. If loose material is visible, replace the filters in order to prevent this loose material from ending up in the food that is cooked.
- Do not use the appliance in temperatures below 5 °C.

## Dear customer!

Please read the operating instructions before use. They include general tips, information about the settings and adjustments you can make, and the best way to take care of your appliance.

### TIP!

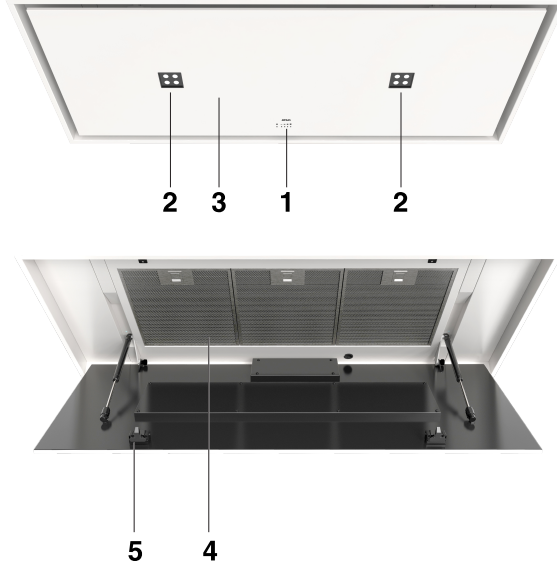
You can find the most recent version of the instructions for use on our website.

Enjoy your cooking!

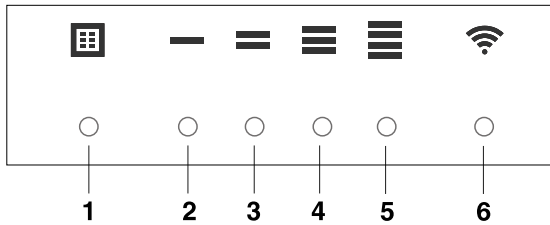
# Your cooker hood

## Description hood

1. User interface
2. LED spot
3. Edge extraction panel
4. Grease filter
5. Latch



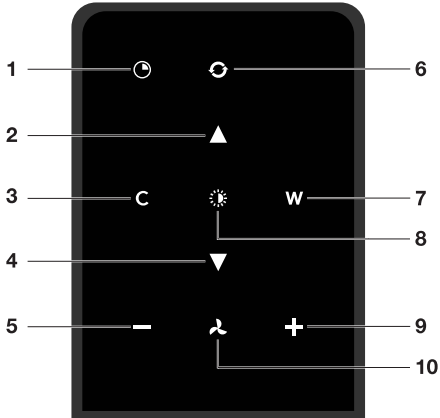
## Description user interface



1. Filter reset button, signals when filters require cleaning
2. Speed level 1 indicator
3. Speed level 2 indicator
4. Speed level 3 indicator
5. Speed level 4/boost indicator
6. Wi-Fi indicator



## Description remote control



1. Timer function
2. Increase light intensity
3. Colder light temperature
4. Decrease light intensity
5. Decrease air extraction capacity
6. Clean Air function
7. Warmer light temperature
8. Switch on/off lighting
9. Increase air extraction capacity
10. Fan on/off

## Pairing the remote

This remote control must be paired to the cooker hood before first use.

1. Start up the appliance (power on). The hood will start in 'pairing mode' for 5 minutes.
2. Activate the 'Remote pairing mode' by holding 'c' and 'w' for 3 sec.



3. During pairing all the indicators on the hood and remote will blink. All indicators will turn off when the connection is established.

*If the connection is not established repeat the entire pairing process.*

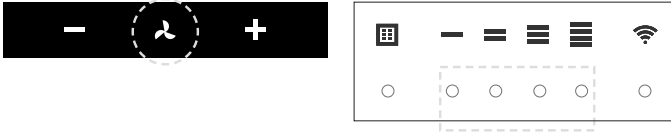
### NOTE!

Remote control will go into standby after 30 seconds. The remote will wake up when it is picked up or detects movement.

# Operation

## Switching extraction on and off

1. Press and hold the 'Fan' key on the remote for 1 second.



*The cooker hood will switch on at the lowest setting.*

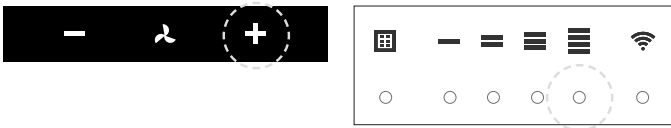
2. Press the '+' key again for a higher fan setting. Press and hold the '+' key for 1 second to select the highest setting (boost).
3. Press the '-' key to select a lower setting.  
*The extraction setting is indicated by the speed level indicators on the hood.*
4. To switch off the cooker hood, press and hold the 'Fan' key for 1 second.

### NOTE!

Lighting and motor key must be pressed for at least 1 second. This is to prevent the functions from being accidentally switched on or off.

## Switch on the boost setting

1. Press and hold the '+' button for at least 1 second.



*The boost setting is switched on for 10 minutes. The speed level 4 indicator will flash during this period. The original extraction setting will be reactivated after this period.*

2. Press and release the '-' key to switch off the boost setting.

### NOTE!

If the boost setting has been selected, the timer function cannot be activated.

## Switching on the timer

1. Press the timer key.



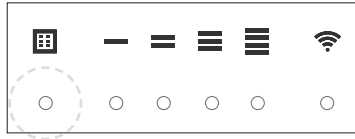
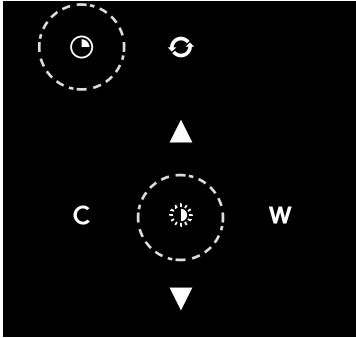
*The timer indicator will start to blink.*

*The cooker hood will switch off automatically after 10 minutes.*

2. Switch off the timer function by pressing a random button (except the one for lighting).

## Switching on recirculation mode

When the light and fan are off, simultaneously hold the timer key and the light key until the filter indicator flashes 3 times.



*The carbon filter indicator is activated.*

## Switching off recirculation mode

When the light and fan are off, simultaneously hold the timer key and the light key until the filter indicator lights up for 3 seconds and then turns off.

### TIP!

On delivery, this cooker hood is set for exhaust air to the outside. The hood can also be set to recirculation use (the air is blown back into the room after filtration through grease filters and a combi-filter).

With an RMS kit (recirculation modification set), the air will first be cleaned by the grease filters, and then odours will be filtered by the combi-filter. The cleaned air is recirculated back into the kitchen.

# Operation

## Clean Air function

The Clean Air function allows you to freshen the air in your kitchen for a maximum of 24 hours at level 1.

1. Switch off the cooker hood.
2. Press and hold the 'Clean Air' key for approximately 3 seconds.



*The cooker hood will switch on automatically for 10 minutes every hour at the lowest speed setting. During extraction, the indicator lights show a fast-running light. When the hood switches off after 10 minutes, the indicator lights show a slow running light until the hood switches on again after 50 minutes.*

3. Switch off the Clean Air function by pressing the timer, clean air, '-' or '+' keys (any key other than the light key).

## Switching the light on and off

1. Press and hold the light key for 1 second.

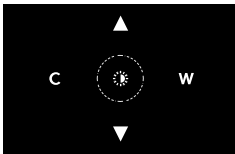
*The light switches on at maximum strength.*

2. Press and hold the 'increase light' or 'decrease light' key to set the lighting intensity.
3. To turn off the light, press and hold the light key for 1 second.

### NOTE!

Lighting and motor key must be pressed for at least 1 second. This is to prevent the functions from being accidentally switched on or off.

## Changing the colour lighting temperature



You can adjust the lighting temperature.

1. Press and hold the light key for 1 second.

*The light switches on at maximum strength.*

2. Press the 'C' key to make the light 'colder' or press the 'W' key to make the light 'warmer'.

## Making the connection between cooker hood and hob

To operate the cooker hood with the hob, you must make a connection between the hob and the hood.

To make the connection, the Connection setup mode of the cooker hood and the hob must be activated.

See also the manual for the hob. Check our website for the full range of hobs that can be connected to your cooker hood.

1. The hood and lights must be switched off.
2. Touch and hold simultaneously the – (minus) key and the + (plus) key for 3 seconds. All the indicators will blink simultaneously for a maximum of 3 minutes.
3. On your hob, activate the pairing mode in the user menu (see the hob manual). The connection to the hob is established.
4. If the connection is successful, the cooker hood will return to standby.

### NOTE!

When manually operating the hood in connection mode, the pairing will be lost and must be paired again.

# Wi-Fi-connectivity

## Wi-Fi/ConnectLife-app

The appliance is fitted with a Wi-Fi module that allows the appliance to connect to a mobile device such as a smartphone or tablet. It offers to monitor the appliance status via the mobile device.

### NOTE!

The monitoring function via mobile device shall not be used to replace the personal supervision of the cooking process directly on the appliance.

### Requirements:

- To use the Wi-Fi connectivity of the cooking hob, the range of your Wi-Fi router must extend to the hob. The cooking hob only supports 2.4 GHz networks. If, during the connection setup, your home network is not shown, check the router settings for 2.4 GHz, that the network is not hidden and the signal is strong enough.
- Additionally, a mobile device with an installed ConnectLife-app and a registered user account is required (see chapter 'ConnectLife-app').



### ConnectLife-app

The **ConnectLife app** is available on the Apple App Store and Google Play Store. After being paired with the hood, you can use the app to monitor the status of the hood.

Go to [www.connectlife.io/getstarted](http://www.connectlife.io/getstarted) to download the ConnectLife-app, information about the system, support and available features. Find additional options under [www.connectlife.io](http://www.connectlife.io).

### Getting started with the ConnectLife-app

Get started with your ConnectLife-app in 3 easy steps. Please check as addition chapter "First steps to set up the Wi-Fi connectivity". More help under [www.connectlife.io/getstarted](http://www.connectlife.io/getstarted).

1. Registration:
  - Install the ConnectLife-app.
  - Start the app.
  - Choose "Get Started" and follow the process.
  - If you are already registered, use the "Sign In" option.
2. Add the hood:
  - In the app: Go to "Appliances".
  - Choose "Add Appliances" or touch the + (plus) key.
  - Make sure Wi-Fi on the hood is turned ON, and the hood is in **connection setup mode** (see as addition 'First steps to set up the Wi-Fi connectivity').
  - Follow the instructions of the ConnectLife-app.
3. Start cooking:

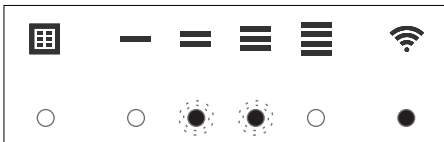
Congratulations, you can now start using ConnectLife together with your appliance.

## First steps to set up the Wi-Fi connectivity:

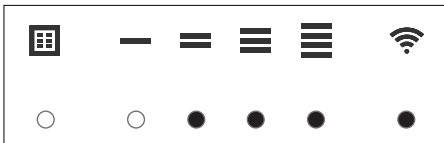
1. Check the "Requirements" as described above.
2. The hood and lights must be switched off.
3. Touch and hold simultaneously the – (minus) key and the + (plus) key for 3 seconds. All the indicators on the hood and remote will blink.
4. Press any key to enter the Wi-Fi configuration menu. Speed levels 2, 3 and 4 indicators light up.



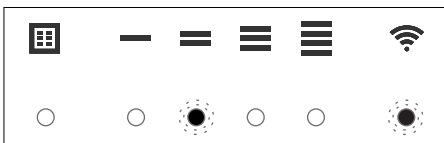
5. Touch the – (minus) key to turn on Wi-Fi. The Wi-Fi indicator will turn on and speed level 2 and 3 indicators will blink 3 times.



6. After 3 seconds it will return to the Wi-Fi-menu.



7. Touch the + (plus) key to enter the connection menu. Confirm with the timer key to start the 'Connection menu'. Speed level 2 indicator and Wi-Fi indicator will blink during the connection time. This mode will be disabled automatically after 5 minutes.



8. Start the ConnectLife-app and follow the instructions in the app.
9. If the ConnectLife-app does not connect to the device, wait 10 minutes and repeat the steps described or to leave the Wi-Fi menu touch and hold the light key for 3 seconds.

## 💡 INFORMATION!

Troubleshoot quickly by turning the Wi-Fi module off and on again. You can find more help in the "Wi-Fi troubleshooting" section.

# Wi-Fi-connectivity

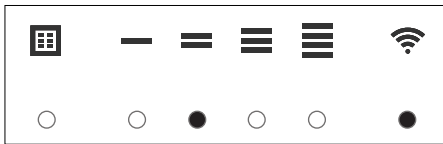
## Depending on the Wi-Fi state, there are 1 to 3 options available in the menu:

- The Connection Setup Mode
- The Pairing Mode
- Remote control mode

If more than 1 option is available then use the + (plus) and - (minus) keys to toggle between the options.

### Connection Setup Mode

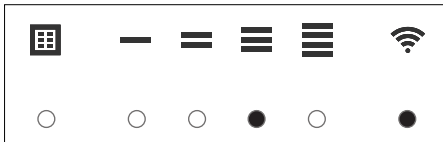
- The appliance must be connected to the Cloud for the application to monitor and control the appliance remotely.
- Speed level 2 indicator and Wi-Fi indicator will light up.



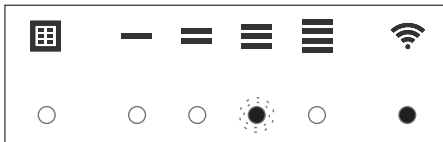
- Touch the timer key to enable 'Connection Setup Mode'. Speed level 2 indicator will flash.
- This mode will be disabled automatically after 5 minutes.
- Follow the instructions of the ConnectLife-app.

### Pairing Mode

When the process was successful and you want to pair another user, you can use the "Pairing mode" of the Wi-Fi menu and the "Pairing" or "Discovery" option of the ConnectLife-app. In the ConnectLife-app, select option 'Add Appliance' and follow the instructions.



- Touch the timer key to enable 'Pairing mode'. The speed level 3 indicator will flash.

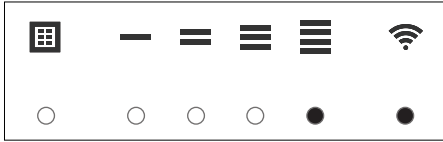


- This mode will be disabled automatically after 3 minutes.
- On the ConnectLife-app, use the 'Pairing' or 'Discovery' option of the ConnectLife app to pair another user.



## Remote control mode switch on and off

To be able to change function settings remotely, the appliance must be switched on and the ConnectLife-app must be enabled. Speed level 4 indicator and Wi-Fi indicator will lit static.



Remote control mode is only available if the Wi-Fi connectivity setup has been performed. Touch the timer key to enable 'Remote control'.

- Speed level 4 indicator is blinking: Remote control is enabled.



- Speed level 4 indicator lit static: Remote control is disabled.

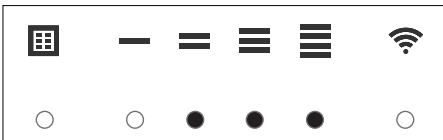


To close the Wi-Fi menu, touch and hold the light key for 3 seconds. If no key is touched within 10 minutes, the Wi-Fi menu will be switched off automatically, the hood will be back in standby mode.

## Wi-Fi menu

To access the Wi-Fi menu the hood must be on standby (the hood and lights must be switched off).

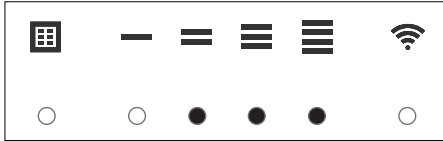
- Touch and hold simultaneously the – (minus) key and the + (plus) key for 3 seconds. All the indicators on the hood and remote will blink.
- Press any key to enter the Wi-Fi configuration menu. Speed levels 2, 3 and 4 indicators light up.



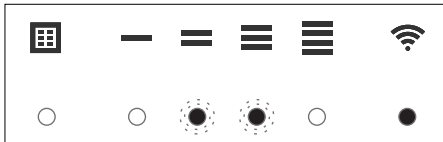
# Wi-Fi-connectivity

## Switching on Wi-Fi:

- The hood and lights must be switched off.
- Touch and hold simultaneously the – (minus) key and the + (plus) key for 3 seconds. All the indicators on the hood and remote will blink.
- Press any key to enter the Wi-Fi configuration menu. Speed levels 2, 3 and 4 indicators light up.

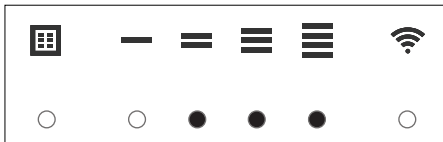


- Touch the – (minus) key to turn on Wi-Fi. speed level 2 and 3 indicators will blink 3 times. The Wi-Fi indicator will turn on. After 3 seconds it will return to the Wi-Fi menu.

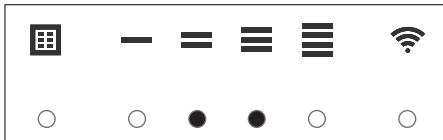


## Switching off Wi-Fi:

- The hood and lights must be switched off.
- Touch and hold simultaneously the – (minus) key and the + (plus) key for 3 seconds. All the indicators on the hood and remote will blink.
- Press any key to enter the Wi-Fi configuration menu. Speed levels 2, 3 and 4 indicators light up.



- Touch the – (minus) key to turn off Wi-Fi. speed level 2 and 3 indicators will lit static. The Wi-Fi indicator will turn off. After 3 seconds it will return to the Wi-Fi menu.



- To leave the Wi-Fi menu touch and hold the '–' (minus) key for 3 seconds.

## Displaying the Wi-Fi status:

- Wi-Fi module disabled: Wi-Fi indicator is off.
- Configuration in progress: Wi-Fi indicator flashes.
- Connected to home network router: Wi-Fi indicator flashes.
- Connected to home network router and cloud: Wi-Fi indicator continuously lit.

## Wi-Fi troubleshooting

Symptom	Possible cause	Solution
Wi-Fi icon not shown.	Wi-Fi turned off.	Switch on Wi-Fi (see 'Switching on Wi-Fi').
Wi-Fi setup failed.	Home network issues.	Check that your home network signal is strong and internet connection is working.
Home network is not displayed during connection setup.	The home network is not on 2.4 GHz, the network is hidden, or the signal strength is too weak.	Please check the network settings. Ensure a 2.4 GHz and visible network. If the signal is too weak, try to move the network router closer to the appliance.
Appliance is shown disconnected on the mobile app.	Wi-Fi is disabled or home network issues.	Ensure that Wi-Fi is enabled and the internet connection in your home network is working. Repeat the connection setup if necessary.
Other Wi-Fi problem.	Different causes.	First disable the Wi-Fi and enable it again. Check that the internet connection in your home network is working. Repeat the connection setup if necessary. Further troubleshooting available on <a href="http://www.connectlife.io">www.connectlife.io</a> or contact the service department.

# Maintenance

## Cleaning

### WARNING!

**Important!** For all maintenance, first, switch off the mains power to the cooker hood by pulling the plug out of the socket or by turning off the home's master switch. The hood needs to be cleaned regularly, both inside as well as outside (at least as often as the grease filter).

Do not use abrasive cleaning products. Do not use alcohol!

If the instructions regarding cleaning the appliance or replacing the filters are not followed, this can cause a fire. These instructions must be followed! The manufacturer is not liable for damage to the hood or fire damage resulting from incompetent maintenance or from non-adherence to the safety instruction above.

### **Cooker hood**

Clean the cooker hood with soapy water and a soft cloth.

Then rinse with clean water. Do not use aggressive cleaning agents such as caustic soda. The cooker hood finish stays in good condition if it is buffed periodically following the application of wax.

### NOTE!

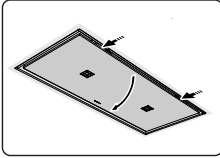
#### **Stainless steel cooker hoods**

Do not use scouring pads or other abrasive cleaners on stainless steel cooker hoods. Finish with a non-abrasive, non-polishing agent and buff the stainless steel in the direction of the grain.

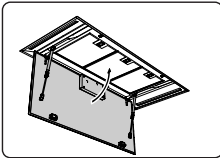
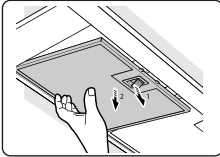
### **Metal grease filters**

Metal grease filters should be cleaned once a month (or when indicated by the filter cleaning indicator – if present on the model) using a neutral cleaning agent, either by hand or in the dishwasher on a short, low-temperature program. Place the grease filters with the openings facing downwards in the dishwasher so the water can drain out of the filter. Aluminium grease filters become dull as a result of dishwasher cleaning agents. This is normal and does not effect the working.

## Removing cassette filter



1. Switch off the motor and lighting.
2. Push in the latches and open the panel.
3. Open the filter's access latch. Support the filter with your hand.
4. Remove the filter from the hood.



## Cleaning

The filters can be cleaned in the dishwasher. Allow the filters to drain well before replacing.

The filters can also be cleaned by hand.

Clean the filters in soapy water with washing up liquid and rinse. Allow the filters to drain well. The underside of the cooker hood can be cleaned with a mild cleaning agent and a damp cloth. Dry off with a paper towel.

## Replacing cassette filter

The filter should be placed with the locking mechanism on the front. Open the filter access latch. The notches at the front of the filter will then slot in. Hold the access latch in this position when placing the filters.

1. Slot the notches at the back of the filter in the specially designed opening of the cooker hood.
2. Tilt the filter upwards.
3. Release the filter access hatch. The notches at the back of the filter will extend outwards and slot into the specially designed openings of the cooker hood.

*The filter is now in position again.*

4. Press the glass plate firmly in the seal again (you will hear a click).

## WARNING!

The edge extraction panel can be removed for cleaning. Two people are required when removing the edge extraction panel (due to its weight)!

# Maintenance

## Active carbon filters

The regenerable active carbon filter must be washed by hand with neutral cleaning products, or in the dishwasher at a maximum temperature of 65 °C (the washing should be done without any plates, dishes, cups, etc. in the machine). Do not use washing detergent.

Remove the excess water without damaging the filter, remove the holder and let the filter dry in the oven for at least 40 minutes at a maximum temperature of 70 °C.

To keep the regenerable carbon filter efficient, this action should be repeated every 2 months or when indicated by the filter indicator. The filter must be replaced after no more than 3 years, or if it has been damaged.

### CAUTION!

It is important that the grease filters and the regenerable active carbon filter are thoroughly dry before repositioning.

## Replacing the carbon filter

To replace the carbon filter, consult the manual for the recirculation kit.

## Filter indication

### Saturation of grease and carbon filters

The filters should be replaced or cleaned when the filter indicator is lit. See 'Maintenance' chapter.

### Grease filter

The filter indicator will light up after 30 operating hours.

- The grease filters should then be cleaned.
- Reset the memory by pressing and holding the filter reset button until the filter indicator goes off.

### Carbon filter

The filter indicator will flash after 120 operating hours.

- The carbon filter should then be cleaned or replaced.
- Reset the memory by pressing and holding the filter reset button until the filter indicator goes off.

## Lighting

### WARNING!

The hood is fitted with LED lights. An authorized technician must replace these. Do not attempt to replace the LED lights yourself.

## Battery of the remote

### NOTE!

- When the batteries are replaced the pairing connection will remain.
- Replace the batteries in time, as the receiving distance will be shortened if the voltage of the battery is too low.
- Don't forget to remove the batteries if you don't use the remote for a long time.
- Don't leave the remote lying upside down on a conductive surface.
- The warranty does not cover the batteries.
- The battery may drain more quickly in connection with the lit icons.
- Battery specifications: Two AAA batteries.

# Technical data

## EU Product Sheet

Data determined according to:

Standard EN61591 and Commission Regulations (EU) no. 65/2014 and (EU) no. 66/2014.

	<b>CU902511RM</b>	<b>CU122511RM</b>
Trademark	ATAG	ATAG
Type of model	WC90BA-BCC01	WC12BA-BCC01
Annual Energy Consumption ( $AEC_{hood}$ ) [kWh/a]	35.3	34.8
Energy efficiency class	A++	A++
Fluid Dynamic Efficiency ( $FDE_{hood}$ ) [%]	37.6	37.9
Fluid Dynamic Efficiency class	A	A
Lighting Efficiency ( $LE_{hood}$ ) [lux/W]	235.3	210.7
Lighting Efficiency class	A	A
Grease Filtering Efficiency ( $GFE_{hood}$ ) [%]	81.8	78.8
Grease Filtering Efficiency class	C	C
Air flow at minimum and maximum speed in normal use [m <sup>3</sup> /h]	312 / 402	326 / 409
Air flow at intensive or boost setting [m <sup>3</sup> /h]	708	716
Airborne acoustical A-weighted sound power emissions at minimum and maximum speed in normal use [dB(A)]	50 / 57	51 / 58
Airborne acoustical A-weighted sound power emissions at intensive or boost setting [dB(A)]	70	69
Power consumption off mode ( $P_o$ )	-	-
Power consumption in standby mode ( $P_s$ ) [W]	0.35	0.35



	<b>CU902555RM</b>	<b>CU122555RM</b>
Trademark	ATAG	ATAG
Type of model	WC90BA-BCC01	WC12BA-BCC01
Annual Energy Consumption ( $AEC_{hood}$ ) [kWh/a]	35.3	34.8
Energy efficiency class	A++	A++
Fluid Dynamic Efficiency ( $FDE_{hood}$ ) [%]	37.6	37.9
Fluid Dynamic Efficiency class	A	A
Lighting Efficiency ( $LE_{hood}$ ) [lux/W]	235.3	210.7
Lighting Efficiency class	A	A
Grease Filtering Efficiency ( $GFE_{hood}$ ) [%]	81.8	78.8
Grease Filtering Efficiency class	C	C
Air flow at minimum and maximum speed in normal use [ $m^3/h$ ]	312 / 402	326 / 409
Air flow at intensive or boost setting [ $m^3/h$ ]	708	716
Airborne acoustical A-weighted sound power emissions at minimum and maximum speed in normal use [dB(A)]	50 / 57	51 / 58
Airborne acoustical A-weighted sound power emissions at intensive or boost setting [dB(A)]	70	69
Power consumption off mode ( $P_o$ )	-	-
Power consumption in standby mode ( $P_s$ ) [W]	0.35	0.35

## EU Product Fiche

	<b>CU902511RM</b>	<b>CU122511RM</b>
Time increase factor (f)	0.6	0.6
Energy Efficiency Index ( $EEl_{hood}$ )	35.3	35.3
Measured air flow rate at best efficiency point ( $Q_{BEP}$ ) [ $m^3/h$ ]	433	447
Measured air pressure at best efficiency point ( $P_{BEP}$ )	472	478
Measured electric power input at best efficiency point ( $W_{BEP}$ )	151	149
Nominal power of the lighting system ( $W_L$ )	3	3
Average illumination of the lighting system on the cooking surface ( $E_{middle}$ ) [lux]	706	632

# Technical data

	<b>CU902555RM</b>	<b>CU122555RM</b>
Time increase factor (f)	0.6	0.6
Energy Efficiency Index (EEI <sub>hood</sub> )	35.3	35.3
Measured air flow rate at best efficiency point (Q <sub>BEP</sub> ) [m <sup>3</sup> /h]	433	447
Measured air pressure at best efficiency point (P <sub>BEP</sub> )	472	478
Measured electric power input at best efficiency point (W <sub>BEP</sub> )	151	149
Nominal power of the lighting system (W <sub>L</sub> )	3	3
Average illumination of the lighting system on the cooking surface (E <sub>middle</sub> ) [lux]	706	632

## Compliance information

Radio equipment type	RF module
Operating frequency range	2402 - 2477 MHz (16 channels)
Maximum output power	-5.2 dBm EIRP average (calculated)
Maximum antenna gain	-7 dBi

Radio equipment type	Wi-Fi module
Operating frequency range	2412 - 2472 MHz (16 channels)
Maximum output power	17.7 dBm EIRP average (calculated)
Maximum antenna gain	2.7 dBi

Hereby, ATAG declares that the radio equipment type Cooker hood is in compliance with Directive 2014/53/EU.

## Safety regulations

### WARNING!

This appliance should only be connected by a registered installer.

- Always follow the installation instructions in the installation manual provided.
- Check the appliance for transport damage. Do not connect a damaged appliance.
- Faulty parts may only be replaced by original parts.  
The manufacturer can only guarantee that original parts meet safety requirements.
- If the supply cord is damaged, it must be replaced by the manufacturer, its service agent or similarly qualified persons in order to avoid a hazard.
- Always use the original Supply cord to connect the appliance.
- The electrical connection must comply with national and local regulations.
- The wall plug socket and plug should always be accessible.
- If a stationary appliance is not fitted with a supply cord and a plug, or with other means for disconnection from the supply mains having a contact separation in all poles that provide full disconnection under overvoltage category III conditions, the means for disconnection must be incorporated in the fixed wiring in accordance with the wiring rules. This is also applicable for appliances with a supply cord and plug when the plug is not accessible after installing the appliance. Using an omnipolar switch with a contact separation of at least 3 mm fitted in the fixed wiring will fulfil this requirement.
- The appliance should not be connected to the mains via a multi-plug adapter or extension cable, as the safe use of the equipment cannot be guaranteed.

# Installation

## WARNING!

Never open the casing of the appliance.

- Disconnect the appliance from the mains supply before starting any repair work.
- We advise you to wear protective gloves when assembling the cooker hood because of the possible sharp edges.
- The distance between the lowest point of the cooker hood and the supporting surface for the cooking vessels gas hob should be at least 65 cm.
- If the instructions of the gas hob specify a greater distance, this has to be taken into account.

## WARNING!

Failure to install screws or fixing devices in accordance with these instructions may result in an electrical hazard.

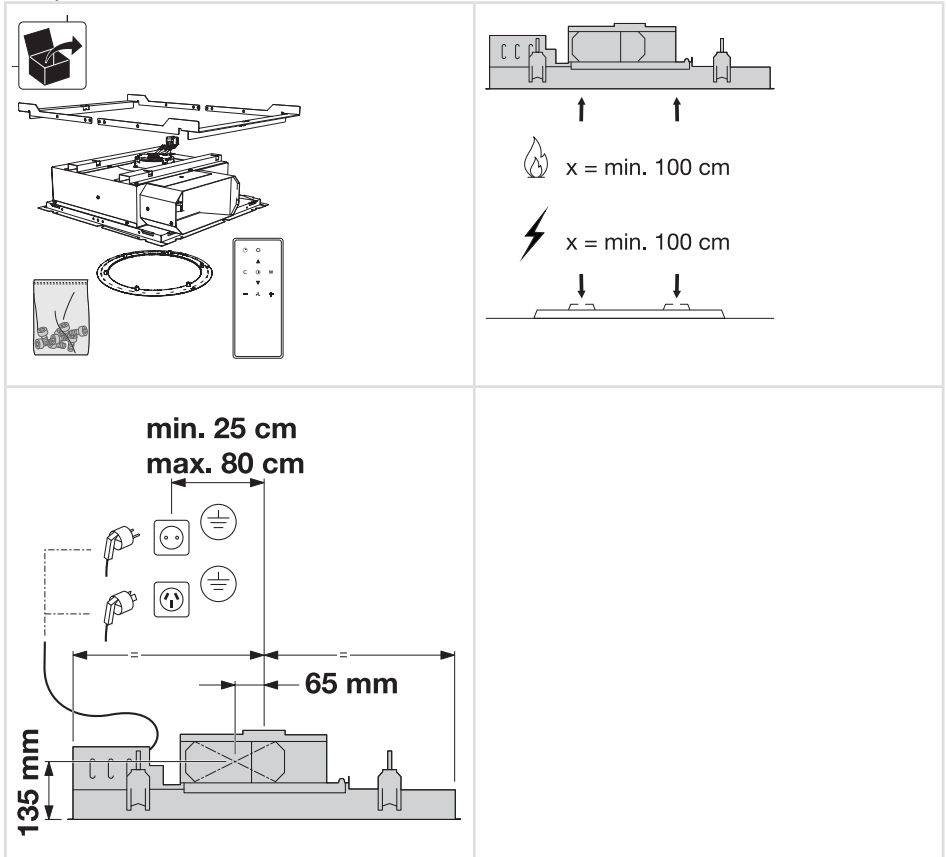
If the safety instructions and warnings are not followed, the manufacturer cannot be held responsible for any resulting damage.

If you decide to discontinue using the appliance because of a fault, we recommend you cut off the cable after removing the plug from the plug socket. Take the appliance to your municipality's waste disposal site.

### **Place the appliance in an environment that meets the following conditions:**

- Ambient temperature range: +5....+40 °C;
- Humidity: 30....70% RH;
- Maximum altitude: 2000 meters above sea level.

## Preparations for installation



### CAUTION!

Do not fit the appliance directly onto plasterboard (or similar lightweight materials) in a suspended ceiling.

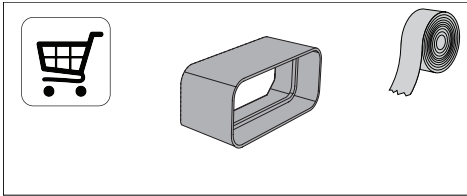
Install the appliance with a fixing material which is sufficiently stable and has been adjusted accordingly for both the structural conditions and the weight of the appliance.

# Installation

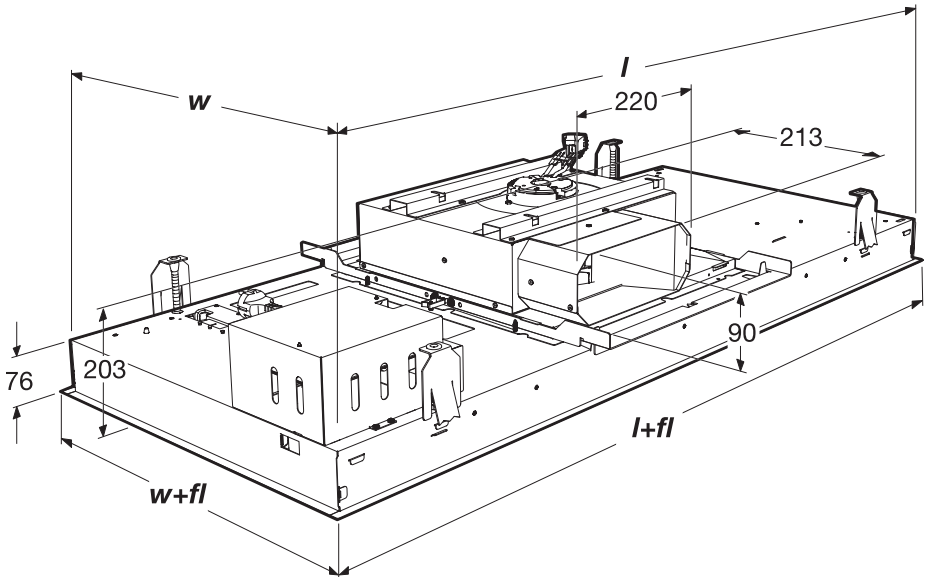
## Flexible channel installation



## Fixed channel installation

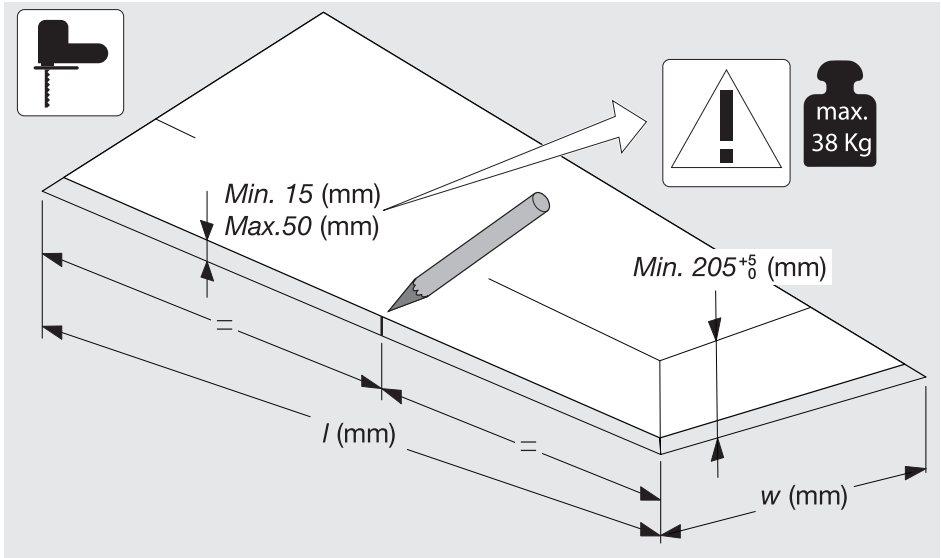


## Appliance dimensions



	<b>l</b>	<b>w</b>	<b>l+fl</b>	<b>w+fl</b>
CU905xxRM	840	480	864	504
CU12xxRM	1140	480	1164	504
CU127xxRM	1200	700	1224	724

## Built-in

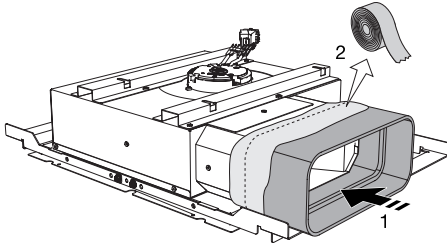


	liter	W	kg
CU9055TMM	847 <sub>±2</sub>	487 <sub>±2</sub>	21
CU1255TMM	1147 <sub>±2</sub>	487 <sub>±2</sub>	27
CU12754TMM	1207 <sub>±2</sub>	707 <sub>±2</sub>	38

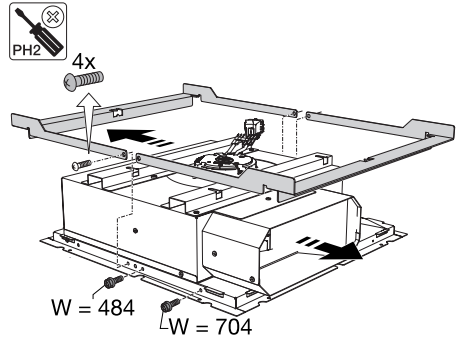
# Installation

## Fixed channel installation

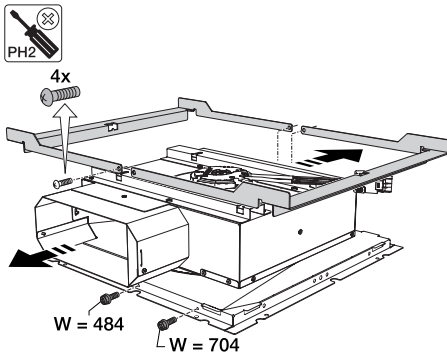
1



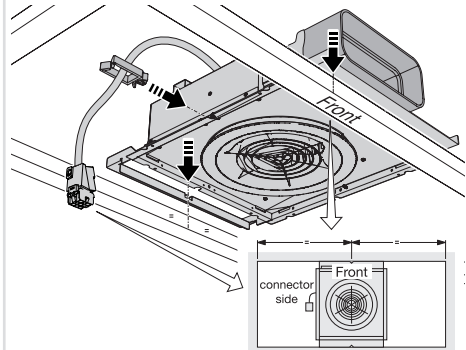
2



3

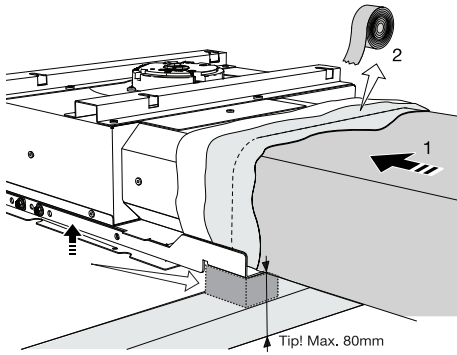


4

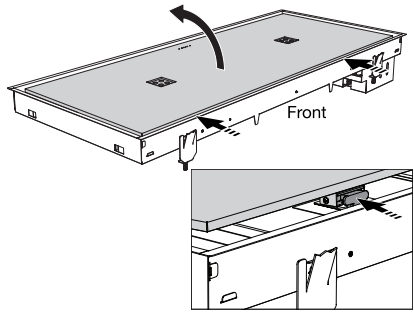




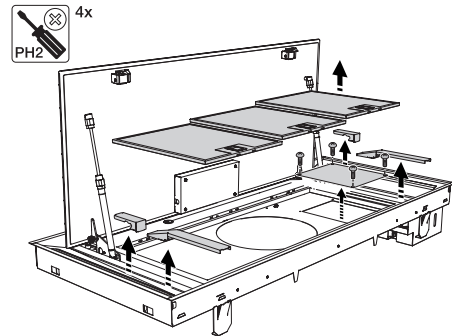
5



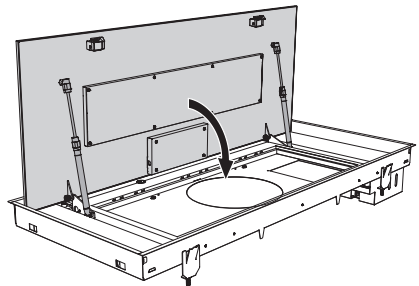
6



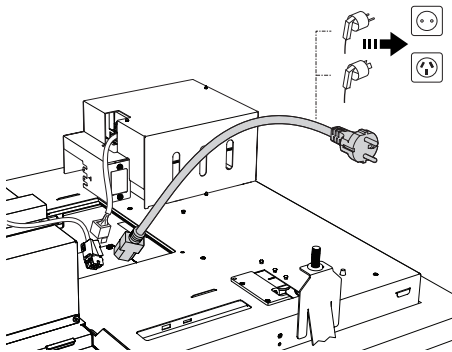
7



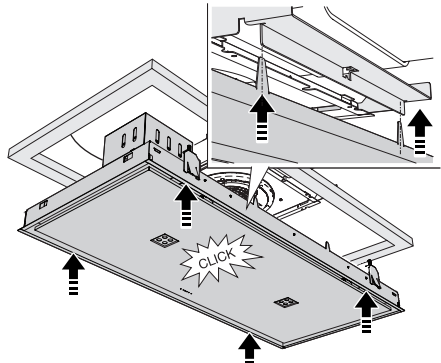
8



9



10

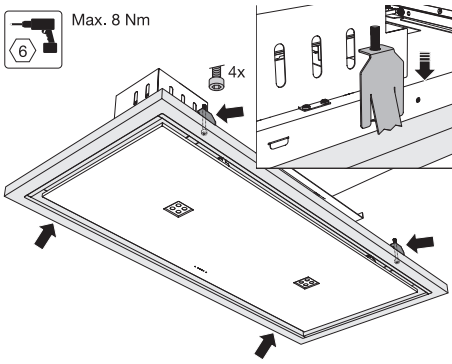


# Installation

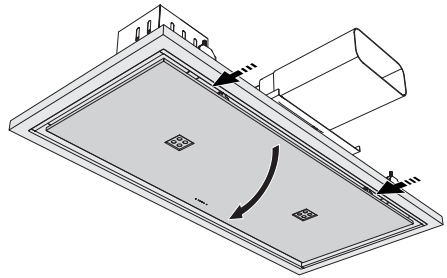
11



Max. 8 Nm



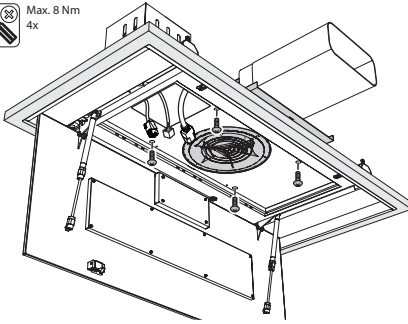
12



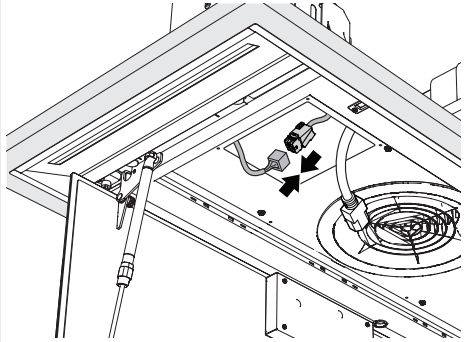
13



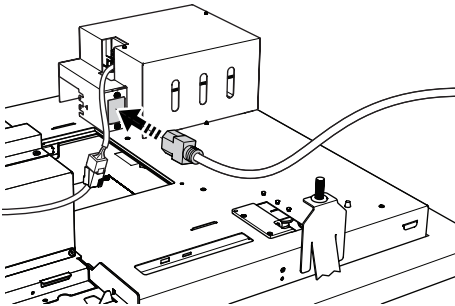
Max. 8 Nm  
4x



14



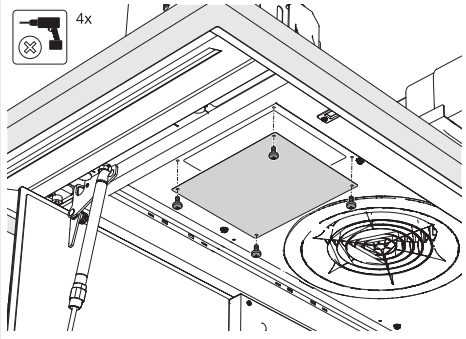
15



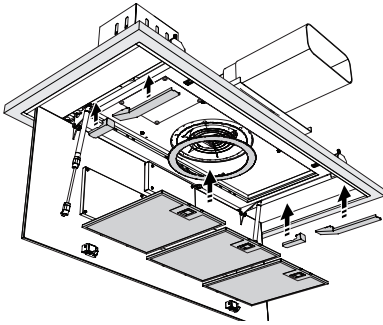
16



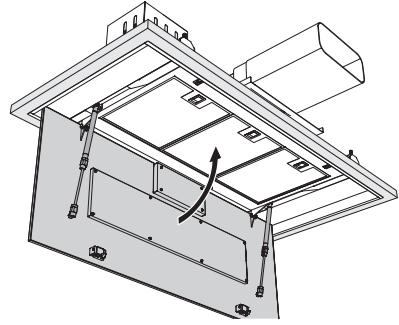
4x



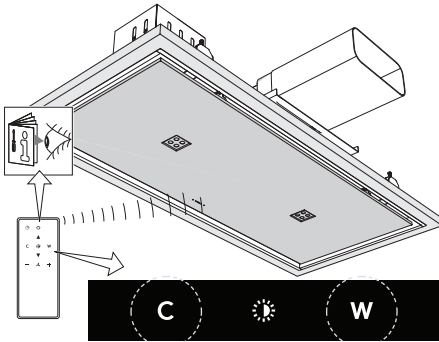
17



18



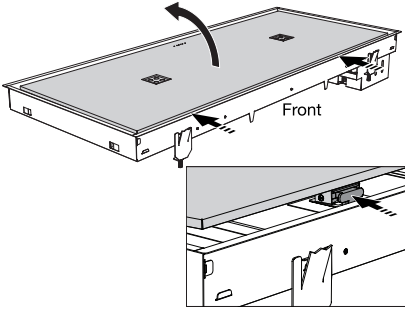
19



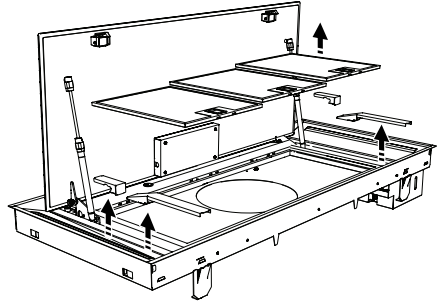
# Installation

## Flexible channel installation

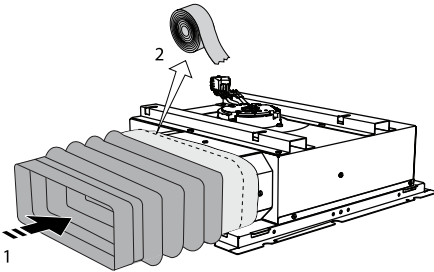
1



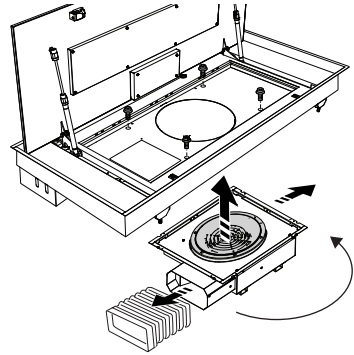
2



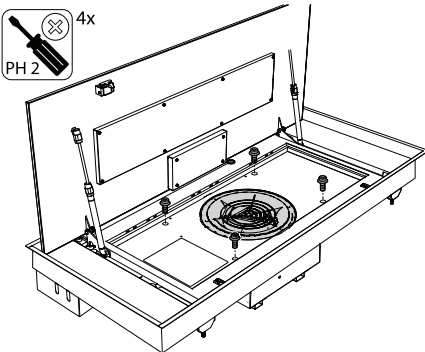
3



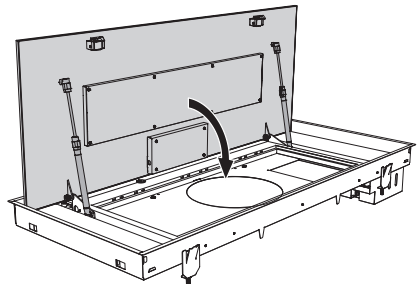
4



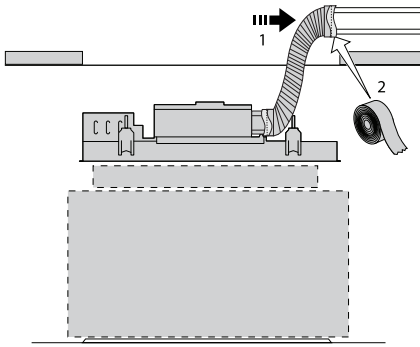
5



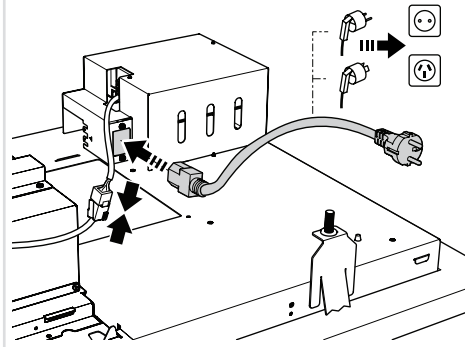
6



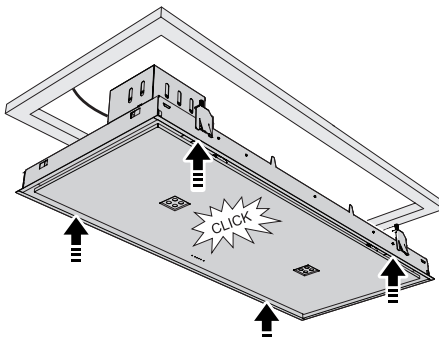
7



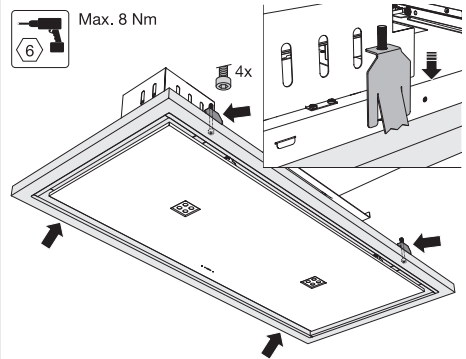
8



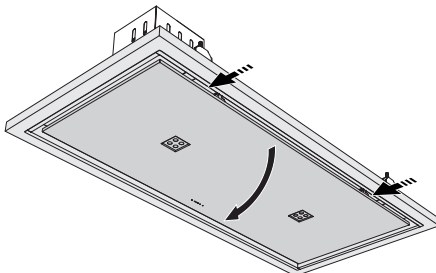
9



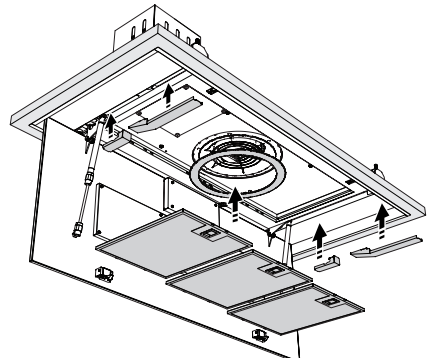
10



11

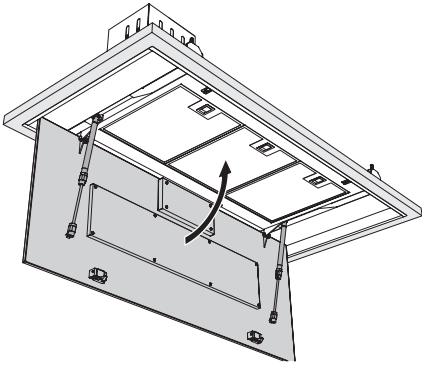


12

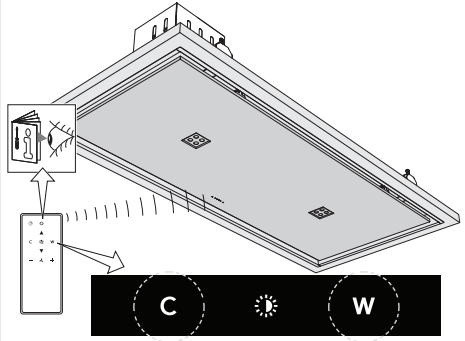


# Installation

13



14



## Tips for energy-efficient cooking with hoods

- Use a low extractor setting and use the highest setting (boost) if necessary.
- A well-ventilated kitchen makes the range hood more efficient.
- Clean filters regularly and replace filters when needed to keep the filter efficiency high, as a saturated filter cannot perform and leads to longer usage times.

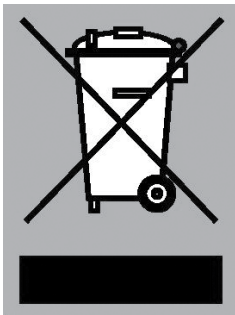
## Disposal of the appliance and packaging

Sustainable materials have been used during the manufacture of this appliance. This appliance must be disposed of responsibly at the end of its service life. Ask your local authorities for more information about how to do this.

The appliance packaging is recyclable. The following may have been used:

- cardboard;
- polyethylene film (PE);
- CFC-free polystyrene (PS rigid foam).

Dispose of these materials in a responsible manner and in accordance with government regulations.



The product has been marked with a crossed-out dustbin symbol to remind you of the obligation to dispose of electrical household appliances separately. This means that the appliance may not be included with normal domestic refuse at the end of its service life. The appliance must be taken to a special municipal centre for separated waste collection or to a dealer providing this service.

A separate collection of household appliances helps to prevent any potential negative impact on the environment and on human health caused by improper disposal. It ensures that the materials of which the appliance is composed can be recovered to obtain significant savings in energy and raw materials.



### Declaration of conformity

We hereby declare that our products satisfy the applicable European directives, orders and regulations, as well as the requirements stated in the referenced standards.

# ATAG

[www.atag.nl](http://www.atag.nl)  
[www.atag.be](http://www.atag.be)



864560-a1



*We reserve the right to make changes.*