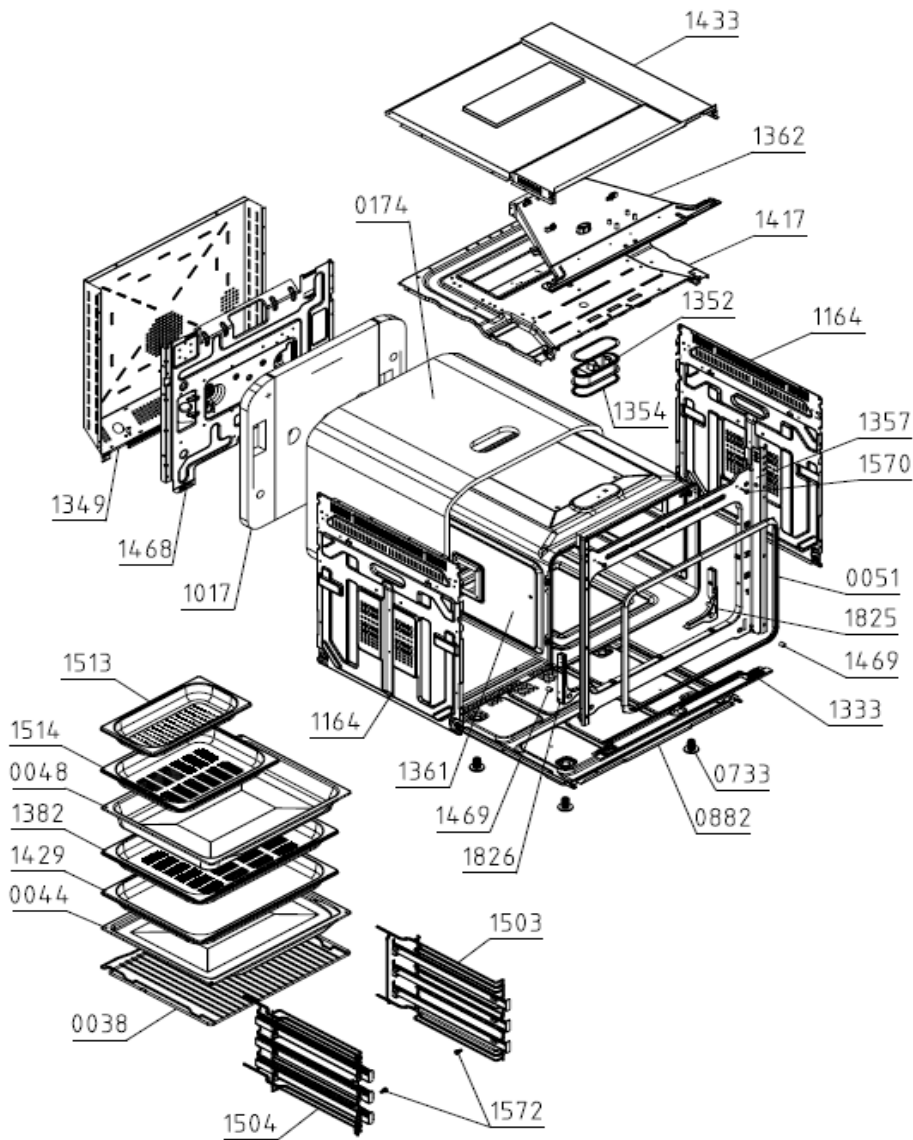


# SPARE PARTS LIST

Type	BO6SA2T1-42W	Brand name	ATAG
Model	CS6574M1C	Version	1462017
Art. No.	728423	Service index	1

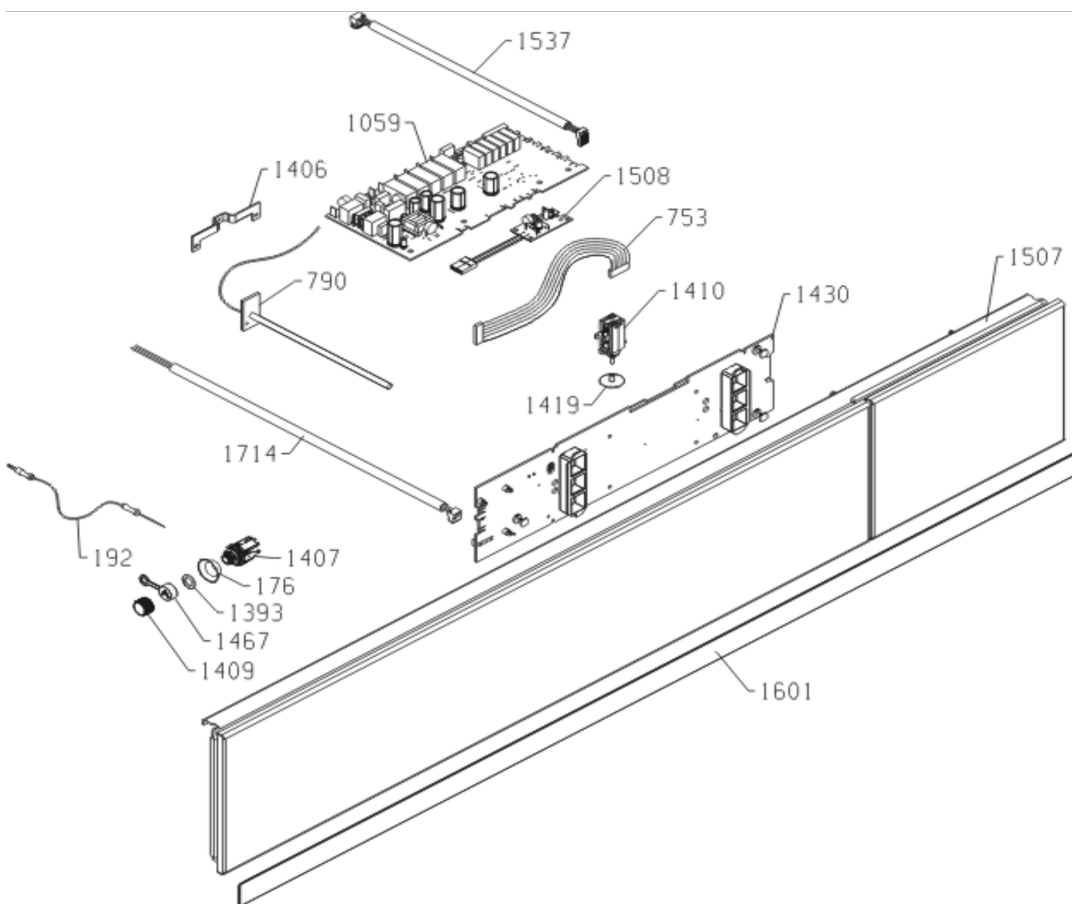
## 013049



Position	Ident	Spare part description	Quantity	Validity	Extra ID
0038	495912	OVEN GRID LUX NR EP.AC066 PEL	2		
0044	442436	BAKING TRAY BIO EM 7011	1		
0048	442727	FRYING PAN BD180/P1 AC055 PEL	1		
0051	437553	DOOR GASKET BIO 60 STEAM	1		
0174	437584	OVEN CASING INSULATION BIO 60 STEAM 2L	1		
0733	621307	SOCLE FOOT NG500	4		
0882	437125	BOTTOM NGVA3-BIO 45/60	1		
1017	514186	REAR WALL ISOLATION BIO 60-PROT	1		
1164	460593	OVEN SIDE PANEL NG3 BIO PIRO 60	2		
1333	442726	CONDENSE STRIP LA9011	1		
1349	437136	PROTECTIVE PANEL BIO 60	1		
1352	461499	OVEN AIR VENT FLANGE BIO STEAM 60 LVL	1		

1354	437213	AIR VENTILATION FLANGE GASKET BIO STEAM 45/60	2		
1357	496843	FRONT WALL ASSY 60 ST REED MAGNA EM	1		
1361	423391	OVEN ASSY 60 ST 2L+S EM	1		
1362	497593	EXHAUST AIR DUCT BIO STEAM 45/60-MAGNA	1	Before CHECK 4-033-1606	
1382	453238	STEAM BAK. PAN GN 454X324X40 AC067 PEL	1		
1417	438907	PARTITION SHEET METAL PART BIOSTEAM INOX ASSY	1		
1429	453262	STEAM BAK. PAN GN 454X324X40 AC065 PEL	2		
1433	497055	CEILING BIO STEAM 60 MAGNA ASSY	1		
1469	480787	SILICONE SPACER HOSE HINGE HOLDER	2		
1503	504279	GUIDES FULL EXT.60 R ASSY	1		
1504	504280	GUIDES FULL EXT.60 L ASSY	1		
1513	464569	STEAM BAKING PAN GN 1/3X40 PERFORATED	1		
1514	464571	STEAM BAKING PAN 1/2X40 PERFORATED	1		
1570	235270	DOOR SPACER NG3	2		
1572	435578	SCREW M5X13,5 FIXING HEATER,GUIDE INOX	4		

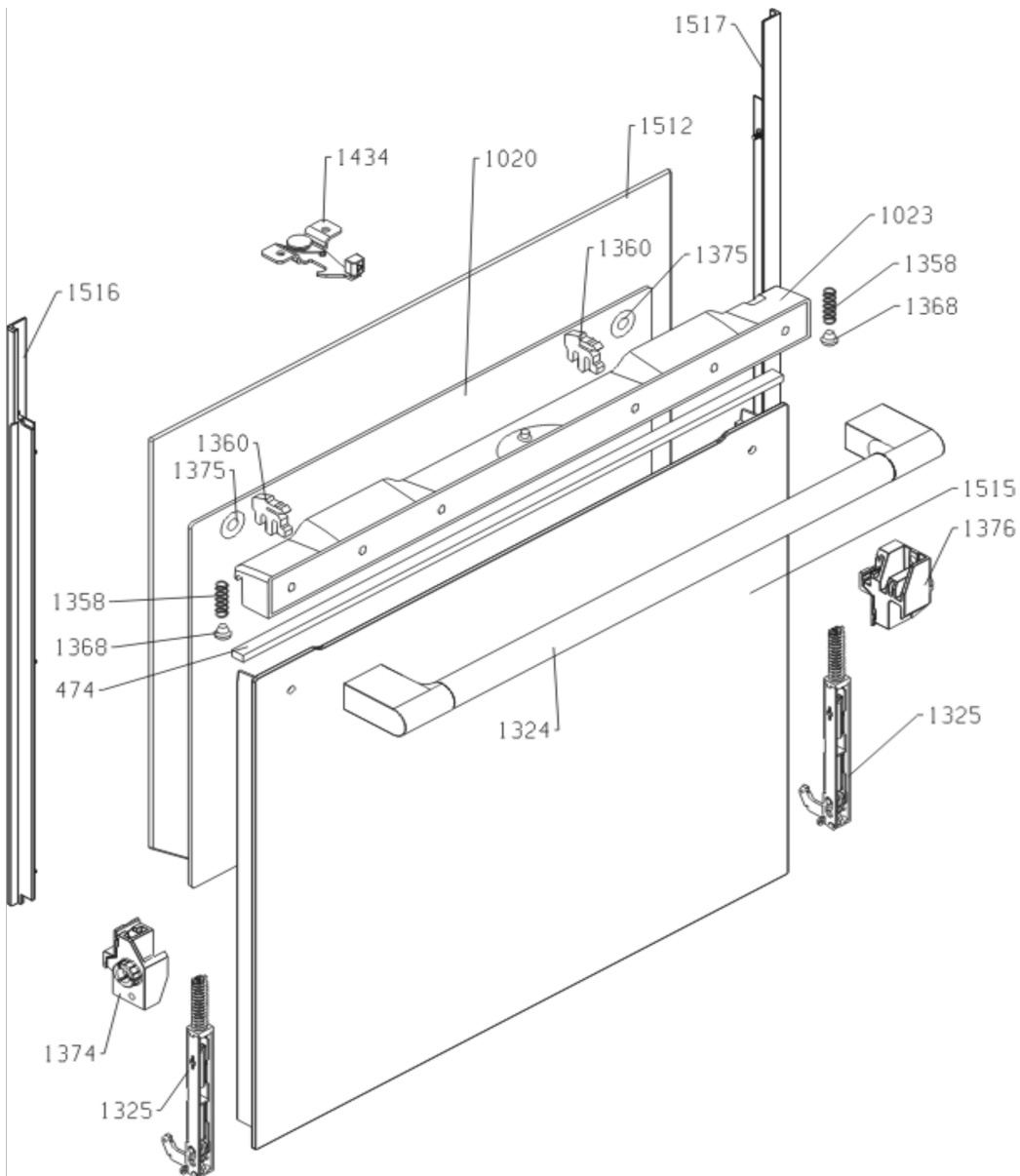
014238



Position	Ident	Spare part description	Quantity	Validity	Extra ID
0176	387185	PROBE CONNECTOR SHIELD	1		
0192	274862	MEAT PROBE TELEKKON	1		
0753	446326	WIRE HARNESS IPC UI-DOT M	1		
0790	436963	SENSOR PT1000 SENSOR-MOT 50MM	1		
1059	571454	RELAY MODULE FULL VERS.6SA-SER MAG N RE	1		
1406	315510	SENSOR CLAMP P	1		
1407	274863	CONNECT.SLEAVE FOR MEAT PROBE TELEKKON	1		
1410	436960	THERMOACTUATOR ELTEK 6MM	1		
1419	437212	ACTUATOR GASKET BIO STEAM 45/60	1		
1430	577374	INTERFACE CONTROL TFT MAGNA 4.3-G-WIFI	1		

1467	476097	PROBE SOCKET COVER SILICONE	1		
1507	513467	FRONT PANEL BIO TFT CS MAGNA	1		
1537	534350	WIRING HARNESS DIGMESA NANO POLIDEL	1		
1508	495170	RECTIFIER STEAM 24VDC BIO	1		
1601	493278	STRIP MAGMA ALU	1,000		
1714	437886	WIRING HARNESS IPC MEAT PROBE	1		

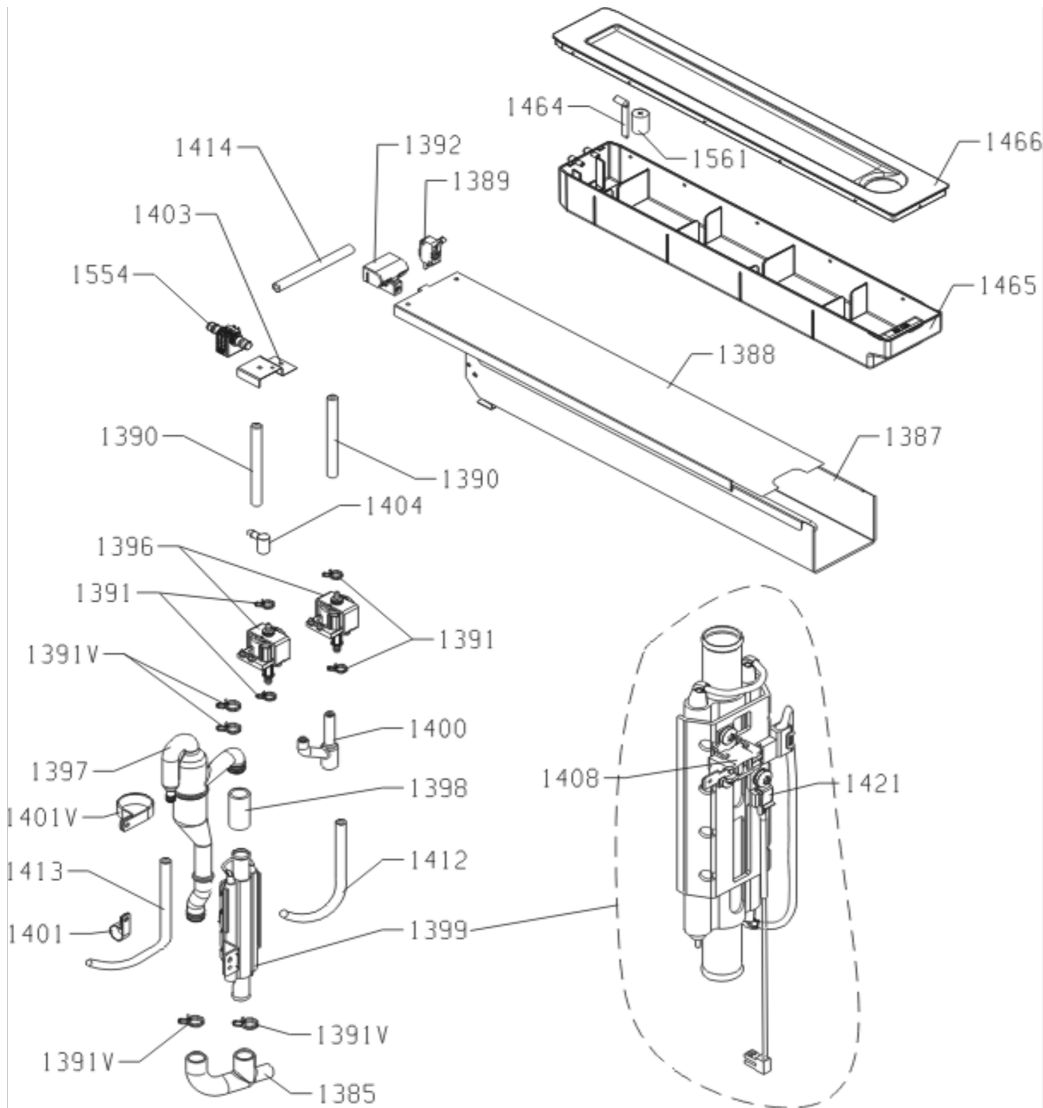
**015056**



Position	Ident	Spare part description	Quantity	Validity	Extra ID
0474	607678	FOAM GASKET 2X7X2.14M	1		
1020	437456	OVEN DOOR GLASS BIO 60 PREM-PIRO	2		
1023	493289	DOOR AIR DUCT PREM.BIO REED BZ MAG/MAT	1		
1324	493269	DOOR HANDLE MAGNA R6-152 VZ065	1		
1325	558302	DOOR HINGE BIO60 SC/SO STEAM	2		
1358	421512	AIR DUCT DOOR SPRING NG3 HF	2		

1360	421160	RUBBER CARRIER DOOR GLASS	2		
1368	316066	PLUG SPRING	2		
1374	493409	INTERMEDIATE GLASS HOLDER HF R MAG KPL	1		
1375	299172	SPACER	2		
1376	493410	INTERMEDIATE GLASS HOLDER HF R MAG ASSY	1		
1512	493433	DOOR GLASS-INNER BIO 60 MF/ST MAG	1		
1515	494917	DOOR GLASS BIO MF 6-163 LUX GLU 9005	1		
1516	499035	SIDE PROFILE VERT.L BIO60 MAGNA	1		
1517	499221	SIDE PROFILE VERT.R ALU.BIO60 D MAG.ST	1		

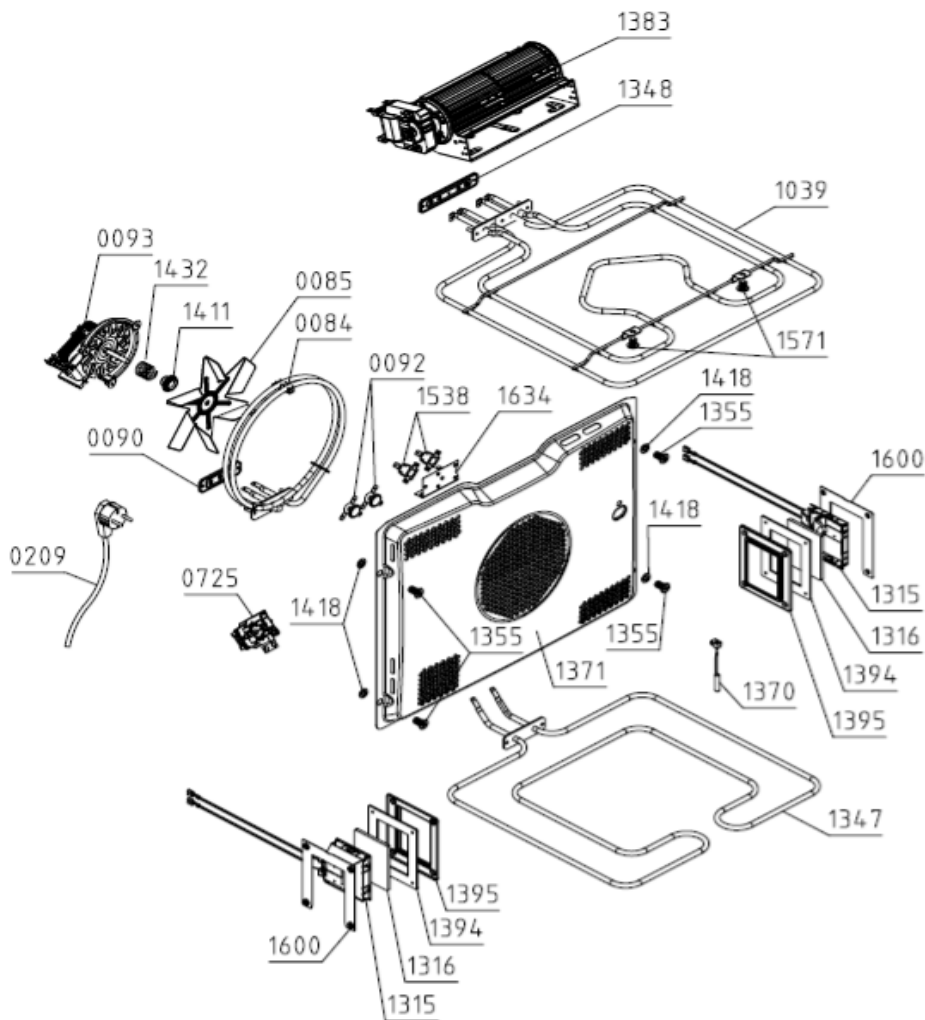
## 016007



Position	Ident	Spare part description	Quantity	Validity	Extra ID
1385	438207	T HOSE GENERATOR	1		
1387	438279	WATER RESERVOIR DRAWER BIO ASSY	1		
1388	438274	WATER TANK DRAWER COVER BIO	1		
1389	452823	MICROSWITCH-WATER TANK DET.METALFLEX	1		
1390	438234	WATER HOSE 3 BIO D5/D10	2		
1391	387524	CLAMP - WIRE D 10	5		
1391V	496285	HOSE SPRING CLAMP 22226	4		
1392	513378	WATER RESERVOIR GASKET BIO 5/8	1		
1396	535280	PUMP ULKA NME 1S 50HZ,PROTECTOR ASSY	2		
1397	513382	STEAM SEPARATOR HYDROCYCLON LONG	1		
1398	438208	CONNECTION TUBE GENERATOR D15/D20X40	1		
1399	470889	STEAM GENERATOR IRCA ASSY	1		

1400	442789	ITEM Y TUBE	1		
1401	438209	HOSE CLAMP NE10	1		
1401V	438700	HOSE CLAMP NE20	1		
1408	440919	THERMO FUSE 170C+PROTECTOR 260C	1		
1412	438498	WATER HOSE 4 BIO 60 D5/D10	1		
1413	438231	STEAM HOSE BIO D6/D10	1		
1421	440918	TEMPERATURE SENSOR NTC STEAM GEN.	1		
1464	438465	WATER RESERVOIR SIPHON BIO	1		
1465	438283	WATER RESERVOIR BIO	1		
1466	438463	COVER WATER TANK BIO	1		
1554	513260	FLOW SENSOR DIGMESA NANO	1		
1561	547927	FOAM FILTRATION STEAM	1		

### 017043



Position	Ident	Spare part description	Quantity	Validity	Extra ID
0084	437926	HEATER BIO FAN STEAM 60 2100W EGO	1		
0085	561431	OVEN FAN BLADE ASKOLL 60-INOX 4MM	1		
0090	437558	GASKET ROUND HEATER	1		
0093	561426	OVEN FAN ASKOLL 4MM	1		
0209	538172	CONNECTING CABLE MKE H05WV-F 7X1-5	1		
0725	426498	CONNECTING CLAMP 2/3 NOVA	1		
1039	437924	HEATER BIO UI STEAM 60 2700W EGO	1		
1315	436968	SIDE LAMP VS-G9-OKOV ASSY	2		

1316	476307	SIDE LAMP GLASS VS-G9 VS-G9 STEAM	2		
1347	437929	HEATER BIO BOT 60 1100W EGO	1		
1348	437555	HEATER GASKET UPP	1		
1355	435576	SCREW OVEN FAN COVER M8X12 NR	4		
1370	452282	SWITCH REED MEDER-KONEKTOR 4PIN LUM.ASSY	1	Before CHECK 4-033-1606	
1371	423409	FAN COVER 60 EM7011	1		
1383	523150	COOLING FAN ASKOLL SINGLE 1000	1		
1394	436971	SIDE LAMP GASKET VS-G9	2		
1395	436972	SIDE LAMP FRAME VS-G9-SS	2		
1411	437526	GASKET FAN MOTORBIO STEAM	1		
1418	437566	GASKET M8 SCREW	10		
1432	437532	SPRING OF OVEN FAN GASKET BIO STEAM	1		
1538	512920	THERMOSTAT CUT-OUT ELTH CERAM.T300	2		
1571	435577	SCREW M8X12 HEATER,GUIDE INOX	4		
1600	560722	FIXING PLATE ST ASSY	2		
1634	514370	PROTECTIVE THERMOSTAT HOLDER NG3-BIO	1		