



## Onderbouw vriezer met 3 laden



KU1190C

### Uitvoering

- energielabel: E
- totale inhoud: 86 liter
- deur op deur montage met soft-close
- zelfsluitend binnen een hoek van 20°

### Vriesgedeelte

- 4-sterren vriezer
- invriesvermogen: 7 kg per 24 uur
- Fast Freeze
- 3 transparante laden

### Bediening

- elektronische temperatuurregeling

### Bijzonderheden

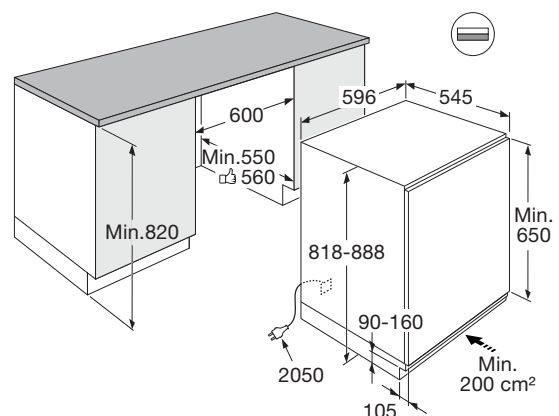
- draairichting van de deur omkeerbaar (links- of rechtsdraaiend)
- akoestisch signaal bij vervuilde condensor, verstoorde luchtcirculatie en bij te hoge temperatuur
- beluchting/ontluchting in de plint

### Toebehoren

- 1 ijsblokeshouder

### Technische specificaties

- geschikt voor omgevingstemperatuur: SN-T (10-43°C)
- energieverbruik: 173 kWh/jaar
- geluidsniveau: 38 dB(A)
- aansluitwaarde: 90 W



# Product Information Sheet

COMMISSION DELEGATED REGULATION (EU) 2019/2016

**Supplier's name or trademark:** ATAG

**Supplier's address:** Impact 83, 6921 RZ Duiven, NL

**Model identifier:** KU1190C

**Type of refrigerating appliance:**

Low-noise appliance:	No	Design type:	built-in
Wine storage appliance:	No	Other refrigerating appliance:	Yes

**General product parameters:**

Parameter		Value	Parameter	Value
Overall dimensions (millimetre)	Height	820	Total volume (dm <sup>3</sup> or l)	86
	Width	596		
	Depth	545		
EEl	100	Energy efficiency class	E	
Airborne acoustical noise emissions (dB(A) re 1 pW)	38	Airborne acoustical noise emission class	C	
Annual energy consumption (kWh/a)	173	Climate class:	extended temperate, temperate, subtropical, tropical	
Minimum ambient temperature (°C), for which the refrigerating appliance is suitable	10	Maximum ambient temperature (°C), for which the refrigerating appliance is suitable	43	
Winter setting	No			

**Compartment Parameters:**

Compartment type	Compartment parameters and values				
	Compartment volume (dm <sup>3</sup> or l)	Recommended temperature setting for optimised food storage (°C) These settings shall not contradict the storage conditions set out in Annex IV, Table 3	Freezing capacity (kg/24h)	Defrosting type (auto-defrost=A, manual defrost=M)	
Pantry	No	-	-	-	-
Wine storage	No	-	-	-	-
Cellar	No	-	-	-	-
Fresh food	No	-	-	-	-

Chill	No	-	-	-	-
0-star or ice-making	No	-	-	-	-
1-star	No	-	-	-	-
2-star	No	-	-	-	-
3-star	No	-	-	-	-
4-star	Yes	86	-	7	M
2-star section	No	-	-	-	-
Variable temperature compartment	-	-	-	-	-
<b>For 4-star compartments</b>					
Fast freeze facility			Yes		
<b>Light source parameters:</b>					
Type of light source			-		
Energy efficiency class			-		
<b>Minimum duration of the guarantee offered by the manufacturer:</b> 24 months					
<b>Additional information:</b>					
<b>Weblink to the manufacturer's website, where the information in point4(a) Annex of Commission Regulation (EU) 2019/2019 is found:</b> <a href="https://www.atag.nl">https://www.atag.nl</a>					