



Inbouw koelkast (88 cm)

LED

KS33088A

Uitvoering

- energielabel: F
- totale inhoud: 136 liter
- sleepdeur montage
- heldere LED binnenverlichting

Koelgedeelte

- automatisch ontdooisysteem
- 3 transparante, verstelbare deurvakken met luxe afwerking, waaronder een afsluitbaar boter- en kaasvak
- 1 deurvak is smaller, waardoor hogere flessen in het vak eronder geplaatst kunnen worden
- 3 luxe draagplateaus van veiligheidsglas met RVS afwerking, waarvan 2 in hoogte verstelbaar
- 1 draagplateau is deelbaar, waarmee ruimte gecreëerd kan worden voor hogere objecten op het plateau eronder
- 1 grote transparante groentelade

Bediening

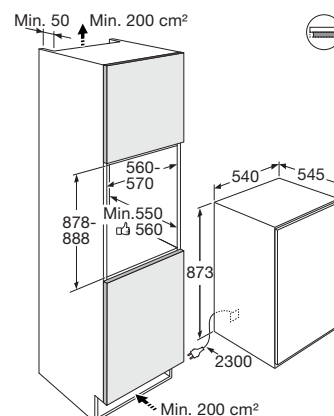
- elektronische temperatuurregeling
- temperatuurindicatie d.m.v. LED

Bijzonderheden

- draairichting van de deur omkeerbaar (links- of rechtsdraaiend)

Technische specificaties

- geschikt voor omgevingstemperatuur: SN-ST (10-38°C)
- energieverbruik: 116 kWh/jaar
- geluidsniveau: 35 dB(A)
- aansluitwaarde: 75 W



Product Information Sheet

COMMISSION DELEGATED REGULATION (EU) 2019/2016

Supplier's name or trademark: ATAG

Supplier's address: Impact 83, 6921 RZ Duiven, NL

Model identifier: KS33088A

Type of refrigerating appliance:

Low-noise appliance:	No	Design type:	built-in
Wine storage appliance:	No	Other refrigerating appliance:	Yes

General product parameters:

Parameter	Value	Parameter	Value
Overall dimensions (millimetre)	Height	873	Total volume (dm ³ or l)
	Width	540	
	Depth	545	
EEI	125	Energy efficiency class	F
Airborne acoustical noise emissions (dB(A) re 1 pW)	35	Airborne acoustical noise emission class	B
Annual energy consumption (kWh/a)	116	Climate class:	extended temperate, temperate, subtropical
Minimum ambient temperature (°C), for which the refrigerating appliance is suitable	10	Maximum ambient temperature (°C), for which the refrigerating appliance is suitable	38
Winter setting	No		

Compartment Parameters:

Compartment type	Compartment parameters and values				
	Compartment volume (dm ³ or l)	Recommended temperature setting for optimised food storage (°C) These settings shall not contradict the storage conditions set out in Annex IV, Table 3	Freezing capacity (kg/24h)	Defrosting type (auto-defrost=A, manual defrost=M)	
Pantry	No	-	-	-	
Wine storage	No	-	-	-	
Cellar	No	-	-	-	
Fresh food	Yes	136	4	A	
Chill	No	-	-	-	

0-star or ice-making	No	-	-	-	-
1-star	No	-	-	-	-
2-star	No	-	-	-	-
3-star	No	-	-	-	-
4-star	No	-	-	-	-
2-star section	No	-	-	-	-
Variable temperature compartment	-	-	-	-	-
Light source parameters:					
Type of light source	Lighting technology used: LED; Non-directional or directional: DLS; Mains or non-mains: NMLS; Connected light source (CLS): No; Colour-tuneable light source: No; Envelope: -; High luminance light source: No; Anti-glare shield: No; Dimmable: No				
Energy efficiency class	G				
Minimum duration of the guarantee offered by the manufacturer: 24 months					
Additional information:					
Weblink to the manufacturer's website, where the information in point4(a) Annex of Commission Regulation (EU) 2019/2019 is found: https://www.atag.nl					