

A. Refrigerator Compartment

1. Crisper drawer
2. Shelves / Shelf area
3. Control panel with LED light
4. Upper door tray
5. Door trays
6. Bottle rack
7. Bottle restrainer (if present)
8. Rating plate (at the side of crisper drawer)
9. Fan with filter (if present), see specific instructions for filter.

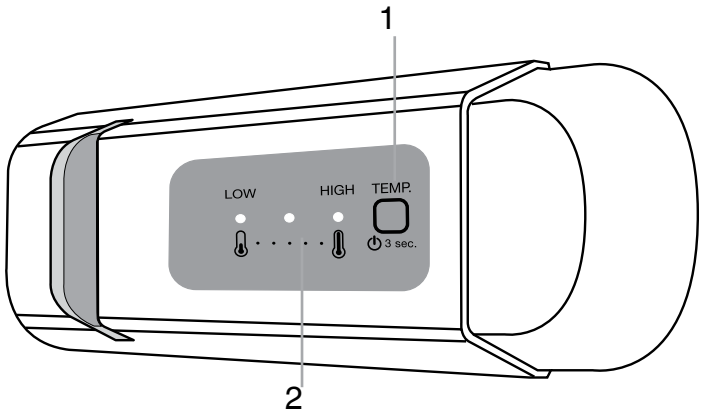
B. Freezer compartment (if present)

1. Ice cube tray (inside the compartment)
2. Freezer compartment inner door
3. Grille (inside compartment)

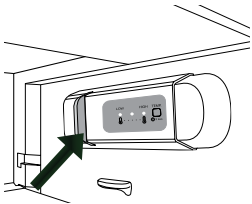
Note: The number of shelves and type of accessories may vary, depending on the model. All shelves, door trays and racks are removable.

Important: Refrigerator accessories must not be washed in a dishwasher.

QUICK GUIDE

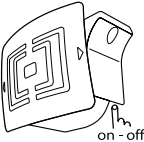


LED Light
LEDs last longer than traditional light bulbs, improve internal visibility and are environmentally-friendly.
Contact the Service Centre if replacement is necessary.



Stand-by
Press the **“Temp.”** button (1) for 3 seconds to deactivate the appliance (the control panel and lights remain off).
Press the button again briefly to reactivate the appliance.
Note: This does not disconnect the appliance from the power supply.

Fan (if available)
The fan is preset as ACTIVE.
The fan can be deactivated by pressing the button on the base (as shown in the figure).
If the room temperature exceeds 27°C, the fan must be on in order to guarantee the correct preservation of food.
Deactivation of the fan enables energy consumption to be optimised.



Refrigerator compartment temperature
The three LED indicators (2) indicate the refrigerator compartment set temperature.
A different temperature can be set using the **“Temp.”** button

The following adjustments are possible:

Leds lit	Set temperature
	High (less cold)
	Medium-high
	Intermediate
	Medium-low
	Low (colder)



What to do if...	Possible causes:	Cures:
The control panel is switched off, the appliance does not work.	There may be an appliance power supply problem. The appliance could be in On/Standby mode.	Make sure: - there is not a power outage - the plug is properly inserted in the power socket and the mains double-pole switch (if present) is in the correct position (i.e. allows the appliance to be powered) - the household electrical system protection devices are efficient - the power cable is not broken. Activate the appliance with the Temp. button.
The inside light does not work.	The light may need replacing. Malfunction of a technical component.	Contact an authorized Service Centre.
The inside light flashes.	Door alarm active It is activated when the refrigerator compartment door remains open for a prolonged period of time.	To stop the alarm, close the refrigerator door. On reopening the door, check the light works.
The temperature inside the compartments is not low enough.	There could be various causes (see "Solutions").	Make sure: - the doors close properly - the appliance is not installed near a heat source - the set temperature is adequate - the circulation of air through the vents at the bottom of the appliance is not obstructed.
There is water on the bottom of the refrigerator compartment.	The defrost water drain is blocked.	Clean the defrost water drain hole (see the section "Appliance Maintenance and Cleaning").
The front edge of the appliance, at the door striker seal, is hot.	This is not a defect. It prevents condensation from forming.	No solution is necessary.
One or more green lights flash continuously.	Malfunction alarm The alarm indicates a fault in a technical component.	Call the authorised Service Centre.