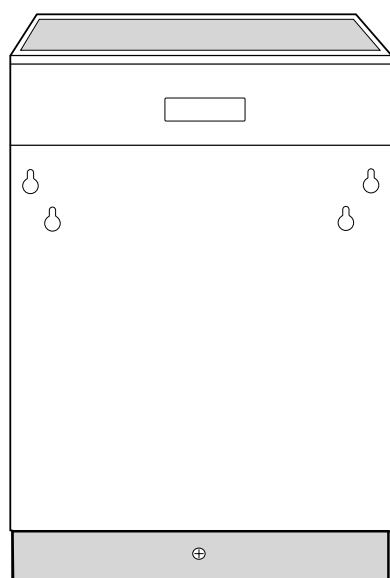


instructions for use
dishwasher

VA6111PT



ATAG

Contents

Safety instructions	3	Maintenance and cleaning	16
Disposal	3	Cleaning the filters	16
Economical and ecological dishwashing	3	Prolonged periods of non-operation	16
Installation instructions	4	Frost precautions	16
Building-in	4	Moving the machine	16
Levelling	4	Something not working	17
Fixing to the adjacent units	4	Service and spare parts	18
Water supply connections	4	Hints for test centres	19
Water inlet hose with safety valve	4		
Water outlet hose connection	5		
Electrical connection	5		
Description of the appliance	6		
The control panel	7		
Audible signals	7		
Prior to using for the first time	8		
The water softener	8		
Filling with dishwasher salt	9		
Rinse aid	9		
In daily use	10		
Loading cutlery and dishes	10		
The lower basket	10		
The cutlery basket	11		
The upper basket	11		
Adjusting the height of the upper basket	12		
Use of detergent	12		
Different kinds of detergent	13		
Washing programmes	14		
Starting a washing programme	15		

Technical specifications

Dimensions	Width Height Max depth Max depth with open door	59.6 cm 81.8 - 87.8 cm 55.5 cm 114 cm
Electrical connection: Voltage Overall power Fuse	Information on the electrical connection is given on the rating plate on the inner edge of the dishwasher's door.	
Water supply pressure	Minimum Maximum	0.05 MPa 0.8 MPa
Capacity		12 place settings
Max. weight		43 kg
Noise level		48 dB (A)



This appliance complies with the following E.E.C. Directives:

- 73/23 or 19.2.73 (Low Voltage Directive) and subsequent modifications;

- 89/336 or 3.5.89 (Electromagnetic Compatibility Directive) and subsequent modifications.

Safety instructions

It is most important that this instruction book should be retained with the appliance for future reference. Should the appliance be sold or transferred to another owner, or should you move house and leave the appliance, always ensure that the book is left with the appliance in order that the new owner can get to know the functioning of the appliance and the relevant safety information.

This information has been provided in the interest of your safety. You **MUST** read it carefully before installing or using the appliance.

Installation

- Check your dishwasher for any transport damage. Never connect a damaged machine. If your dishwasher is damaged, you should contact your supplier.
- For safety reasons it is dangerous to alter the specifications or attempt to modify this product in any way.
- Any electrical and plumbing work required to install this appliance should be carried out by a qualified and competent person.
- Care must be taken to ensure that the appliance does not stand on the electrical supply cable.
- The sides of the dishwasher must never be drilled to prevent damage to hydraulic components.

Child safety

- This appliance is designed to be operated by adults.
- Children should not be allowed to tamper with the controls or play with the product.
- Ensure the packaging materials for this appliance are kept away from children so as to prevent the risk of injury or suffocation.
- The water in your dishwasher is not for drinking. Detergent residues may still be present in your machine. Keep children well away from your dishwasher when the door is open.
- Keep all detergents in a safe place out of children's reach.

Your dishwasher in day-to-day use

- Items that are contaminated by petrol, paint, steel or iron debris, corrosive, acidic or alkaline chemicals must not be washed in this dishwasher.
- Under no circumstances should you open the door whilst the appliance is in operation, especially during the washing phase, hot water may escape. However, if the door is opened, a safety device ensures that the machine stops.
- Only use products (detergent, salt and rinse aid) specifically designed for use in dishwashers.
- Long bladed knives stored in an upright position are a potential hazard.
- Long and/or sharp items of cutlery such as carving knives must be positioned horizontally in the upper basket.
- Ensure that the door of the dishwasher is always closed when it is not being loaded or unloaded. In this way you will avoid anybody tripping over the open door and hurting themselves.
- When finishing loading or unloading close the door, as an open door can be a hazard.
- Do not sit or stand on the open door.
- Isolate the appliance from the power supply and turn off the water supply after use.
- This product should be serviced by an authorised service engineer, and only genuine spare parts should be used.

- Under no circumstances should you attempt to repair the machine yourself. Repairs carried out by inexperienced persons may cause injury or serious malfunctioning. Contact your local Service Force Centre. Always insist on genuine spare parts.

Disposal

Dispose of the dishwasher packaging material correctly. All packaging materials can be recycled.

Plastic parts are marked with standard international abbreviations:

>PE< for polyethylene, e.g. sheet wrapping material.

>PS< for polystyrene, e.g. padding material (always CFC-free).


>POM< for polyoxymethylene, e.g. plastic clips.

Cardboard packaging is manufactured from recycled paper and should be deposited in the waste paper collection for recycling.

As and when you cease to use your dishwasher and withdraw it from service, you should render it unserviceable before having it disposed of.

Warning! Children at play could lock themselves in your dishwasher or otherwise endanger their lives. Therefore cut off the power supply cable and make the door closing device unusable to prevent children from being trapped inside.

For the disposing of the appliance please take it to a recycling centre or to your dealer who may, for a small contribution to the costs, dispose it for you.

The symbol  on the product or on its packaging indicates that this product may not be treated as household waste. Instead it shall be handed over to the applicable collection point for the recycling of electrical and electronic equipment. By ensuring this product is disposed of correctly, you will help prevent potential negative consequences for the environment and human health, which could otherwise be caused by inappropriate waste handling of this product. For more detailed information about recycling of this product, please contact your local city office, your household waste disposal service or the shop where you purchased the product.

Economical and ecological dishwashing

- Ensure that the water softener is correctly adjusted.
- Do not pre-wash under running water.
- Select the wash programme to suit the nature and degree of the soiling on the dishes.
- Do not use more detergent, dishwasher salt and rinse aid than is recommended in these operating instructions and by the manufacturer of the respective product.

Installation instructions

Any electrical and/or plumbing work required to install this appliance should be carried out by a qualified electrician and/or plumber or competent person.

Remove all packaging before positioning the machine.

If possible, position the machine next to a water tap and a drain.

Building-in

This dishwasher is designed to be fitted under a kitchen counter or worksurface.

Attention!

Carefully follow the instructions on the enclosed template for building in the dishwasher and fitting the furniture panel.

No further openings for the venting of the dishwasher are required, but only to let the water fill and drain hose and power supply cable pass through.

The dishwasher incorporates adjustable feet to allow the adjustment of the height.

During all operations that involve accessibility to internal components the dishwasher has to be unplugged.

When inserting the machine, ensure that the water inlet hose, the drain hose and the supply cable are not kinked or squashed.

Levelling

Good levelling is essential for correct closure and sealing of the door.

When the appliance is correctly levelled, the door will not catch on either side of the cabinet.

If the door does not close correctly, loosen or tighten the adjustable feet until the machine is perfectly level.

Fixing to the adjacent units

The dishwasher must be secured against tilting. Therefore make sure that the counter it is fixed under, is suitably secured to a fixed structure (adjacent kitchen units cabinets, wall).

Water supply connections

This dishwasher may be fed with either hot (max. 60°) or cold water. Nevertheless we advise you a cold water supply. A hot water supply is not always efficient with very soiled crockery as it shortens the washing programmes a lot.

For making the connection itself, the coupling nut fitted to the machine's supply hose is designed to screw onto a 3/4" inch gas thread spout or to a purpose made quick-coupling tap such as the Press-block.

The water pressure must be within the limits given in the "Technical specifications". Your local Water Authority will advise you on the average mains pressure in your area.

The water inlet hose must not be kinked, crushed, or entangled when it is being connected.

The dishwasher features fill and drain hoses which can be turned either to the left or the right to suit the installation by means of the locknut. **The locknut must be correctly fitted to avoid water leaks.** (*Attention! NOT all models of dishwashers have fill and drain hoses provided with locknut. In this case, this kind of facility is not possible.*)

If the machine is connected to new pipes or pipes which have not been used for a long time, you should run the water for a few minutes before connecting the inlet hose.

DO NOT use connection hoses which have previously been used for an old appliance.

This appliance has been fitted with safety features which will prevent the water used in the appliance from returning back into the drinking water system. This appliance complies with the applicable plumbing regulations.

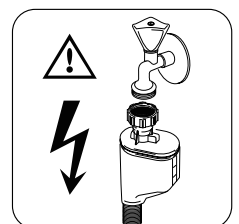
Water inlet hose with safety valve

After connecting the double-walled water inlet hose, the safety valve is next to the tap. Therefore the water inlet hose is only under pressure while the water is running. If the water inlet hose starts to leak during this operation, the safety valve cuts off the running water.

Please take care when installing the water inlet hose:

- The electrical cable for the safety valve is in the double-walled water inlet hose. Do not immerse the water inlet hose or the safety valve in water.
- If water inlet hose or the safety valve is damaged, remove the mains plug immediately.
- A water inlet hose with safety valve must only be replaced by a specialist or by the Service Force Centre.
- Place the water inlet hose in such a way that it is never higher than the bottom edge of the safety valve.

WARNING!
Dangerous voltage



Water outlet hose connection

The end of the drain hose can be connected in the following ways:

1. To the sink outlet spigot, securing it to the underside of the work surface. This will prevent waste water from the sink running into the machine.
2. To a stand pipe provided with vent-hole, minimum internal diameter 4 cm.

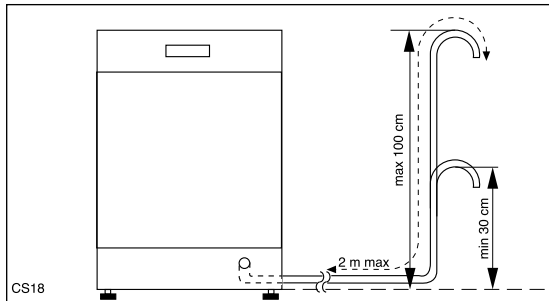
The waste connection must be at a height of between 30 cm (minimum) and 100 cm (maximum) from the bottom of the dishwasher.

The drain hose can face either to the right or left of the dishwasher

Ensure the hose is not bent or squashed as this could prevent or slow down the discharge of water.

The sink plug must not be in place when the machine is draining as this could cause the water to syphon back into the machine.

If you use a drain hose extension it must be no longer than 2 metres and its internal diameter must be no smaller than the diameter of the hose provided.



Likewise the internal diameter of the couplings used for connections to the waste outlet must be no smaller than the diameter of the hose provided.

Attention!

Our appliances are supplied with a security device to protect against the return of dirty water back into the machine. If the spigot of your sink has a "no return valve" incorporated this can prevent the correct draining of your dishwasher. We therefore advise you to remove it.

Electrical connection

Information concerning the electrical connection is given on the rating plate on the edge of the dishwasher's door.

Before plugging the appliance into the wall socket, make sure that:

1. The mains voltage and current rating at the site of installation match the nominal voltage and current rating given on the rating plate.
2. The meter, fuses, mains power supply and wall socket can all take the maximum load required. Make sure that the socket and plug are compatible without having to use any type of adaptor. If necessary, have the domestic wiring system socket replaced.

To isolate the dishwasher from mains, remove the mains plug.



Important!

The plug must still be accessible after the appliance has been installed.

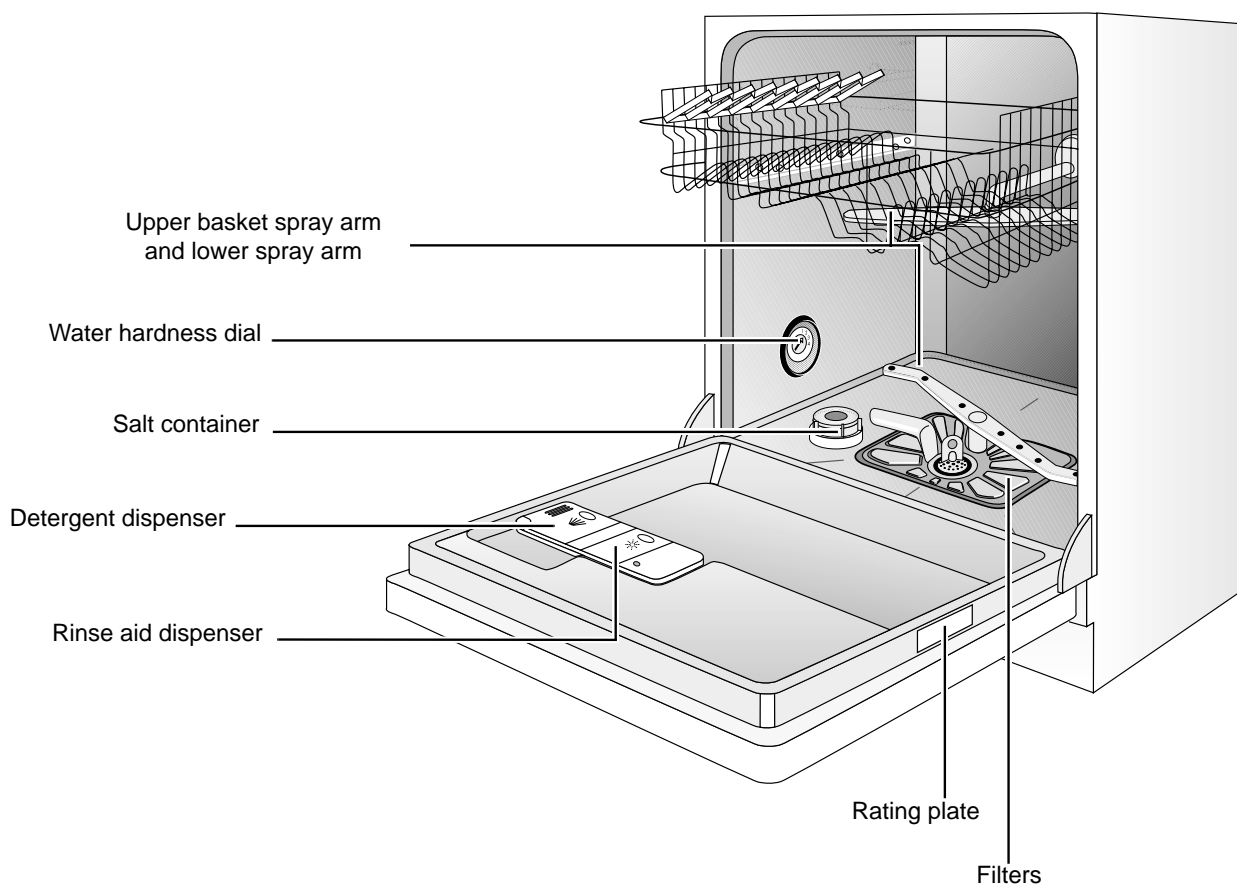
In case that the electrical cable has to be replaced, please contact your local Service Force Centre.

The appliance should not be connected to the electrical supply by means of an extension cable.

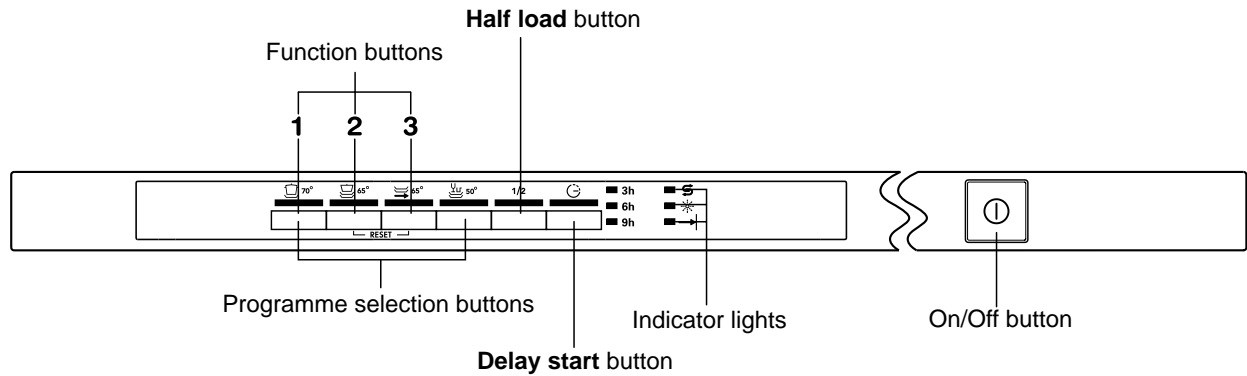
Safety standards require the appliance to be earthed.

The manufacturer accepts no liability for failure to observe the above safety precautions.

Description of the appliance



The control panel



Function buttons: in addition to the dishwashing programme selected, the following functions can also be set with the help of these buttons:

- the setting of the water softener,
- the cancelling of a washing programme in progress,
- deactivation/activation of the audible signals.

Programme selection buttons: allows the selection of the desired washing programme (see "Washing programmes" chart).

Delay start button: this option allows the start of the programme to be delayed by 3, 6 or 9 hours.

Half load button: This programme must be linked to the selection of a washing programme. (See "Washing programmes" chart).

When selected, the corresponding light illuminates. Load dishes in both baskets (lower and upper). When using this option reduce the dose of detergent that is normally used for a complete load.

Indicator lights: have the following meanings:

	Salt refilling indicator light, illuminates when the salt has run out.
	Rinse aid refilling indicator light, illuminates when the rinse aid has run out.
	End of programme: illuminates when the washing programme has ended, it also has added functions of visual signalling as: <ul style="list-style-type: none"> - the setting of the water softener, - deactivation/activation of the audible signals, - intervention of an alarm due to the malfunction of the machine.

Audible signals

Audible signals have been introduced to help indicate which operations the dishwasher is performing:

- **setting of the water softener**
- **end of programme**
- **intervention of an alarm due to malfunction**

Deactivation/activation of the audible signals

(The dishwasher must be switched off)

Factory setting: **audible signals activated**

1. Press the On/Off button. All programme selection buttons indicator lights will illuminate (setting mode).
If only one programme selection button indicator light is illuminated, this means that a washing programme is set. The programme must be cancelled: press simultaneously the function buttons 2 and 3 for about 2 seconds, the indicator light of the set programme button starts flashing for about 2 seconds. After about 2 seconds the indicator lights of all the programme selection buttons will illuminate indicating that the set programme has been cancelled and that the machine is now in setting mode.
2. Press simultaneously function buttons 2 and 3, the indicator lights of the function buttons 1, 2 and 3 start flashing.
3. Press function button 3, the indicator lights of function buttons 1 and 2 turn off while the indicator light of the button 3 goes on flashing, at the same time the **end of programme** indicator light illuminates indicating that the audible signals are active.
4. To deactivate the audible signals, press again function button 3, the **end of programme** indicator light turns off, indicating that the audible signals have been deactivated.
5. To memorise the operation, switch off the dishwasher by pressing the On/Off button or wait about 60 seconds after which the dishwasher will automatically return to setting mode.

To activate again the audible signals simply follow the above operations until the **end of programme** indicator light illuminates.

Prior to using for the first time

Before using your dishwasher for the first time:

1. Ensure that the electrical and water connections comply with the installation instructions
2. Remove all packaging from inside the appliance
3. Set the water softener
4. Pour 1 litre of water inside the salt container and then fill with dishwasher salt
5. Fill the rinse aid dispenser

Note:

If you want to use the "3 in 1" combi detergents, carefully read the information given in "Different kinds of detergents".

The water softener

The dishwasher is equipped with a water softener designed to remove minerals and salts from the water supply, which would have a detrimental or adverse effect on the operation of the appliance.

The higher the content of these minerals and salts, the harder your water is.

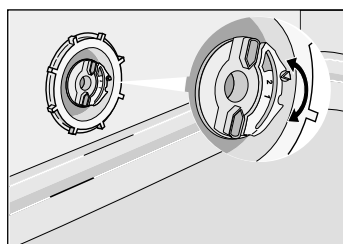
Water hardness is measured in equivalent scales, German degrees (°dH), French degrees (°TH) and mmol/l (millimol per litre - international unit for the hardness of water).

The softener should be adjusted according to the hardness of the water in your area. Your local Water Authority can advise you on the hardness of the water in your area.

The water softener must be set in both ways: manually, using the water hardness switch and electronically, using the function buttons on the control panel.

a) Setting manually

1. Open the dishwasher door.
2. Remove the lower basket from the dishwasher.
3. Turn the water hardness dial to position 1 or 2 (see table).
4. Replace the lower basket.



The dishwasher is factory set at position 2.

b) Setting electronically

(The dishwasher must be switched off)

The dishwasher is factory set at level 5.

1. Press the On/Off button. All programme selection buttons indicator lights will illuminate (setting mode).
If only one programme selection button indicator light is illuminated, this means that a washing programme is set. The programme must be cancelled: press simultaneously the function buttons 2 and 3 for about 2 seconds, the indicator light of the set programme button starts flashing for about 2 seconds.
After about 2 seconds the indicator lights of all the programme selection buttons will illuminate indicating that the set programme has been cancelled and that the machine is now in setting mode.

2. Press simultaneously function buttons 2 and 3, until the indicator lights of the function buttons 1, 2 and 3 start flashing.

3. Press function button 1, the indicator lights of function buttons 2 and 3 turn off while the indicator light of the button 1 goes on flashing, at the same time the **end of programme** indicator light illuminates, along with a sequence of audible signals.

The current level is indicated by the number of flashes of the **end of programme** indicator light and of audible signals heard.

Example:

5 flashes / 5 audible signals + pause + 5 flashes / 5 audible signals + pause etc... = level 5.

4. To change the level, press function button 1. Each time the button is pressed the level changes. (For the selection of the new level see the chart).

Examples:

if the current level is 5, by pressing function button 1 once, level 6 is selected.

if the current level is 10, by pressing function button 1 once, level 1 is selected.

5. To memorise the operation, switch off the dishwasher by pressing the On/Off button or wait about 60 seconds after which the dishwasher will automatically return to setting mode.

Water hardness			Adjusting the water hardness setting		Number of flashes of the "end of programme" indicator light and of audible signals	Use of salt
°dH	°TH	mmol/l	manually	electronically		
51 - 70	91 - 125	9,0 - 12,5	2	level 10	10	yes
43 - 50	76 - 90	7,6 - 8,9	2	level 9	9	yes
37 - 42	65 - 75	6,5 - 7,5	2	level 8	8	yes
29 - 36	51 - 64	5,1 - 6,4	2	level 7	7	yes
23 - 28	40 - 50	4,0 - 5,0	2	level 6	6	yes
19 - 22	33 - 39	3,3 - 3,9	2	level 5	5	yes
15 - 18	26 - 32	2,6 - 3,2	1	level 4	4	yes
11 - 14	19 - 25	1,9 - 2,5	1	level 3	3	yes
4 - 10	7 - 18	0,7 - 1,8	1	level 2	2	yes
< 4	< 7	< 0,7	1	level 1	1	no

Filling with dishwasher salt

Only use salt specifically designed for use in dishwashers.

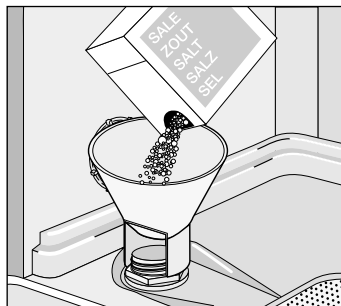
All other types of salt not specifically designed for use in a dishwasher, especially table salt, will damage the water softener.

Only fill with salt just before starting one of the complete washing programmes.

This will prevent any grains of salt or salty water, which may have been spilt, remaining on the bottom of the machine for any period of time, which may cause corrosion.

To fill:

1. Open the door, remove the lower basket and unscrew the cap of the salt container by turning it anticlockwise.
2. Pour 1 litre of water inside the container (**this is necessary only before filling with salt for the first time**).
3. Using the funnel provided, pour in the salt until the container is full.
4. Replace the cap making sure that there is no trace of salt on the screw thread or on the gasket.
5. Replace the cap tightly turning it clockwise until it stops with a click.



The salt container will require topping up periodically. You are reminded of this by the salt indicator light on the control panel which comes on when the salt has finished.

The salt indicator light on the control panel can remain illuminated for 2-6 hours after the salt has been replenished, assuming the dishwasher remains switched on. If you are using salts that take longer to dissolve then this can take longer. The function of the machine is not affected.

Do not worry if water overflows from the unit when filling with salt, this is quite normal.

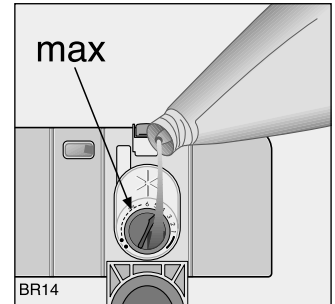
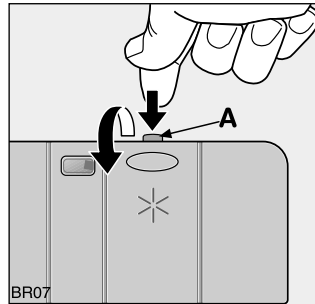
Rinse aid

Rinse aid is automatically added during the last rinse, ensuring thorough rinsing, and spot and streak free drying.

The dispenser, which is positioned inside the door, holds about 110 ml of rinse aid, which is sufficient for between 16 and 40 dishwashing cycles, depending upon the dosage setting.

Filling with rinse aid

1. Open the container by pressing the release button (A).
2. Add the rinse aid until the container is completely full. The maximum level for filling is indicated by "max".



Ensure that the lid is closed after every refill.

Clean up any rinse aid spilt during filling with an absorbent cloth to avoid excess foaming during the next wash.

Only use branded rinse aid for dishwashers. Never fill the rinse aid dispenser with any other substances (e.g. dishwasher cleaning agent, liquid detergent). This would damage the appliance.

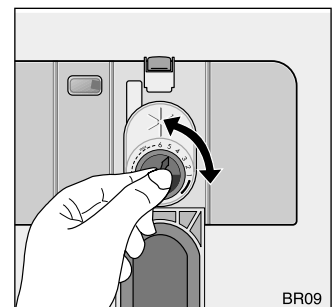
Adjusting the dose

According to the finish and drying results obtained, adjust the dose of rinse aid by means of the 6 position selector (position 1 minimum dosage, position 6 maximum dosage).

The dose is factory set in position 4.

Increase the dose if there are drops of water or lime spots on the dishes after washing.

Reduce it if there are sticky whitish streaks on the dishes or a bluish film on glassware or knife blades.



Top up the rinse aid when the indicator light on the control panel illuminates.

In daily use

- Check if it's necessary to refill with dishwasher salt or rinse aid
- Load cutlery and dishes into the dishwasher.
- Fill with dishwasher detergent .
- Select a wash programme suitable for the cutlery and dishes.
- Start the wash programme.

Loading cutlery and dishes

Sponges, household cloths and any object that can absorb water may not be washed in the dishwasher.

- Before loading the dishes, you should:
 - Remove all left over food and debris.
 - Soften remnants of burnt food in pans
- When loading the dishes and cutlery, please note:
 - Dishes and cutlery must not impede the rotation of the spray arms .
 - Load hollow items such as cups, glasses, pans, etc. with the opening downwards so that water cannot collect in the container or a deep base.
 - Dishes and items of cutlery must not lie inside one another, or cover each other.
 - To avoid damage to glasses, they must not touch.
 - Lay small objects in the cutlery basket.
- **Plastic items and pans with teflon have a tendency to retain water drops; these items will not dry as well as porcelain and steel items.**

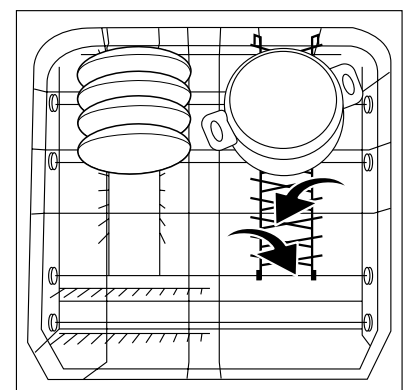
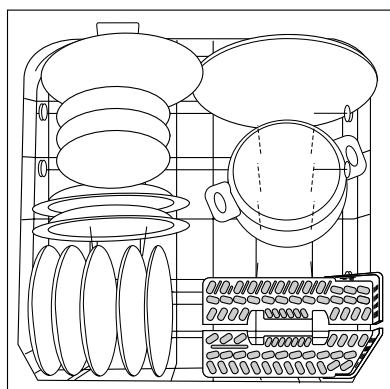
For washing in the dishwasher the following cutlery/dishes	
are not suitable:	are of limited suitability:
<ul style="list-style-type: none"> - Cutlery with wooden, horn, china or mother-of-pearl handles - Plastic items that are not heat resistant - Older cutlery with glued parts that are not temperature resistant - Bonded cutlery items or dishes - Pewter or copper items - Lead crystal glass - Steel items prone to rusting - Wooden platters - Items made from synthetic fibres 	<ul style="list-style-type: none"> - Only wash stoneware in the dishwasher if it is specifically marked as being dishwasher-safe by the manufacturer. - Glazed patterns may fade if machine washed frequently - Silver and aluminium parts have a tendency to discolour during washing. Residues, e.g. egg white, egg yolk and mustard often cause discolouring and staining on silver. Therefore always clean left-overs from silver immediately, if it is not to be washed straight after use. - Some types of glass can become dull after a large number of washes

Open the door and slide out the baskets to load the dishes.

To make it easier to load larger dishes, the two plate racks on the right in the lower basket can be folded down.

The lower basket

Load larger and heavily soiled dishes and pans in the lower basket. (Max. diameter for plates 29 cm).

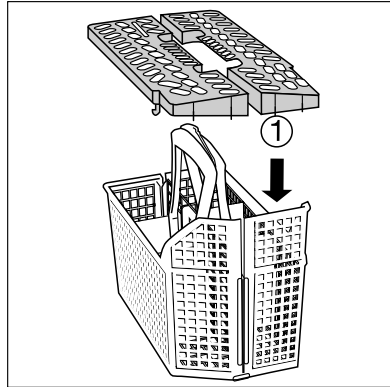


The cutlery basket

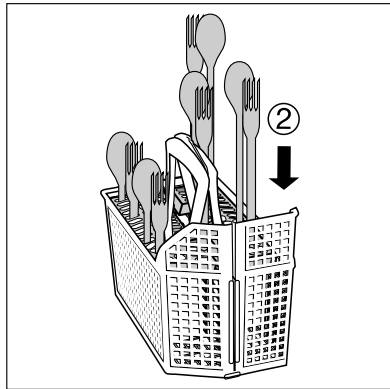
Sharp knives and other items of cutlery with sharp edges must be laid in the cutlery rack or in the upper basket to avoid the risk of injury.

To ensure that all items of cutlery in the cutlery basket can be reached by the water, you should:

1. Place the grid insert on the cutlery basket.



2. Place forks and spoons in the cutlery basket's grid insert with their handles pointing downwards.

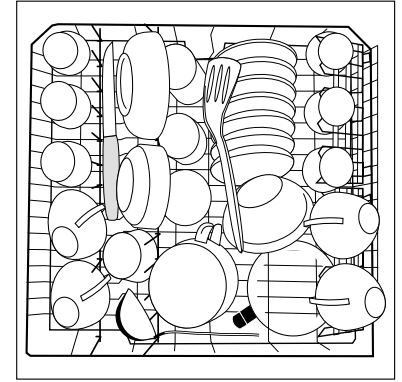


For larger utensils, such as whisks, leave off one half of the cutlery grid.

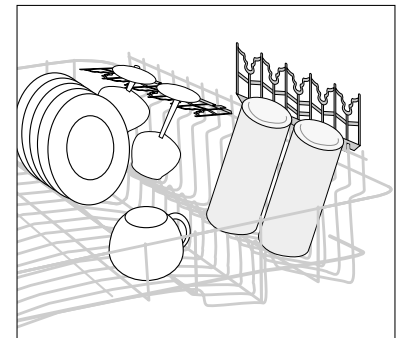
The upper basket

Load smaller, fragile crockery and long, sharp cutlery in the upper basket.

- Arrange items of crockery on and under the folding cup racks so that they are offset from each other and water can reach all items.



- The cup racks can be folded up out of the way for tall crockery items.
- Lay or hang wine and brandy glasses in the slots in the cup racks.



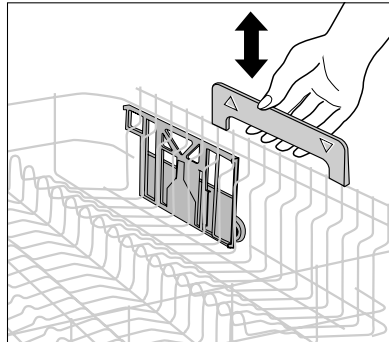
Adjusting the height of the upper basket

	Maximum height of the dishes in	
	upper basket	lower basket
With upper basket raised	22 cm	30 cm
With upper basket lowered	24 cm	29 cm

The height of the baskets can also be adjusted when they are loaded.

To move to the higher position proceed as follows:

1. Pull out the upper basket completely.
2. Holding the upper basket by the handle, raise it as far as it will go and then lower it vertically. The upper basket will latch into the lower or the upper position.



Use of detergent

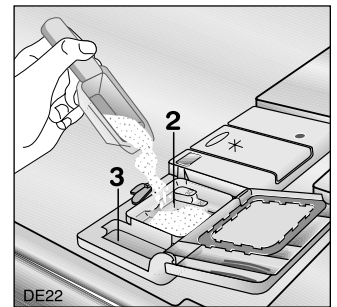
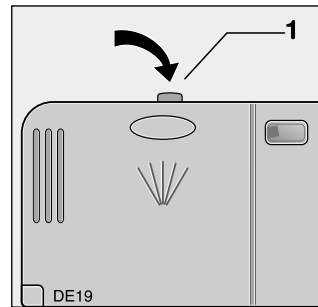
Only use detergents specifically designed for use in dishwashers.

Using no more than the correct amount of detergent contributes to reducing pollution.

Please observe the manufacturer's dosing and storage recommendations as stated on the detergent packaging.

Fill with detergent

1. If the lid is closed: press release button (1). The lid springs open.
2. Fill the detergent dispenser (2) with detergent. The marking indicates the dosing levels:
20 = approximately 20 g of detergent
30 = approximately 30 g of detergent



3. All programmes with prewash need an additional detergent dose (5/10 g) that must be placed in the prewash detergent chamber (3). This detergent will take effect during the prewash phase.
4. Close the lid and press until it locks in place.

Different kinds of detergent

Detergent tablets

Detergent tablets from different manufactures dissolve at different rates. For this reason, some detergent tablets do not attain their full cleaning power during short washing programmes. Therefore please use long washing programmes when using detergent tablets, to ensure the complete removal of detergent residuals.

Concentrated detergent

Modern detergents for dishwashers are almost exclusively low-alkaline concentrated detergents with natural enzymes in tablet form.

Using 50°C washing programmes in conjunction with these concentrated detergents reduces pollution and is good for your dishes, as these washing programmes are specially matched to the dirt-dissolving properties of the enzymes in concentrated detergents. It is for this reason that using 50°C washing programmes in conjunction with concentrated detergents can achieve the same cleaning results that can otherwise only be achieved using 65°C washing programmes.

Use of "3 in 1" combi detergents

These products are detergents with a combined cleaning, rinsing and salt function.

1. Check whether these detergents are suitable for your water hardness. Follow the manufacturers instructions.

NOTE: the refilling of the salt container and the rinse aid dispenser are no longer necessary. In this case the rinse aid indicator light will always remain illuminated when the machine is switched on.

2. Select the lowest setting for water hardness.
3. Before the start of the washing programme put the "3 in 1" detergent in the detergent dispenser.

NOTE: If the drying results are not satisfactory we recommend that you:





1. Fill up the rinse aid dispenser with rinse aid.
2. Set the rinse aid dosage to position 2.

If you decide to turn back to the use of the standard detergent system we advise that you:

- Fill up the dispensers for salt and rinse aid again.
- Adjust the water hardness setting to the highest setting perform up to 3 normal washing programmes without loading any dishes.
- Adjust the water hardness setting according to the hardness of the water in your area.
- Adjust the rinse aid dosage.

NOTE: When using **4 in 1 detergents** that integrate also anti-glass corrosion agent into "3 in 1" formula, please follow the same instruction as given for "3 in 1" detergents above.

Washing programmes

Programme	Degree of soil and type of load	Half load	Cycle description	(2) Consumption values		
				Programme duration (in minutes)	Energy consumption (in kWh)	Water consumption (in litres)
Intensive 70°  70°	Heavy soil. Crockery, cutlery, pots and pans	Yes*	Hot prewash Main wash up to 70°C 2 warm rinses 1 hot rinse Drying	110 - 120	1,7 - 1,9	23 - 25
Normal 65°  65°	Normal soil. Crockery, cutlery, pots and pans	Yes*	Cold prewash Main wash up to 65°C 2 warm rinses 1 hot rinse Drying	95 - 105	1,3 - 1,5	19 - 21
Quick 65°  65°	Light soil. Crockery and cutlery	No	Main wash up to 65°C 1 hot rinse	30	0,8	9
(1) Eco 50°  50°	Normal soil. Crockery and cutlery	Yes**	Cold prewash Main wash up to 50°C 1 cold rinse 1 hot rinse Drying	160	1,05	16

(1) Testing programme for EN 50242 (see "Hints for Test Centres"). This programme, developed for the use of detergents with enzymes, allows you to achieve, with reduced consumption of energy the same cleaning results that would otherwise be obtained only with the 65°C programmes and conventional detergents. To compensate the lower temperature, the duration of washing and drying have been extended.

(2) The consumption values are intended as a guide and depends on the pressure and the temperature of the water and also by the variations of the power supply.

* When the **Half load** button is pressed, the prewash phase will be automatically excluded. In this case the detergent dose for the prewash phase is no longer necessary.

** When the **Half load** button is pressed, the duration of the washing phase is reduced.

Starting a washing programme

In this fully integrated appliance the controls are located on the top of the door. When selecting a programme, the door needs to be open.

1. Check that the baskets have been loaded correctly and that the spray arms can rotate freely

2. Turn on the water tap

3. Press the On/Off button

All the indicator lights of the programme selection buttons illuminate.

4. Setting and starting the programme

To select a programme, press the programme button of the washing programme you wish to select (see "Washing programmes" chart).

The corresponding indicator light remains illuminated while the other programme buttons indicator lights turn off.

Select if desired, the **half load** option (check that the option is available with the selected washing programme).

Close the dishwasher door, the programme will start automatically.

Setting and starting the programme with "delay start"

Press the button corresponding to the required programme (see "Washing programmes" chart).

Press the **delay start** button until the indicator light corresponding to the chosen hours flashes (3h, 6h or 9h).

Close the dishwasher door, the countdown starts automatically and will decrease with steps of 3 hours.

The opening of the door will interrupt the countdown.

Close the door; the countdown will continue from the point at which it was interrupted.

Once the delay start has elapsed the programme will start automatically.

NOTE: the start of the programme or the countdown of the delay start will occur only after the closure of the dishwasher door, until this moment it is possible modify the set made.

5. To interrupt or cancel a washing programme in progress

Interrupt or cancel a washing programme in progress ONLY if it's absolutely necessary

Attention! Hot steam may escape when the door is opened. **Open the door carefully.**

Interrupt a washing programme in progress

Open the dishwasher door; the programme will stop.

Close the door; the programme will start from the point at which it was interrupted.

Cancel a washing programme in progress

Open the dishwasher door.

Press simultaneously function buttons **2** and **3** for about 2 seconds, the indicator light of the button corresponding to the running programme starts flashing.

After about 2 seconds the indicator lights of all the programme buttons will illuminate indicating that the running programme has been cancelled and that the machine has returned to setting mode.

If a new washing programme will be selected, check that there is detergent in the detergent dispenser.

6. Cancelling the "delay start" in progress

Open the dishwasher door and press the **delay start** button until the indicator lights corresponding to the delay start hours (3h, 6h or 9h) turn off.

In this case the selected washing programme will start automatically after the closure of the door.

7. End of the washing programme

The dishwasher will automatically stop and an audible signal informs you of the end of the washing programme.

Open the dishwasher's door, leave it ajar and wait a few minutes before removing the dishes; in this way they will be cooler and the drying will be improved.

The **end of programme** indicator light is illuminated.

The indicator light of the programme just ended remains on.

Switch off the dishwasher by pressing the On/Off button.

8. Unloading the dishwasher

Hot dishes are sensitive to knocks. The dishes should therefore be allowed to cool down before removing from the appliance.

Empty the lower basket first and then the upper one; this will avoid water dripping from the upper basket onto the dishes in the lower one.

Water may appear on the sides and the door of the dishwasher as the stainless steel will eventually become cooler than the dishes.

When the washing programme has finished, it is recommended that the dishwasher is unplugged and the water tap turned off.

Maintenance and cleaning


Clean the external surfaces of the machine and control panel with a damp soft cloth. If necessary use only neutral detergents. Never use abrasive products, scouring pads or solvent (acetone, trichloroethylene etc....).

Ensure that the seals around the door, the detergent and rinse aid dispensers are cleaned regularly with a damp cloth.

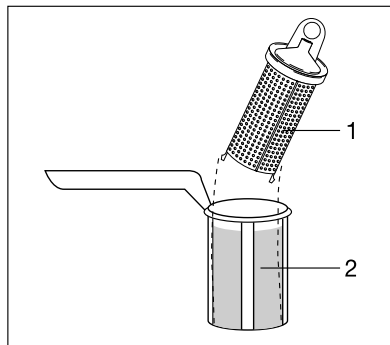
We recommend every 3 months to run a 65°C wash programme without dishes using detergent.

Cleaning the filters

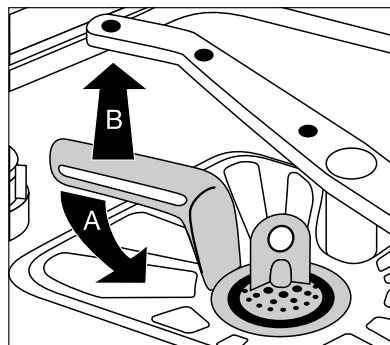
The filters must be checked and cleaned from time to time. Dirty filters will degrade the washing result.

 **Important! Before cleaning the filters ensure that the machine is switched off.**

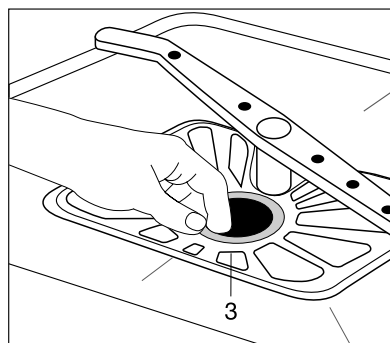
1. Open the door, remove the lower basket.
2. The dishwasher filter system comprises a coarse filter (1), a microfilter (2) and a flat filter (3).
Unlock the filter system using the handle on the microfilter, and remove.



3. Turn the handle about 1/4 a turn anticlockwise and remove.



4. Take hold of the coarse filter (1) by the handle with the hole and remove from the microfilter (2).
5. Clean all filters thoroughly under running water.
6. Remove the flat filter (3) from the base of the washing compartment and clean both faces thoroughly.



7. Put the flat filter (3) back in the base of the washing compartment.
8. Place the coarse filter (1) in the microfilter (2) and press together.
9. Put the filter combination in place and lock by turning the handle clockwise to the stop. During this process ensure that the flat filter does not protrude above the base of the washing compartment.

Attention!

Under no circumstances may the dishwasher be used without filters.

Incorrect repositioning and fitting of the filters will produce poor washing results.

NEVER try to remove the spray arms.

If residues of soil have clogged the holes in the spray arms, remove them with a cocktail stick.

Prolonged periods of non-operation

If you are not using the machine for any period of time you are advised to:

1. Unplug the appliance and then turn off the water.
2. Leave the door ajar to prevent the formation of any unpleasant smells.
3. Leave the inside of the machine clean.

Frost precautions

Avoid placing the machine in a location where the temperature is below 0°C. If this is unavoidable, empty the machine, close the appliance door, disconnect the water inlet pipe and empty it.

Moving the machine

If you have to move the machine (moving house etc....):

1. Unplug it.
2. Turn the water tap off.
3. Remove the water inlet and discharge hoses.
4. Pull the machine out together with the hoses.

Avoid over tilting the machine during transportation.

Something not working

Certain problems are due to the lack of simple maintenance or oversights, which can be solved with the help of the instructions given here, without calling out an engineer.

...a flashing fault code appears

The dishwasher will not start or stops during operation and a sequence of intermittent audible signals are heard.

Open the dishwasher's door.

The intervention of an alarm is indicated by:

- the continuous flashing of the indicator light of the running programme
- a combination of flashing and pauses of the **end of programme** indicator light (as described in the chart).

Carry out the following suggested corrective actions.

Fault code / malfunction	Possible cause	Solutions
- indicator light of the programme in progress is flashing - 1 intermittent audible signal - 1 flash of the "end of programme" indicator light The machine does not fill with water.	The water tap is blocked or furred with limescale.	Clean the water tap.
	The water tap is turned off.	Turn the water tap on.
	The filter (where present) in the threaded hose fitting at the water inlet valve is blocked.	Clean the filter in the threaded hose fitting.
	The water inlet hose has not been correctly laid or it is bent or squashed.	Check the water inlet hose connection.
- indicator light of the programme in progress is flashing - 2 intermittent audible signals - 2 flashes of the "end of programme" indicator light The dishwasher will not drain.	The sink spigot is blocked.	Clean out the sink spigot.
	The water drain hose has not been correctly laid or it is bent or squashed.	Check the water drain hose connection.
- indicator light of the programme in progress is flashing - 3 intermittent audible signals - 3 flashes of the "end of programme" indicator light	Anti-flood device is activated.	Close the water tap and contact your local Service Force Centre.

Once the checks have been carried out, to continue the programme press the button of the programme that was running before the intervention of the alarm and close the door. The programme will continue from the point at which it was interrupted. If the fault code reappears contact your local Service Force Centre.

For other combinations of fault codes not described in the above chart will appear, please contact your local Service Force Centre.

...there are problems when operating the dishwasher

Malfunction	Possible cause	Solutions
The programme does not start	The dishwasher door has not been properly closed.	Close the door.
	The main plug is not plugged in.	Insert the mains plug.
	The fuse has blown in the household fuse box.	Replace the fuse.
	Delay start has been selected.	If dishes are to be washed immediately, cancel the delay start.
There is a whistling noise during washing	The whistling is not a cause for concern.	Use a different brand of detergent.

...the wash results are not satisfactory

The dishes are not clean

- The wrong washing programme has been selected.
- The dishes were arranged in such a way as to stop water reaching all parts of the surface. The baskets must not be overloaded.
- The spray arms do not rotate freely due to wrong arrangement of the load.
- The filters in the base of the washing compartment are dirty or incorrectly positioned.
- Too little or no detergent has been used.
- Where there are limescale deposits on the dishes; the salt container is empty or the wrong level of the water softener has been selected.
- The drain hose connection is not correct.
- The salt container cap is not properly closed.

The dishes are wet and dull

- Rinse aid was not used.
- The rinse aid dispenser is empty.

There are streaks, milky spots or a bluish coating on glasses and dishes

- Decrease rinse aid dosing.

Water drops have dried onto glasses and dishes

- Increase rinse aid dosing.
- The detergent may be the cause. Contact the detergent manufacturer's consumer care line.

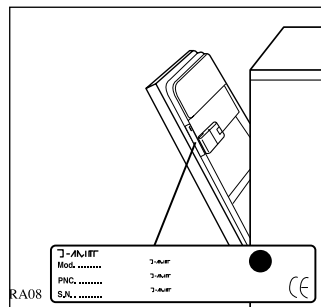
If after all these checks, the problem persists, contact your local Service Force Centre, quoting the model (Mod.), product number (PNC) and serial number (S.N.). This information can be found on the rating plate located on the side of the dishwasher door (see picture).

So that you always have these numbers at hand, we recommend you to make a note of them here:

Mod. :

PNC :

S.N. :



Service and spare parts

This product should be serviced by an authorised service engineer, and only genuine spare parts should be used. Under no circumstances should you attempt to repair the machine yourself.

Repairs carried out by inexperienced persons may cause injury or serious malfunctioning. Contact your local Service Force Centre.

Always insist on genuine spare parts.

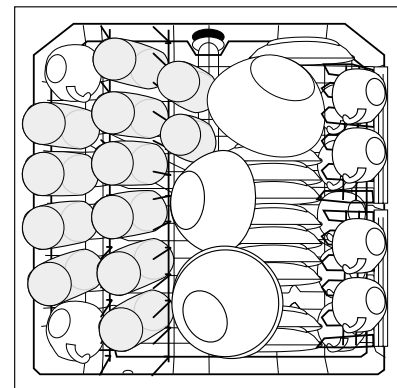
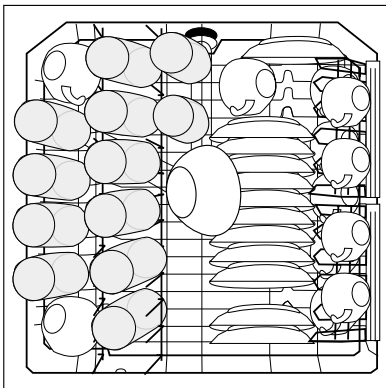
Hints for test centres

Testing in accordance with **EN 60704** must be carried out with appliance fully loaded and using the test programme (see "Washing programmes" chart).

Test in accordance with **EN 50242** must be carried out when the salt container and rinse aid dispenser have been filled with salt and rinse aid respectively and using the test programme (see "Washing programmes" chart).

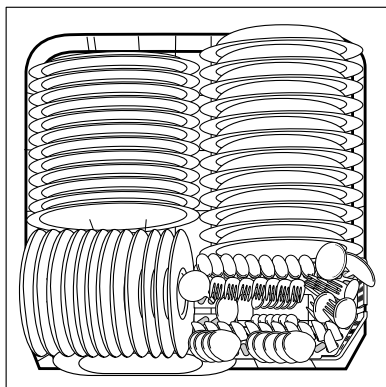
Load:	12 standard place settings
Rinse aid setting:	position 4 (Type III)
Detergent dosage :	5 g + 25 g (Type B)

Upper basket *)

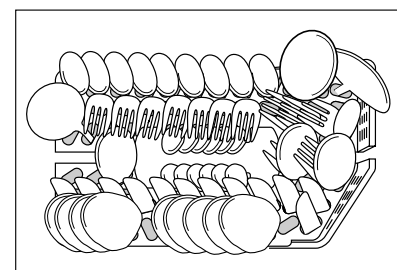


*) If there are cup racks in place on the left-hand side or the cutlery tray is in place, remove them.

Lower basket with cutlery basket *)



Cutlery basket



*) If there are cup racks in place on the left-hand side or if beer glass holders are in place, remove them.

Nederland

Home Product Service (ATAG)

Postbus 249

6920 AE DUIVEN

tel: 0900 - 5550001

fax: 026 - 8821444

België

ATAG België NV

9420 Erpe-Mere

tel: 053 - 806208

fax: 053 - 806057



Postbus 1033 • 6920 BA Duiven • Nederland