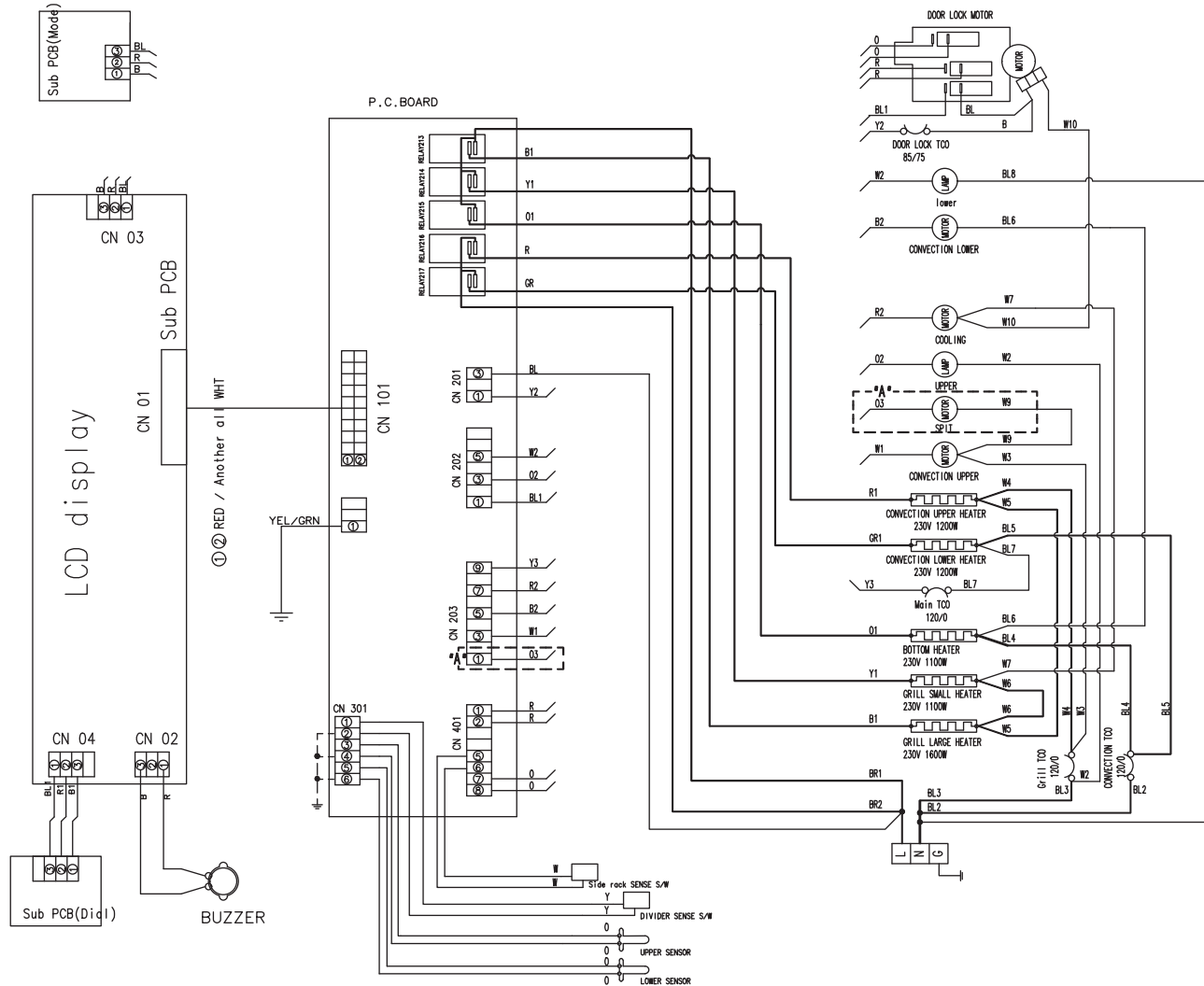


WIRING DIAGRAM ; TWIN CONVECTION (LCD PYROLYTIC)

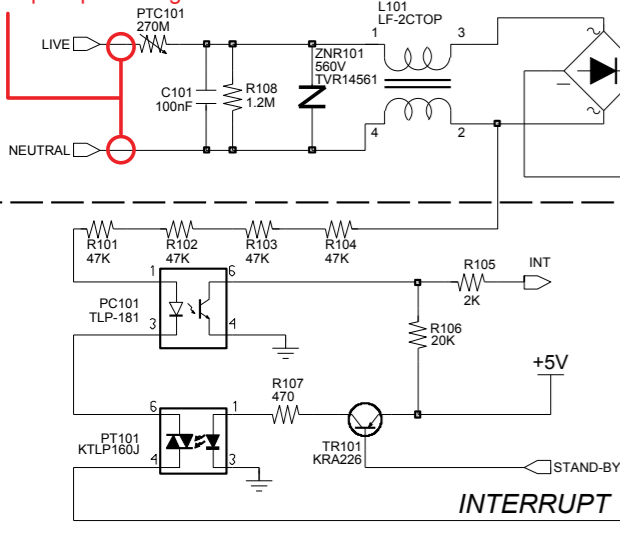
SYM	COLOR
B	BLACK
W	WHITE
BL	BLUE
R	RED
G	GREEN
O	ORANGE
Y	YELLOW
BR	BROWN
P	PINK
GR	GRAY



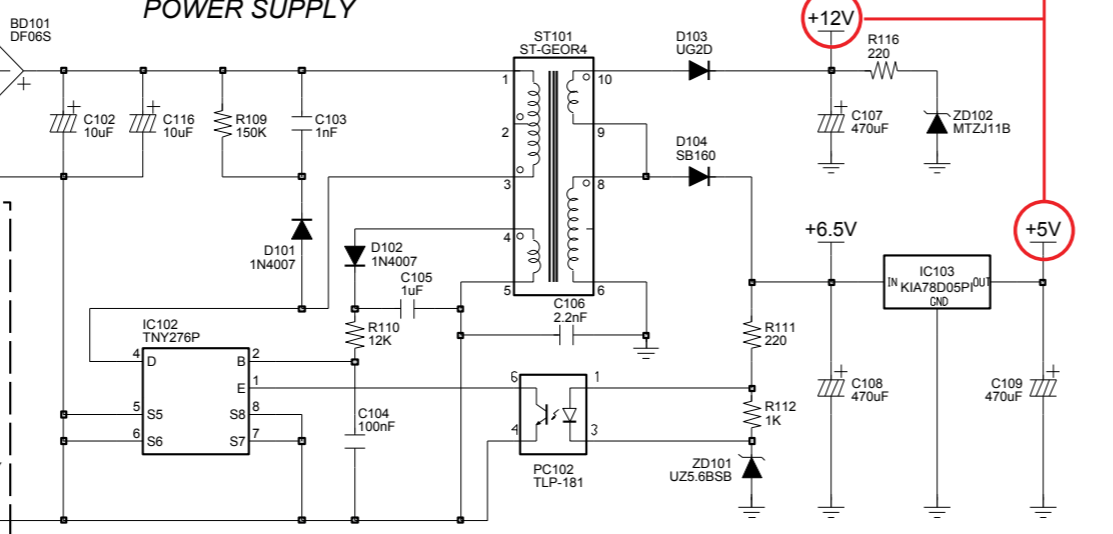
A AFTER CHECK MODEL TYPE(WITH OR WITHOUT SP11)

Smpls Output Check Point

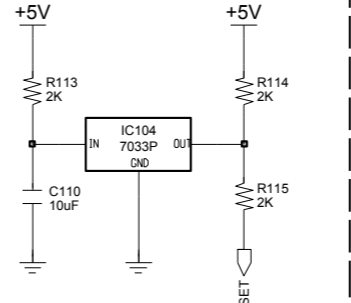
Smpls Input Voltage Check Point



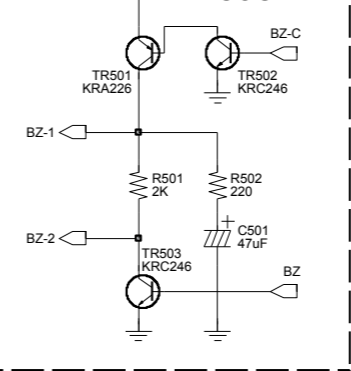
POWER SUPPLY



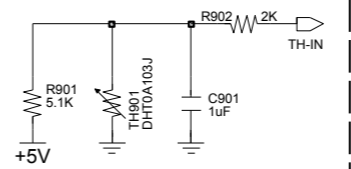
RESET



SOUND



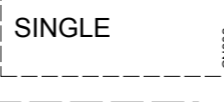
THERMISTOR



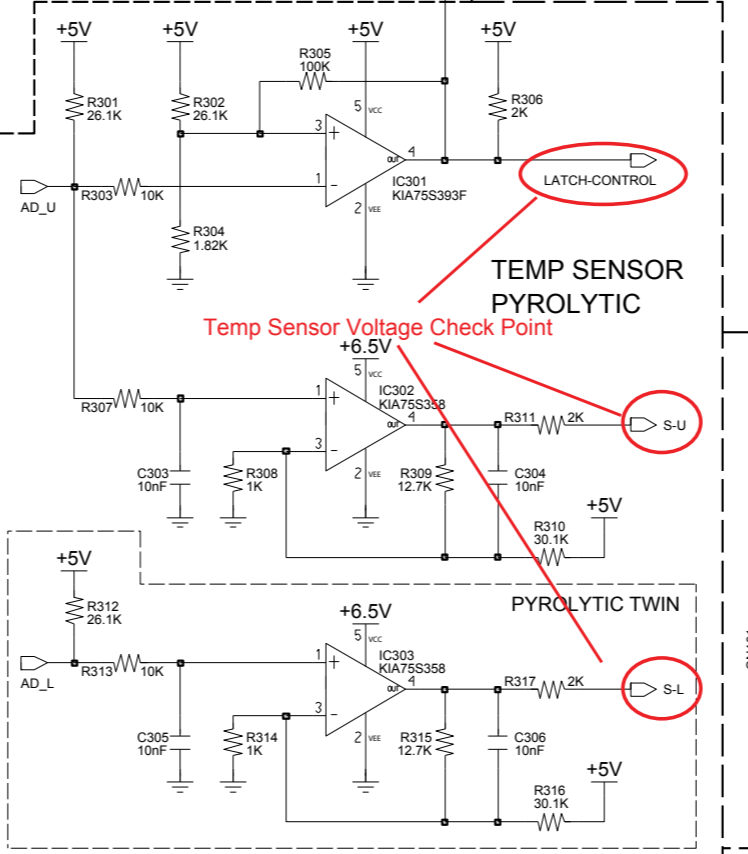
TEMP SENSOR TWIN



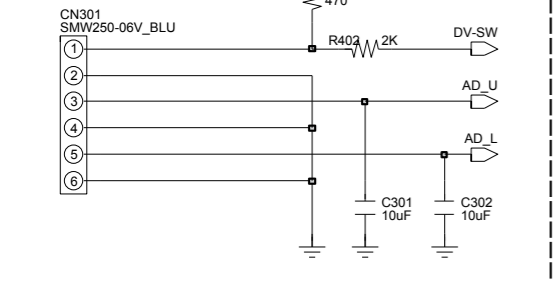
TEMP SENSOR SINGLE



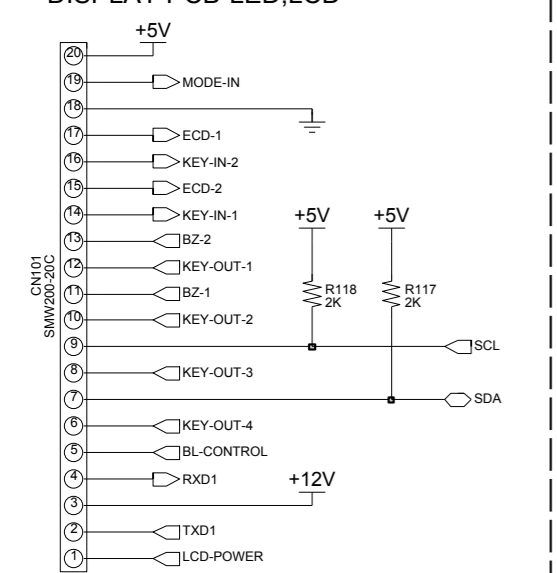
TEMP SENSOR PYROLYTIC



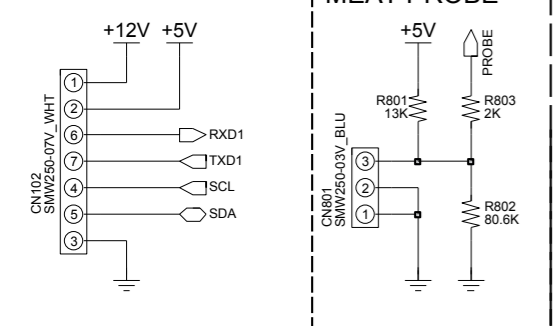
DIVIDER & TEMP SENSOR -TWIN & PYROLYTIC



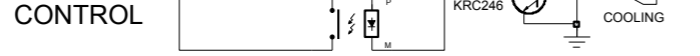
DISPLAY PCB-LED,LCD



MEAT PROBE



RELAY CONTROL



Safety Relay Check Point

Relay Operation TR Check Point

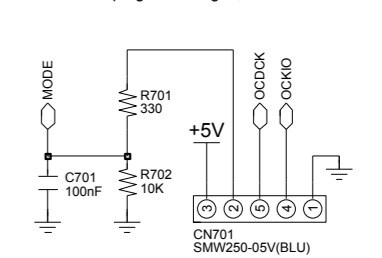
IC101 TMP89FS60FG

5	VDD	37	RY01
21	AVDD	53	LOWER-FAN
22	VAREF	52	UPPER-FAN
		38	GRILL-MAIN
		39	GRILL-SUB
		40	BOT-HT
		42	UPPER-HT
		43	LOWER-HT
		7	
		11	
		57	STAND-BY
		56	RXD1
		55	TXD1
		44	LATCH-OPEN
		45	LATCH-CLOSE
		47	UPPER-LP
		48	LOWER-LP
		50	AIR-IN
		54	COOLING
		51	SPIT
		49	BZ-C
		63	KEY-OUT-1
		62	KEY-OUT-2
		61	KEY-OUT-3
		60	KEY-OUT-4
		64	KEY-IN-1
		6	KEY-IN-2
		32	DV-SW
		33	LATCH-1
		34	LATCH-2
		35	LATCH-3
		36	DOOR-SW
		28	S-U
		25	S-L
		29	TH-IN
		24	PROBE
		30	AD-IN-U
		31	AD-IN-L

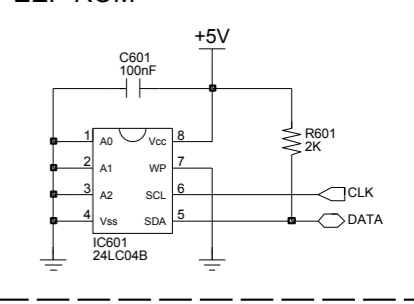
Micom Reset Check Point

On board writing

When MICOM program changed, insert connector.



EEP ROM



LATCH MODULE(PYROLYTIC)

