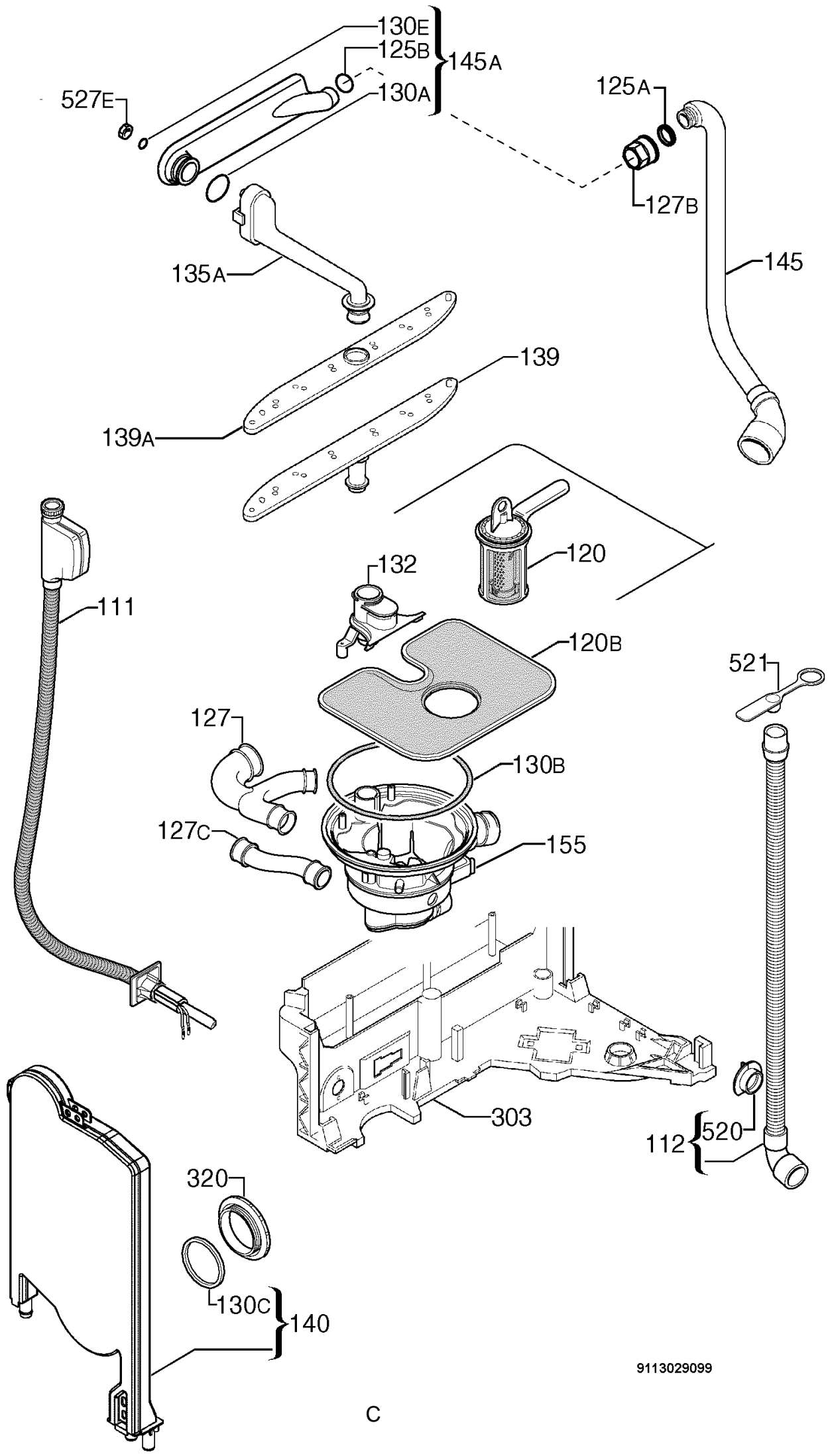
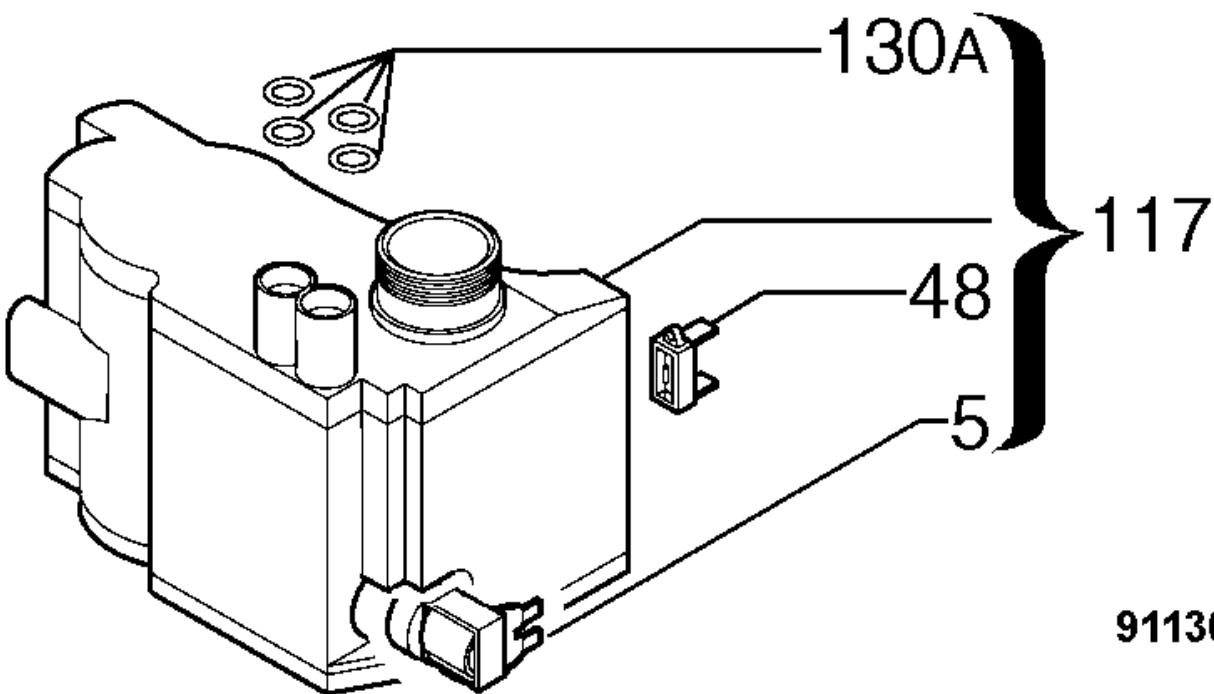
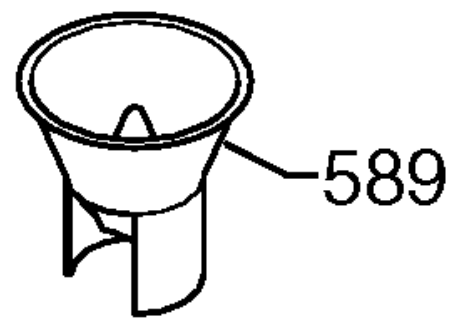
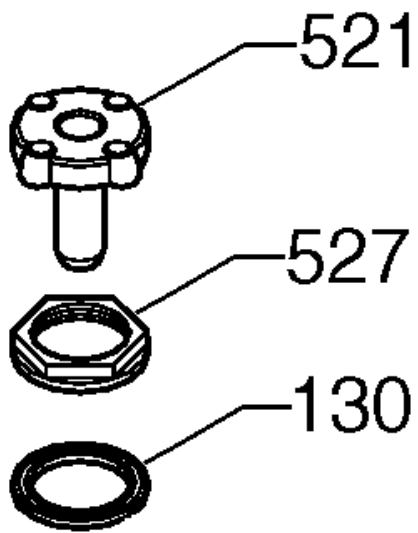
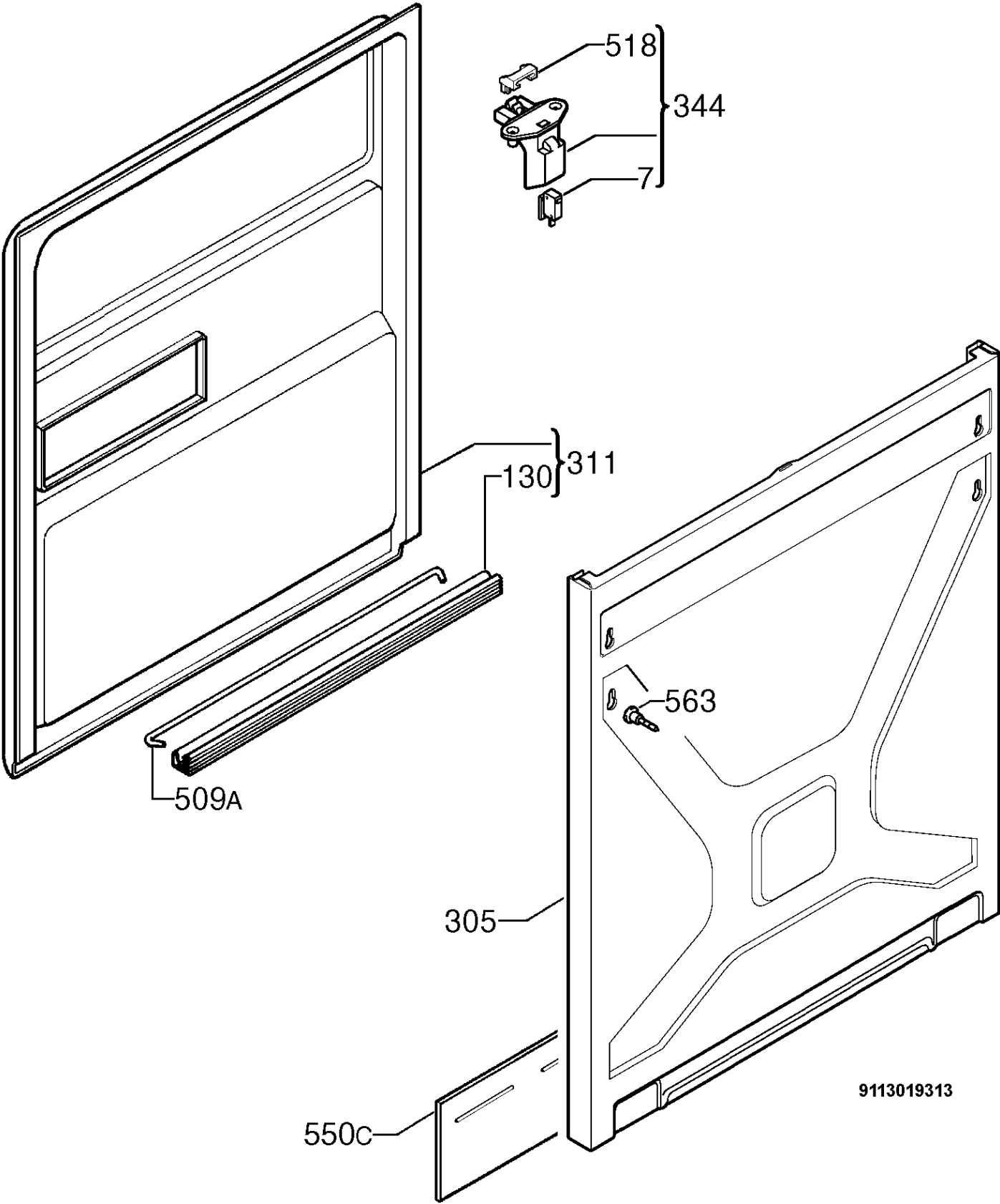


9113037982

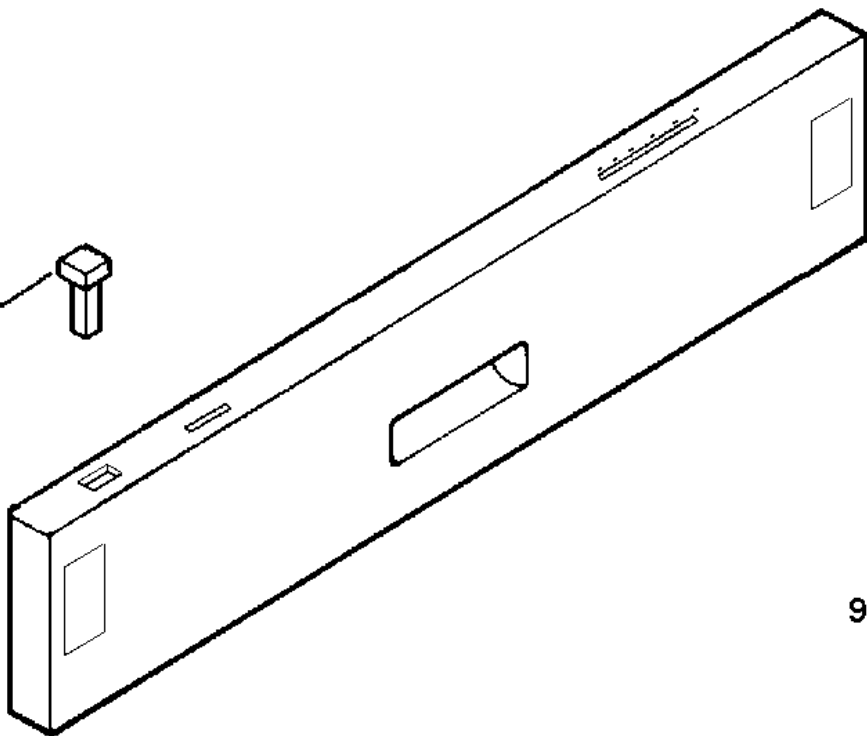




9113021581



525



The image shows a perspective view of a long, thin rectangular tool. It has a central handle with a semi-circular end. On either side of the handle, there is a rectangular cutout. At the far left end, there is another rectangular cutout. A small bolt-like component with a hexagonal head and a threaded shaft is shown to the left of the tool. Reference numeral 525 points to this bolt. Reference numeral 510 points to the right end of the tool. The number 9113032594 is located in the bottom right corner.

510

9113032594

